

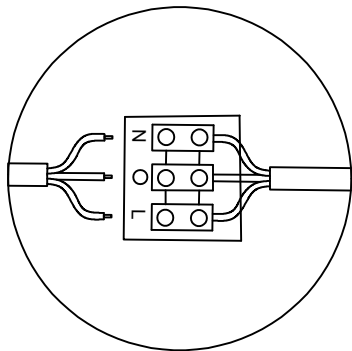
Cipher Pendant Light-F

1: Fix the hanging board to the ceiling

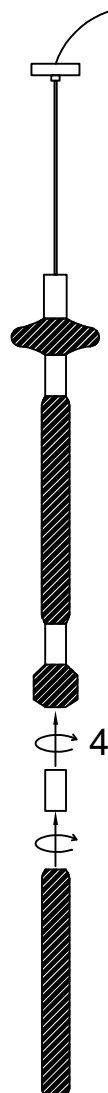
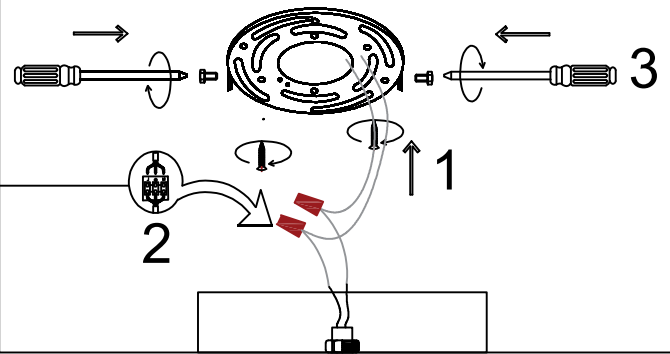
2: Connect the lamp wires to the reserved wires

3: Fix the ceiling tray and hanging board from the side

4: Install the lampshade



2



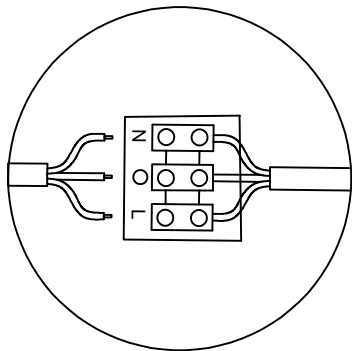
Cipher Pendant Light-G

1: Fix the hanging board to the ceiling

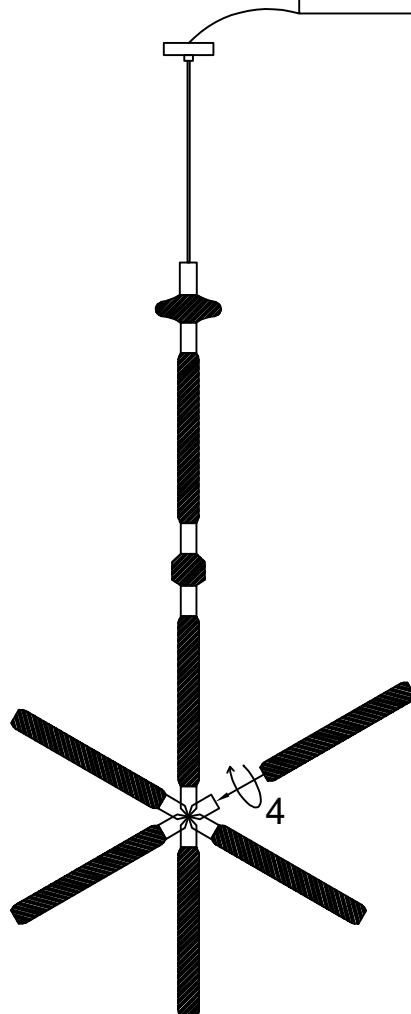
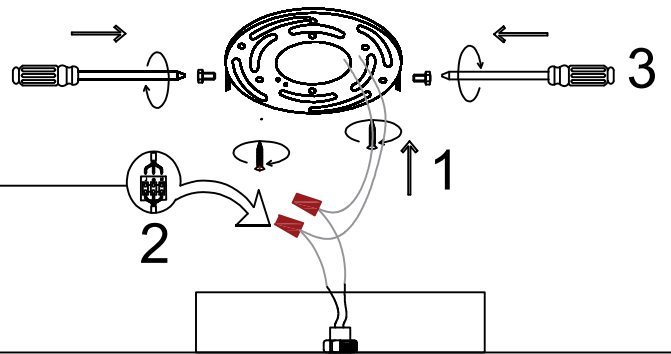
2: Connect the lamp wires to the reserved wires

3: Fix the ceiling tray and hanging board from the side

4: Install the lampshade



2



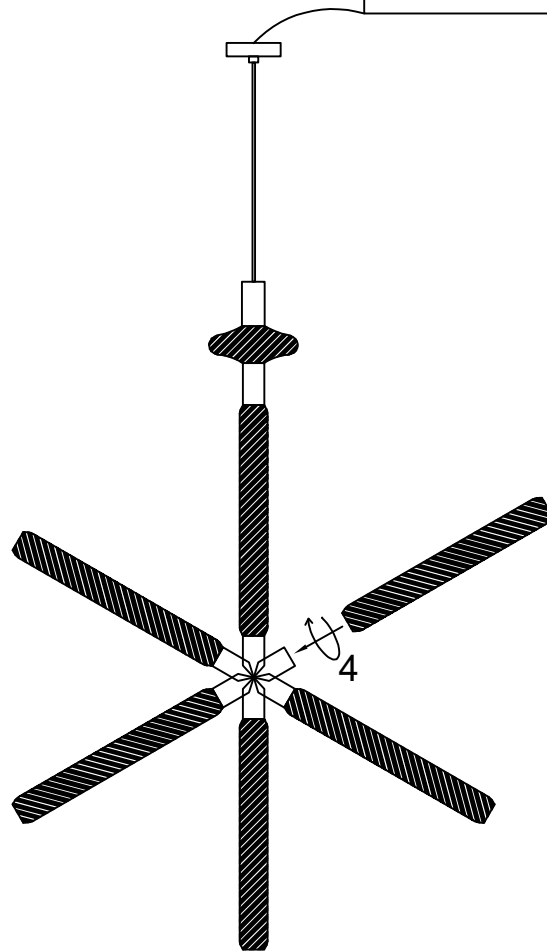
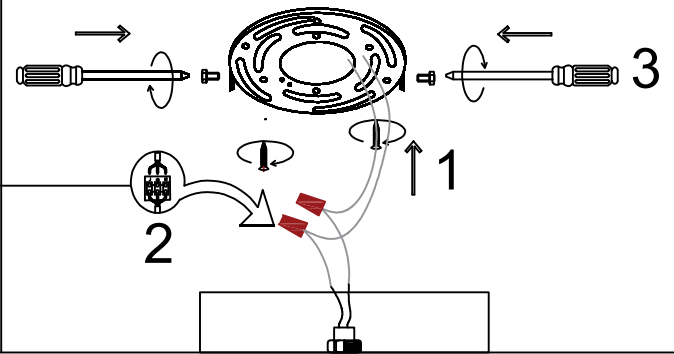
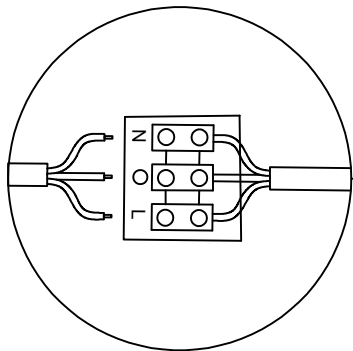
Cipher Pendant Light-H

1: Fix the hanging board to the ceiling

2: Connect the lamp wires to the reserved wires

3: Fix the ceiling tray and hanging board from the side

4: Install the lampshade



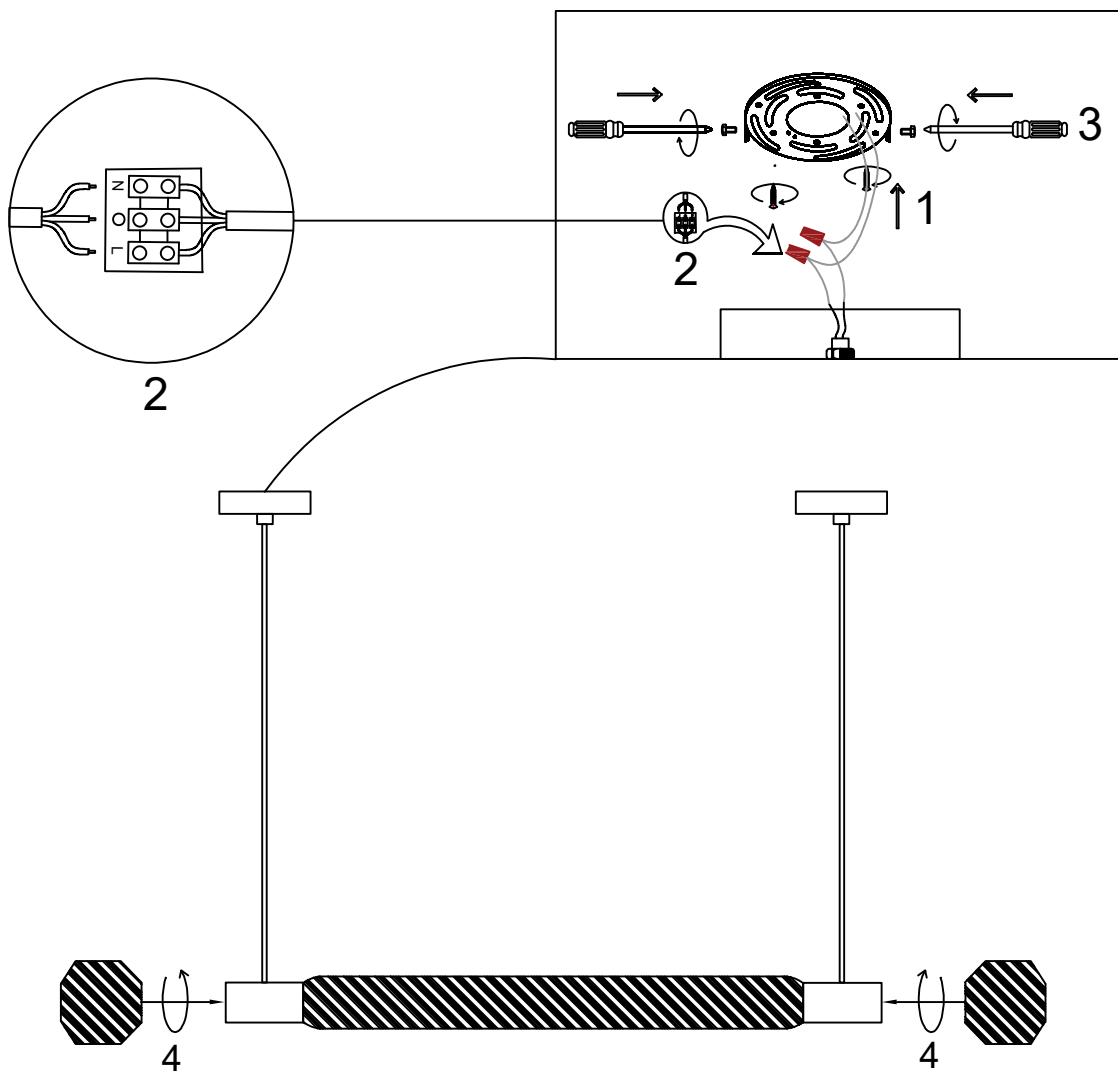
Cipher Pendant Light-I

1: Fix the hanging board to the ceiling

2: Connect the lamp wires to the reserved wires

3: Fix the ceiling tray and hanging board from the side

4: Install the lampshade



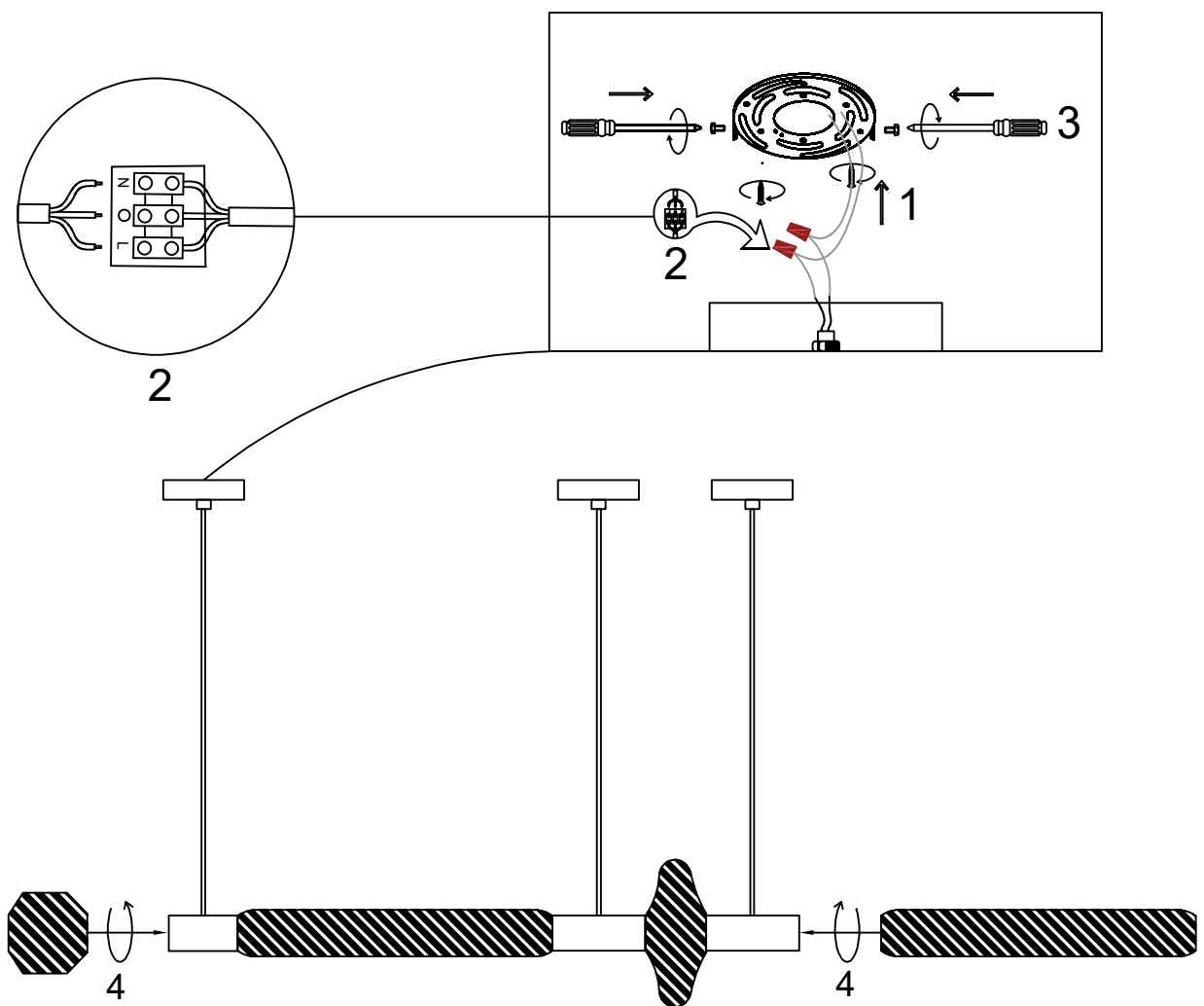
Cipher Pendant Light-J

1: Fix the hanging board to the ceiling

2: Connect the lamp wires to the reserved wires

3: Fix the ceiling tray and hanging board from the side

4: Install the lampshade



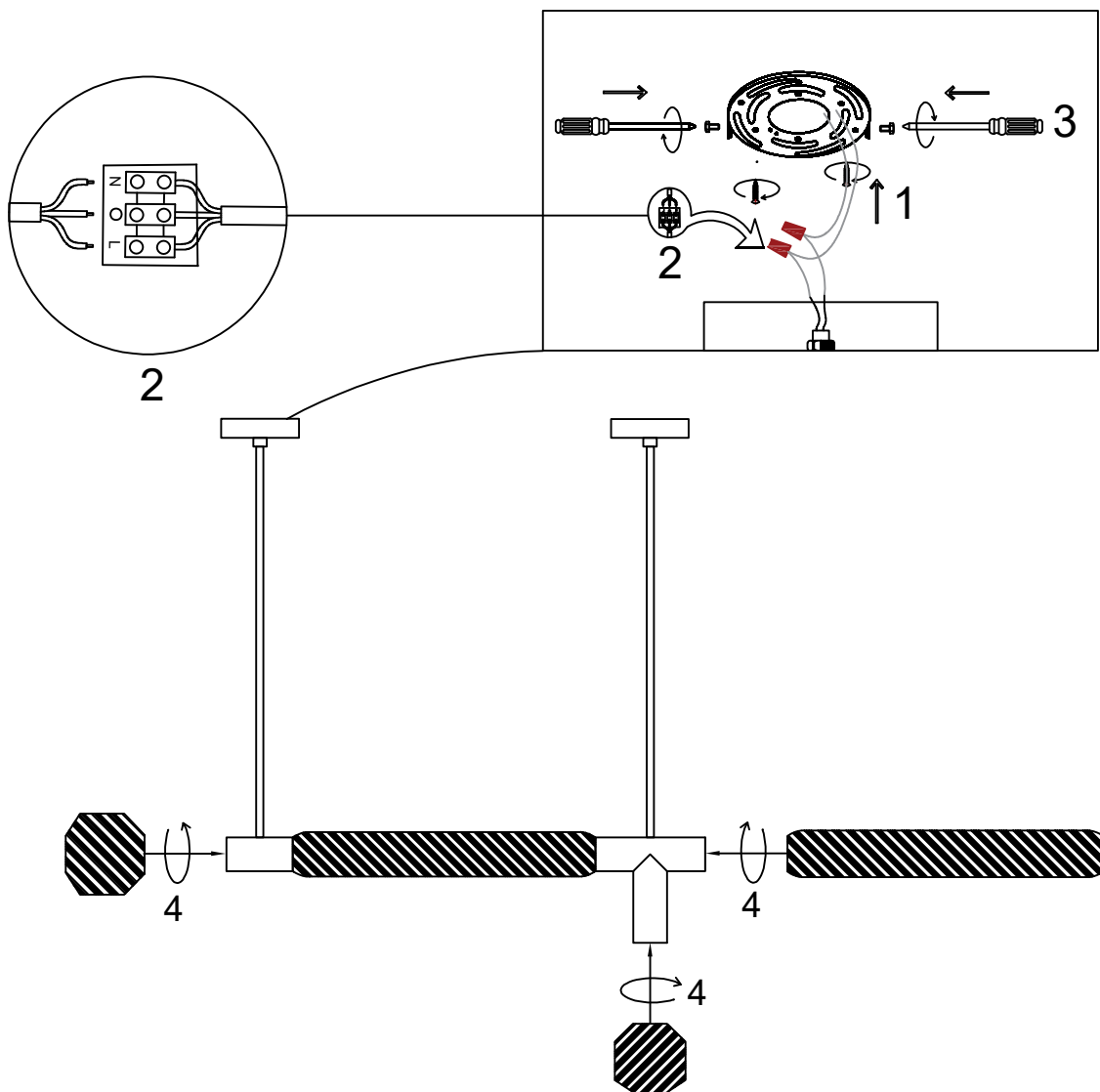
Cipher Pendant Light-K

1: Fix the hanging board to the ceiling

2: Connect the lamp wires to the reserved wires

3: Fix the ceiling tray and hanging board from the side

4: Install the lampshade



Cipher Pendant Light-L

1: Fix the hanging board to the ceiling

2: Connect the lamp wires to the reserved wires

3: Fix the ceiling tray and hanging board from the side

4: Install the lampshade

