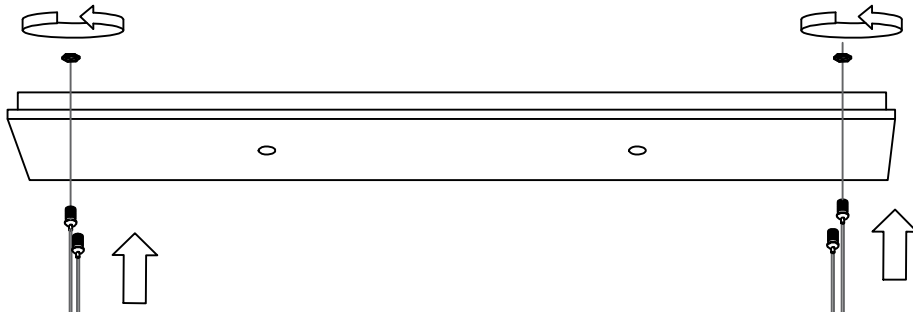
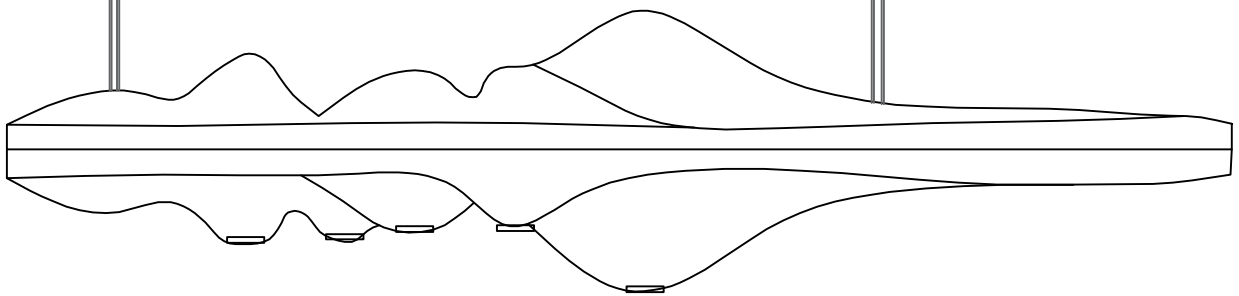


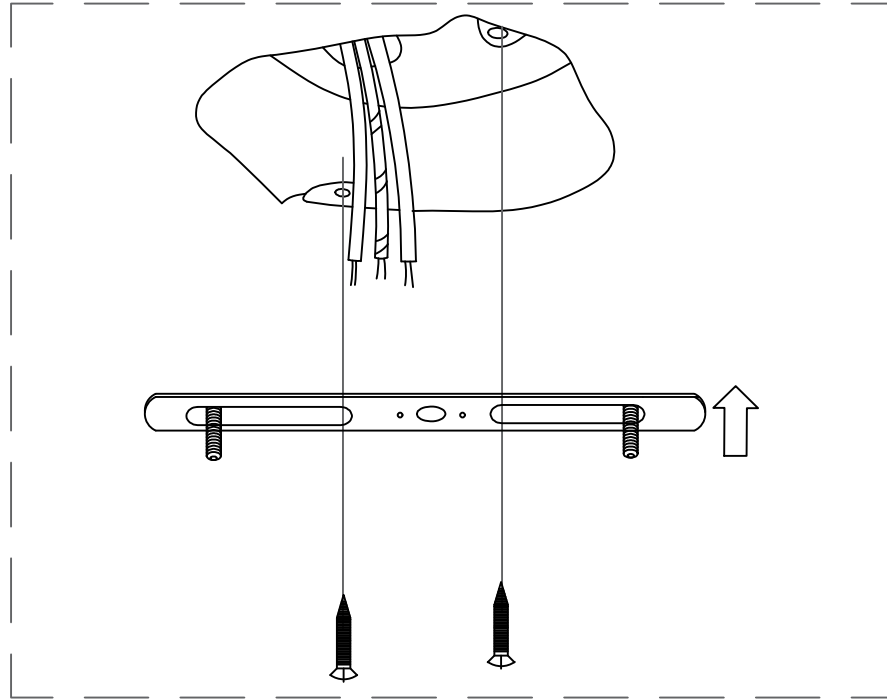
1



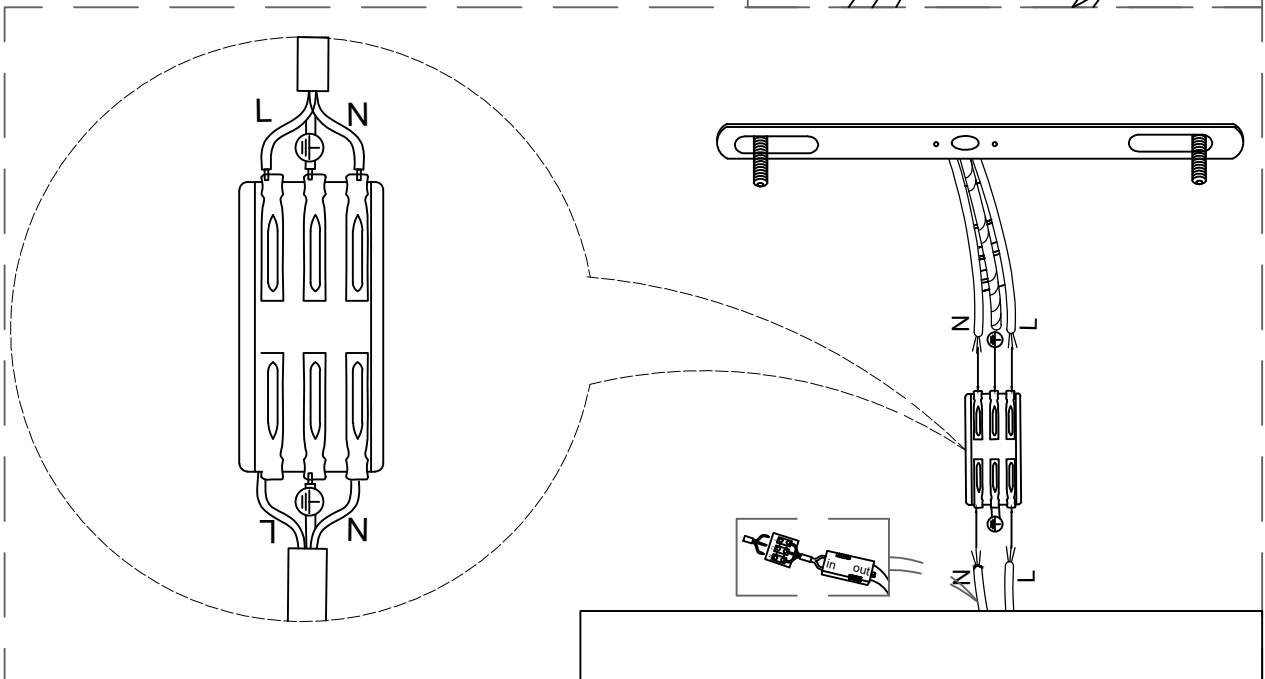
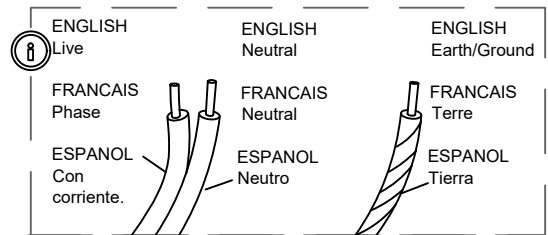
Adjust the length of the wire rope (the movable lock buckle can move up and down. Press the movable plug upward with your hand to freely adjust the length of the wire. When it is adjusted to the ideal length, you can let go and the lock buckle will automatically lock the wire rope)



2

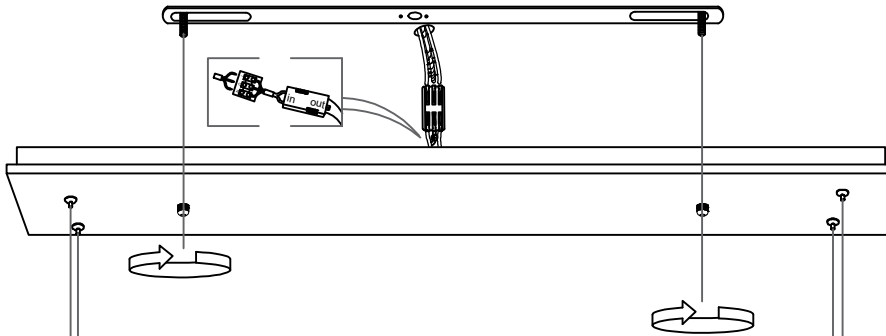


Fasten the hanging board to the ceiling with screws



The wires in the home are connected to the wires in the lamps through the wire terminals

3



Use hand-made nuts to fix the lamp body on the hanging board

