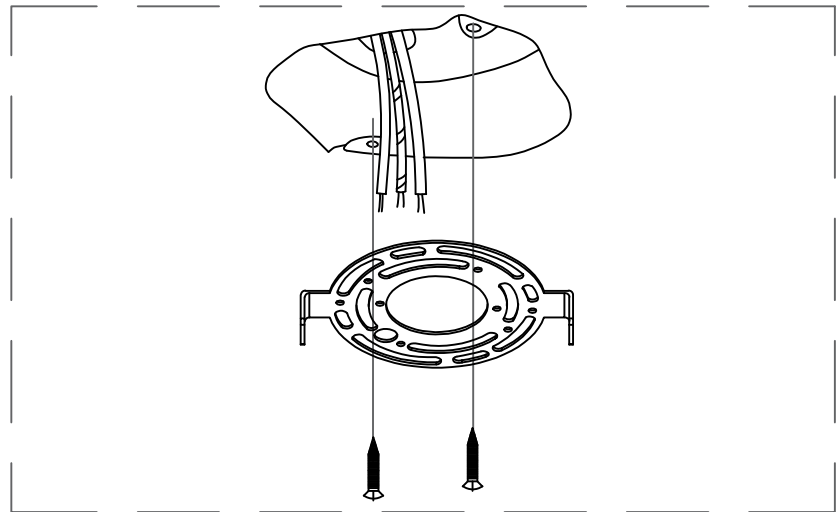
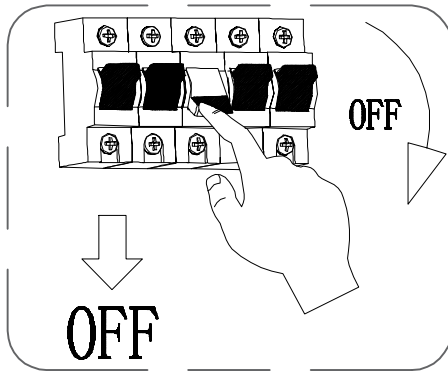
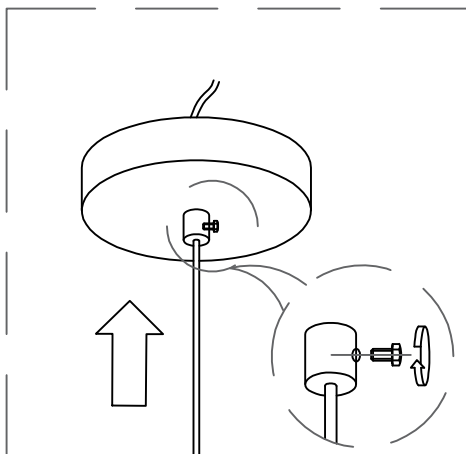


2

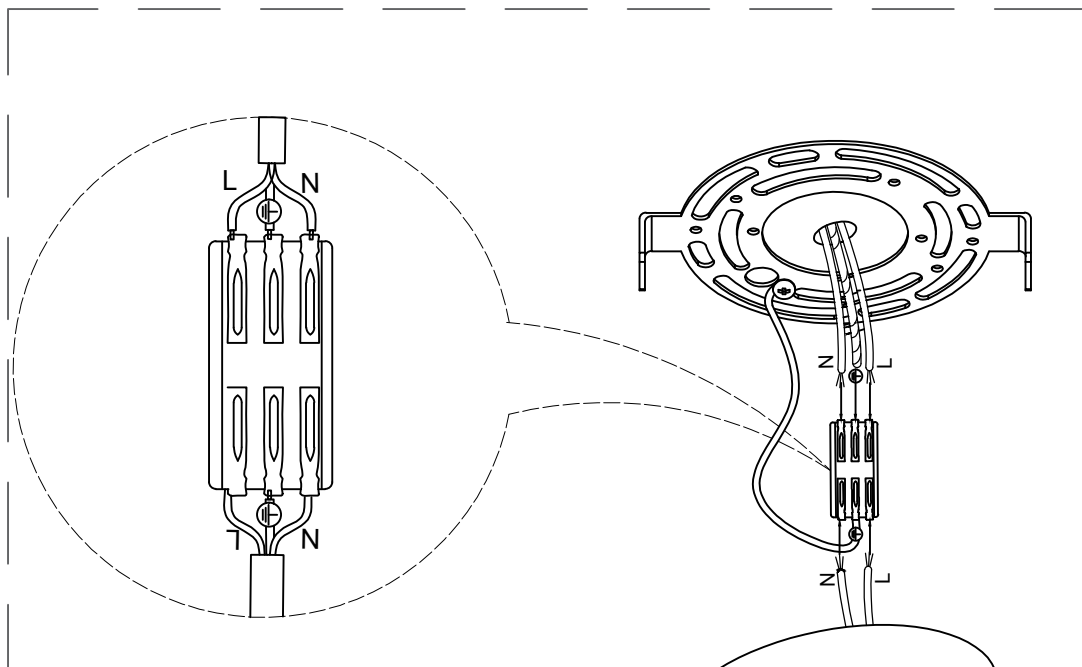


Fasten the hanging board to the ceiling with screws



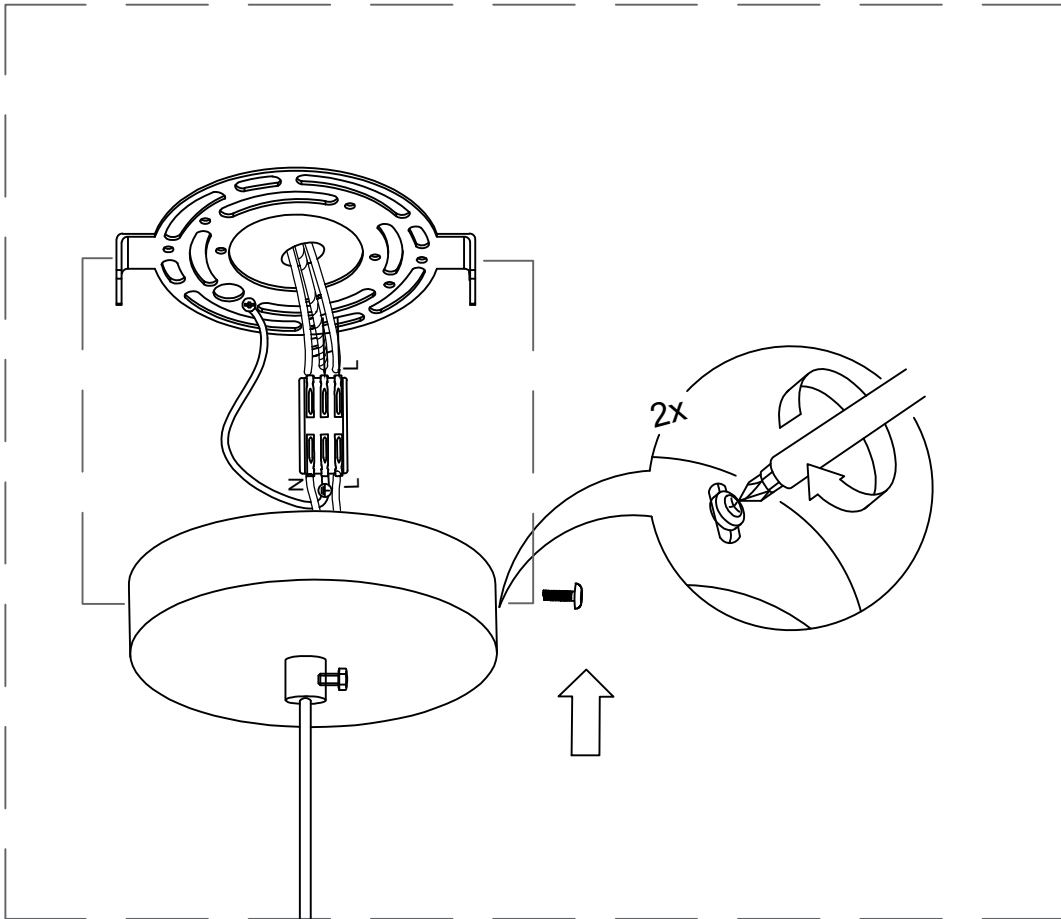
After adjusting the line length, fix it with screws.

3



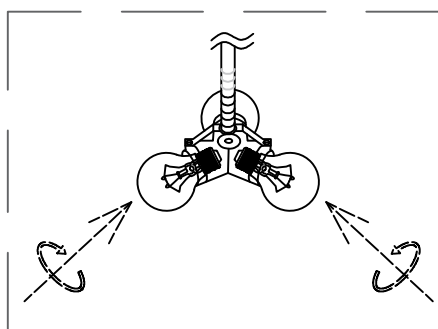
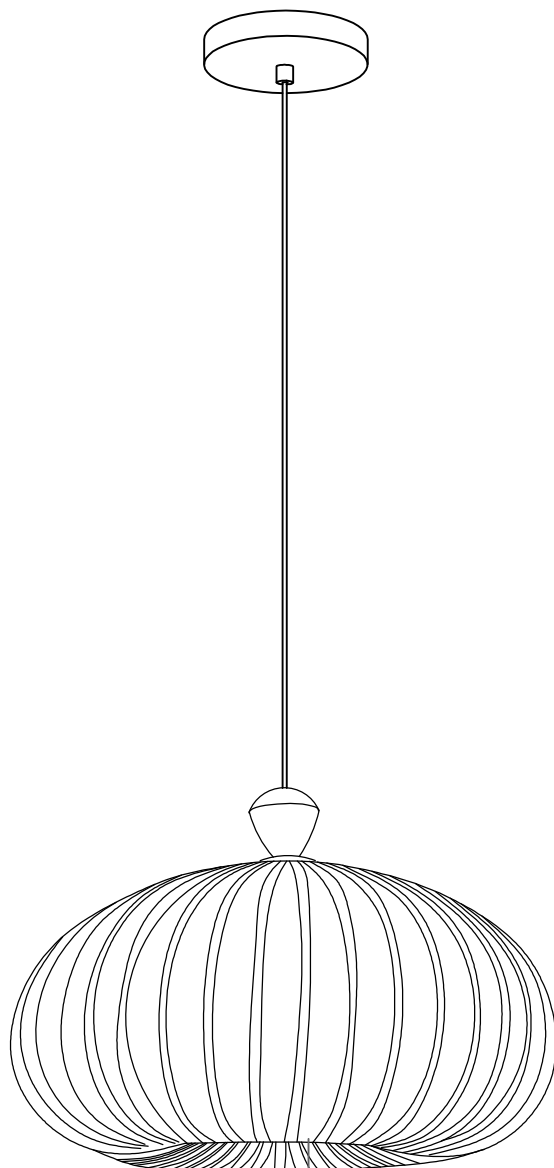
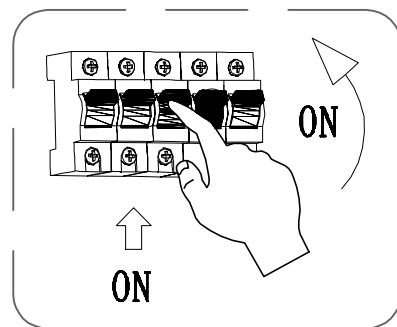
The wires in the home are connected to the wires in the lamps through the wire terminals

4



The side screws fix the lamp body to the ceiling plate

5



Install the light source