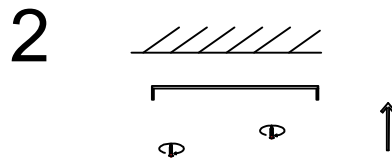
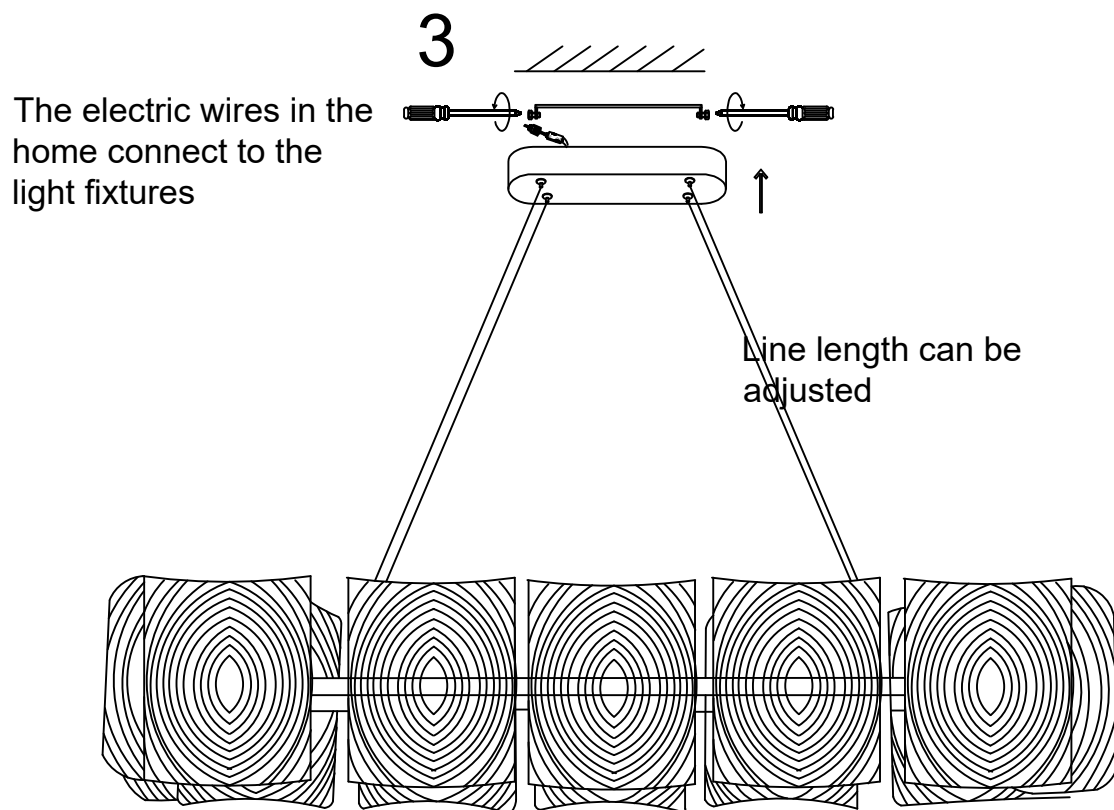


Drill holes in the ceiling and insert expansion screws



Install the hanging plate on the ceiling



The electric wires in the home connect to the light fixtures

Line length can be adjusted

Install the lamp body on the hanging plate

Note: Please turn off the power before installing the lamp