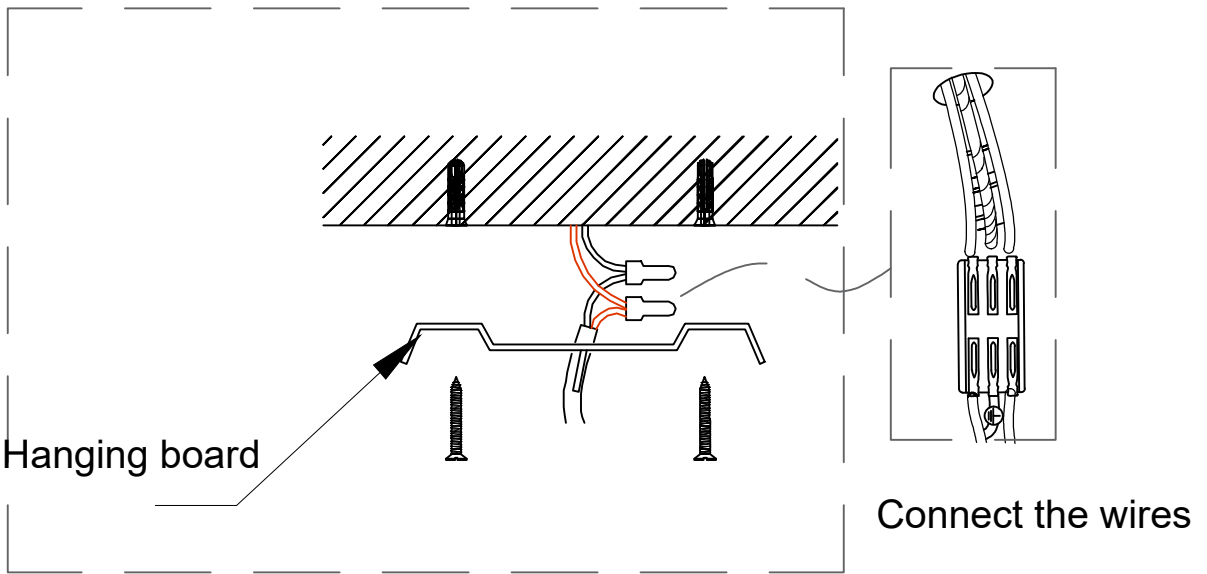
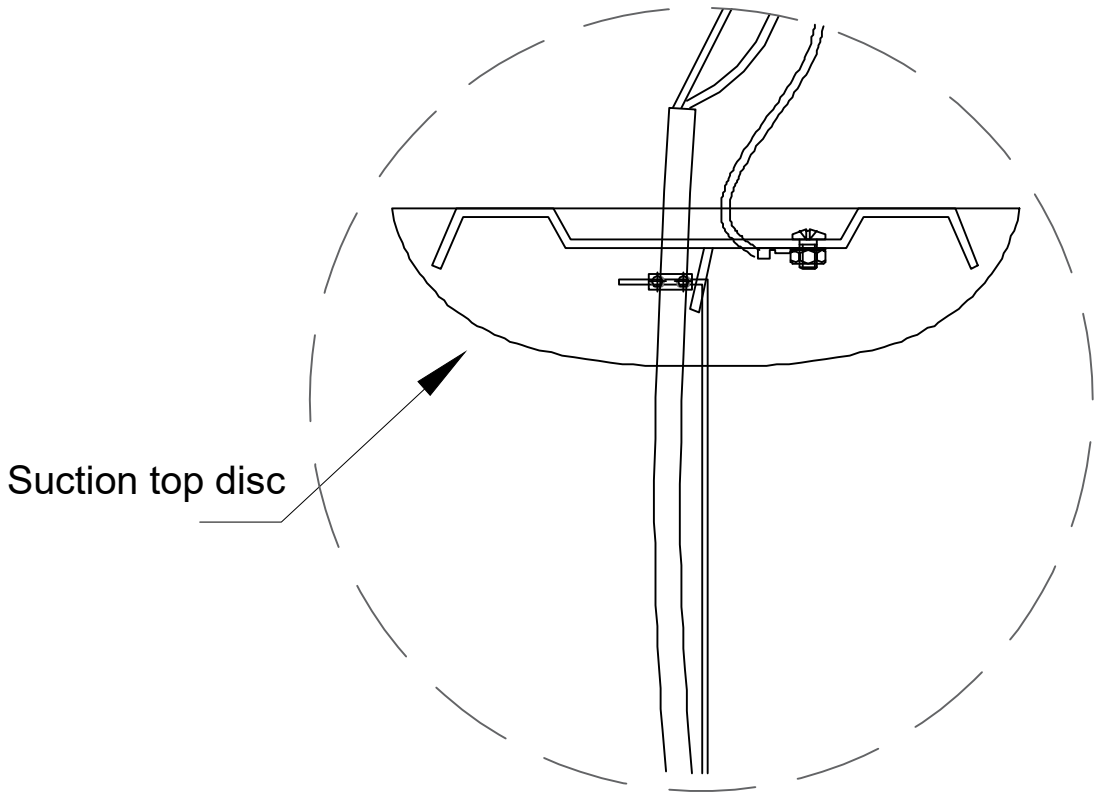


1

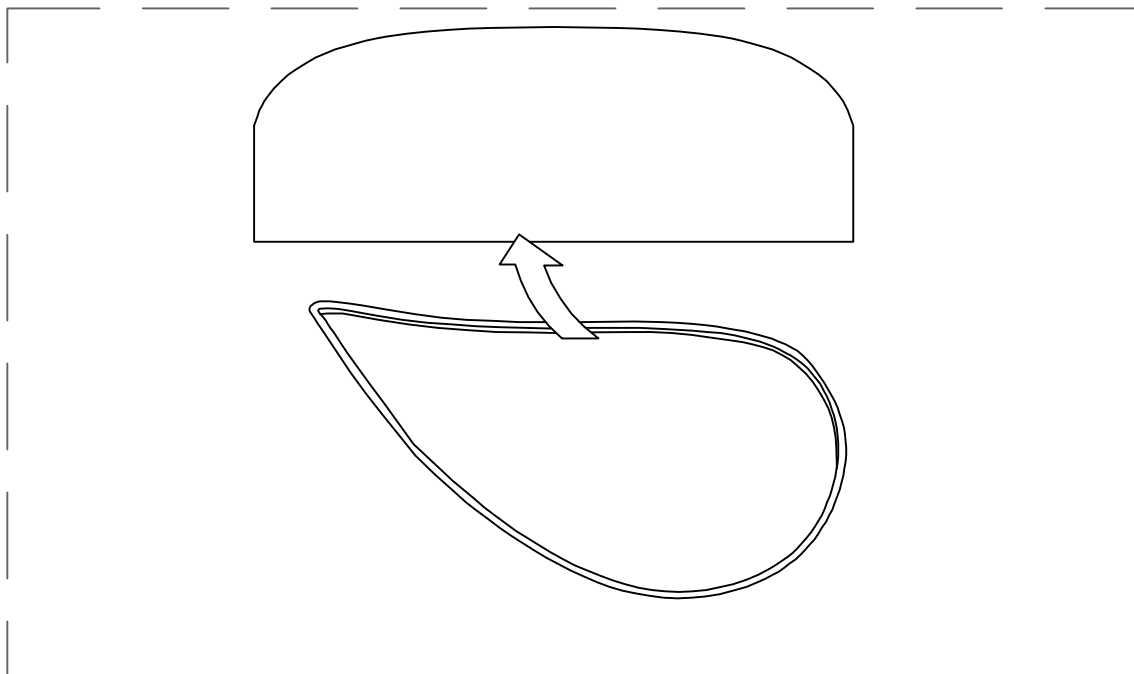
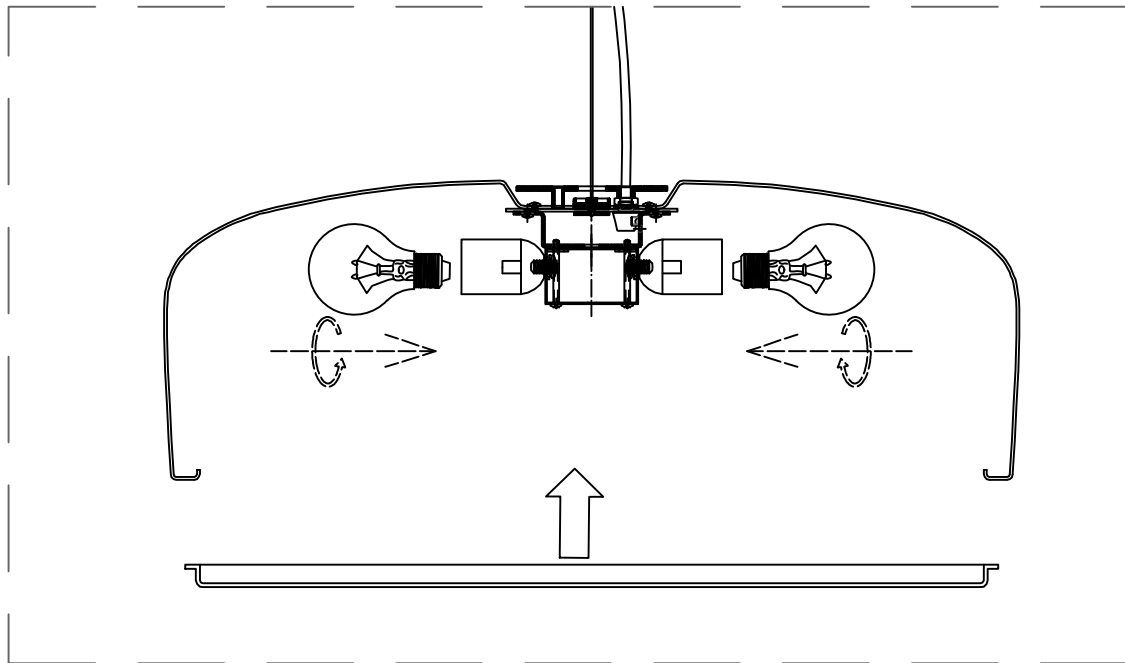


Screw the hanging board into the ceiling



The ceiling disc is stuck on the hanging plate

2



The lampshade is slightly bent and put into the lamp body