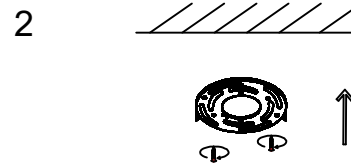
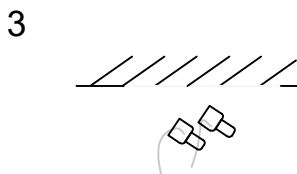


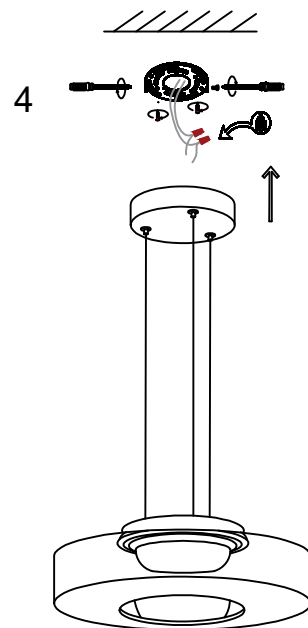
Drill holes in the ceiling and  
insert expansion screws



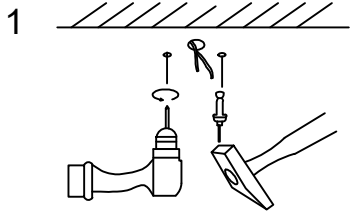
Install the hanging plate on  
the ceiling



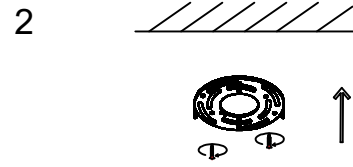
The electric wires in the home  
connect to the light fixtures



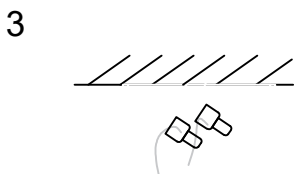
Install the lamp body on the  
hanging plate



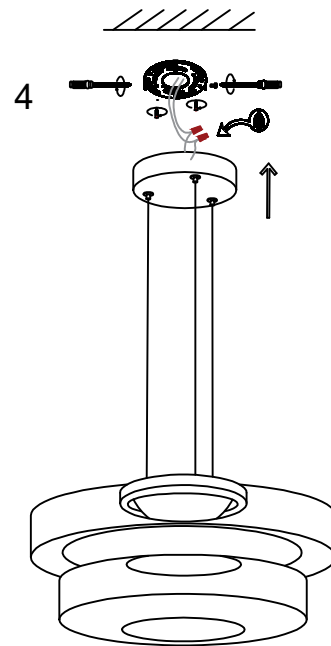
Drill holes in the ceiling and insert expansion screws



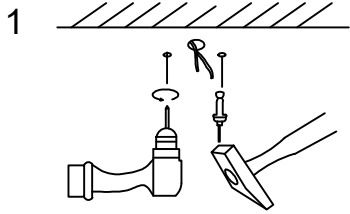
Install the hanging plate on the ceiling



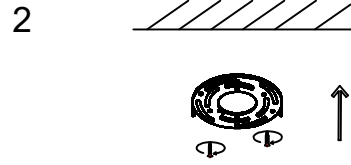
The electric wires in the home connect to the light fixtures



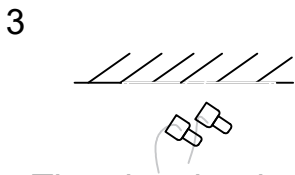
Install the lamp body on the hanging plate



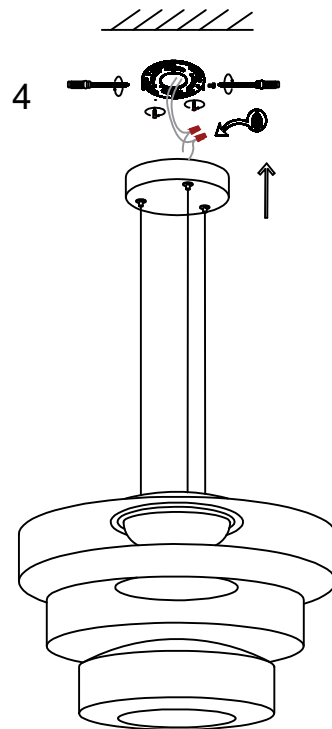
Drill holes in the ceiling and insert expansion screws



Install the hanging plate on the ceiling



The electric wires in the home connect to the light fixtures



Install the lamp body on the hanging plate