

1

IMPORTANT SAFETY INSTRUCTIONS

INSTALLATION BY A LICENSED ELECTRICIAN IS STRONGLY

Note: Turn off the power to the main circuit panel before starting.



HEAVY LOAD WARNING

Do not install on non-load-bearing ceilings; it must be directly connected to the main structure of the house.



WARNINGS

When unpacking, be careful not to pull wires, as a bad connection may result. Do not connect electricity until your fixture is fully assembled. To reduce the risk of fire, electrical shock, or personal injury, always turn off fixture and allow it to cool prior to replacing the lightbulb. Do not touch or look directly at the bulb when fixture is illuminated. Keep flammable materials away from lit bulb.



WARNINGS

Choking hazard. Keep the power cord at least 3 feet away from cribs, bassinets, and toddler beds.



WIRING SAFETY NOTES

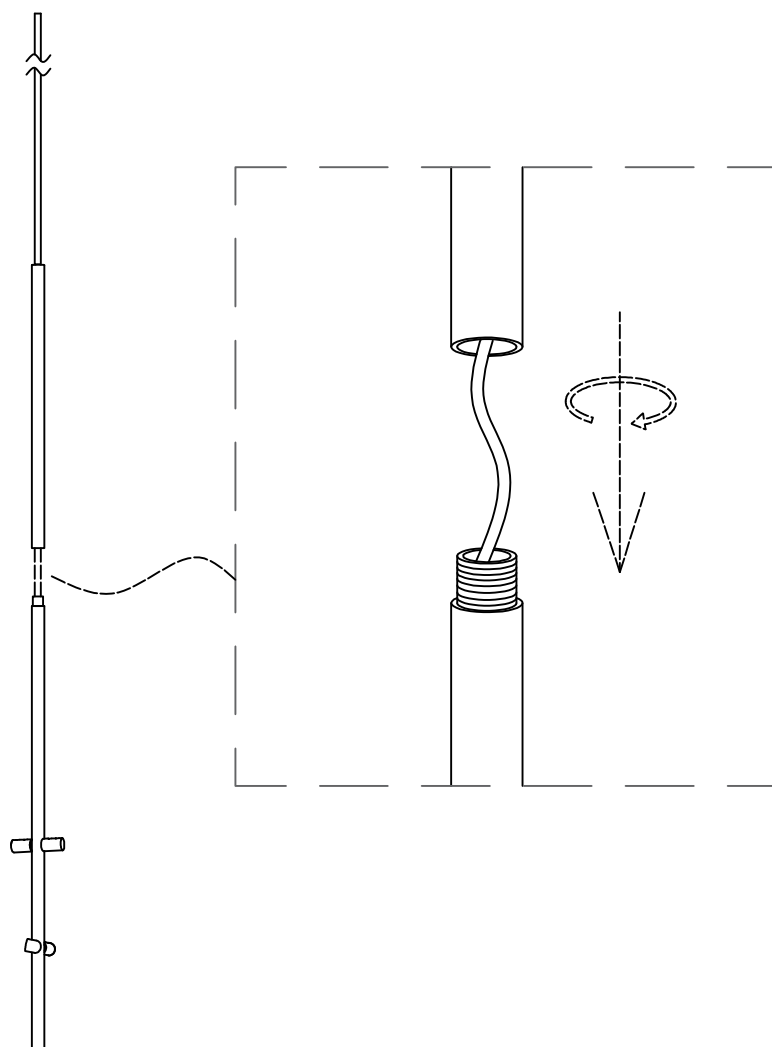
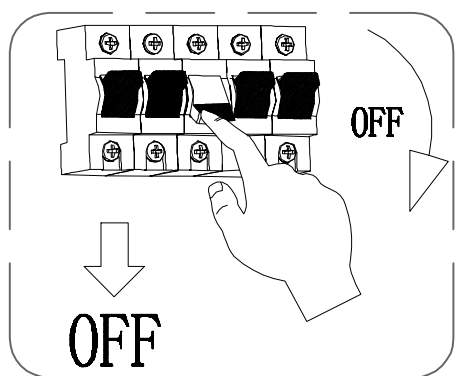
When connecting wires, please follow the standard color coding: black to black (live), white to white (neutral), and green/bare copper wire to ground.

RECOMMENDED

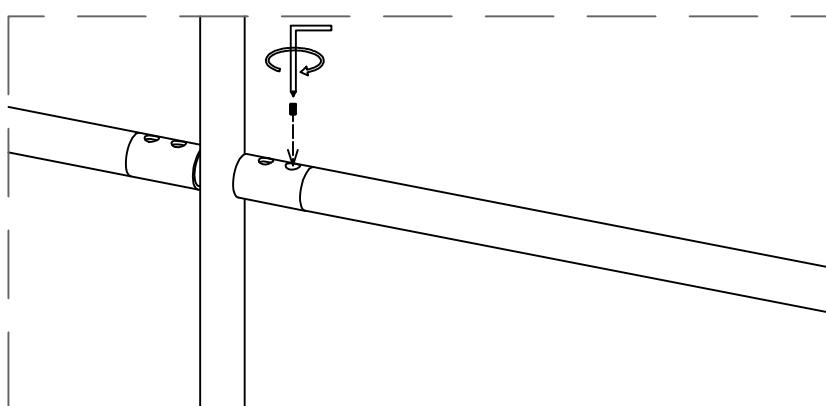
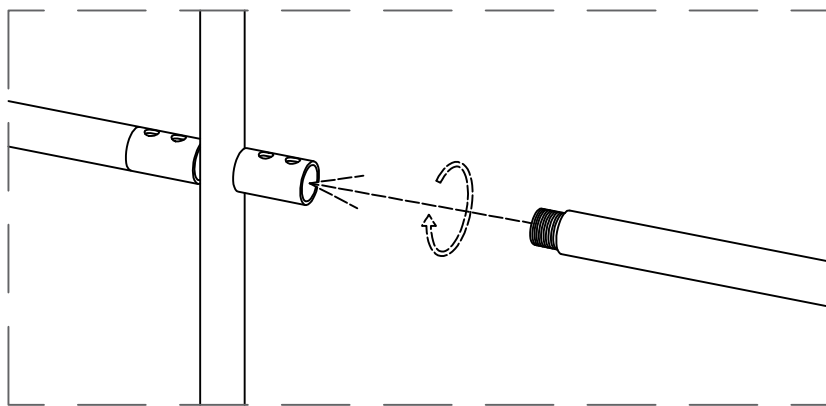
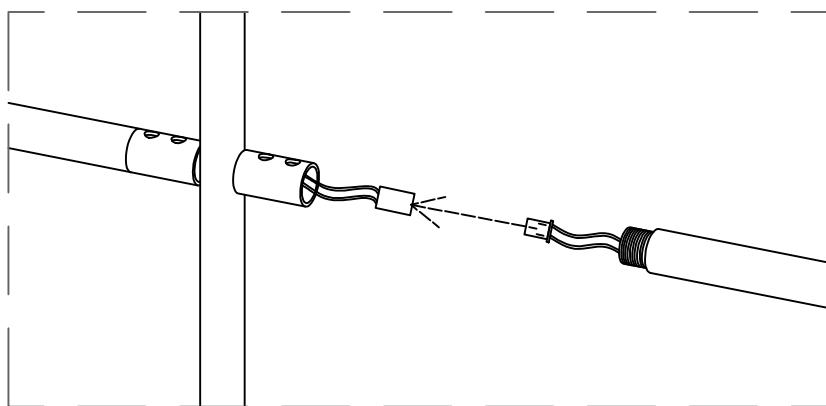
Please refer to the rated power at the lamp head, and do not exceed the recommended wattage to avoid fire hazards. When checking the circuit connections, the curtains need to be removed

THIS PRODUCT IS NOT A TOY AND HAS NO PLAY VALUE.

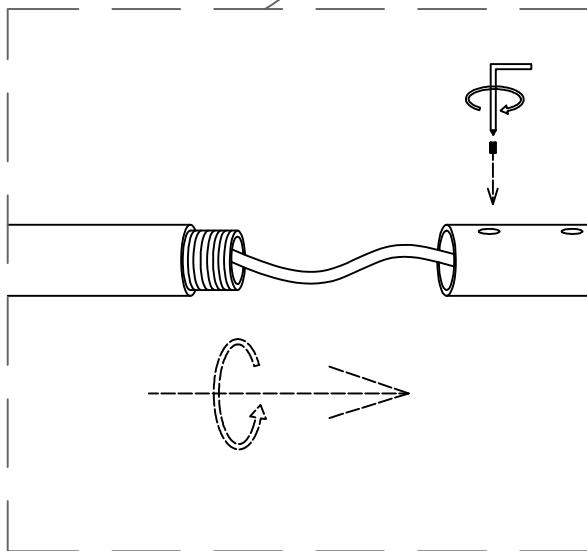
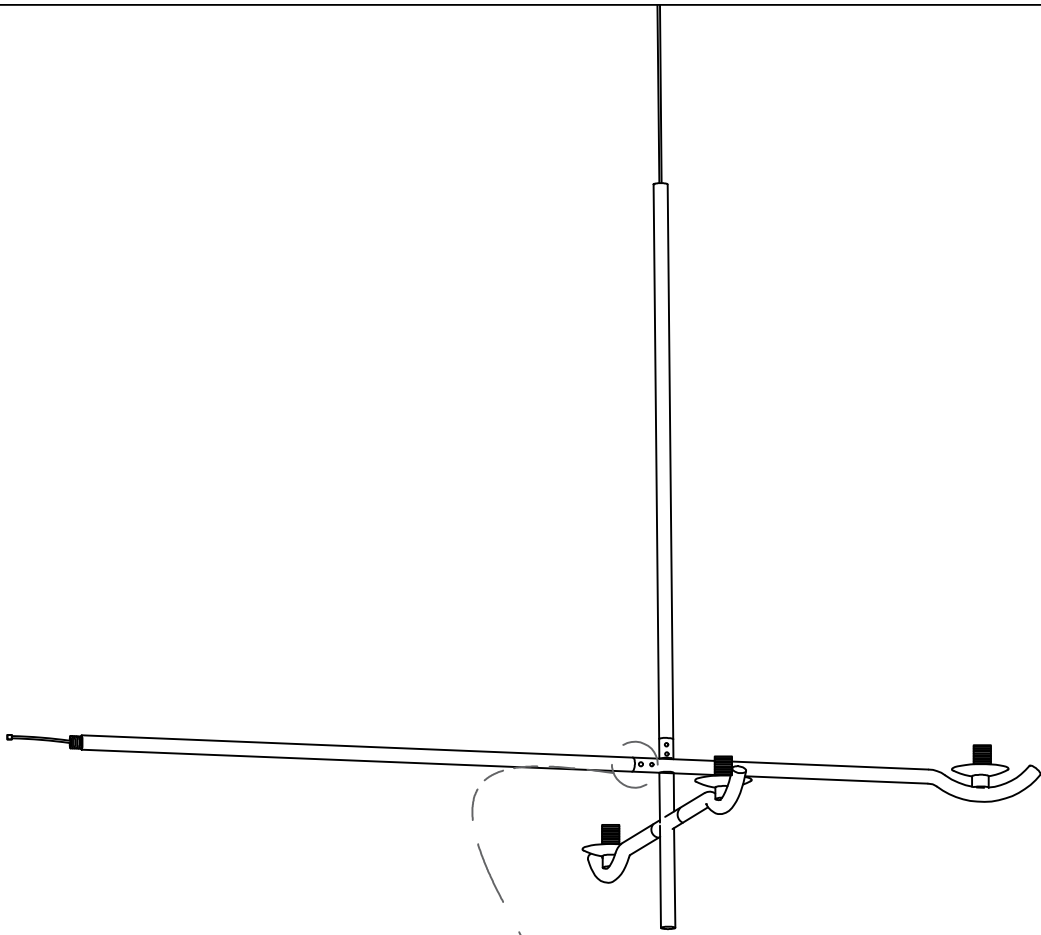
2



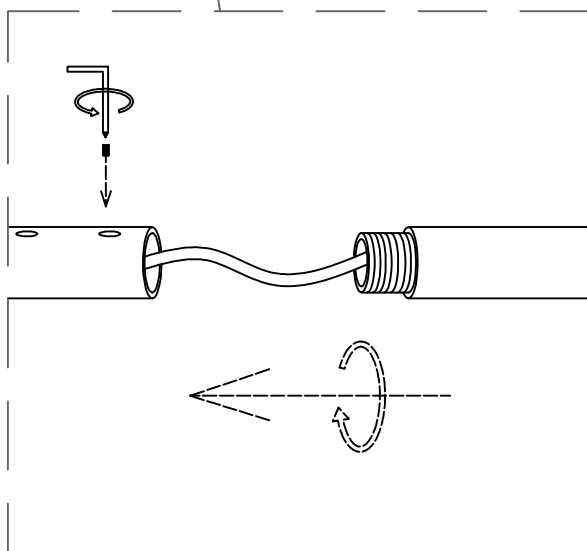
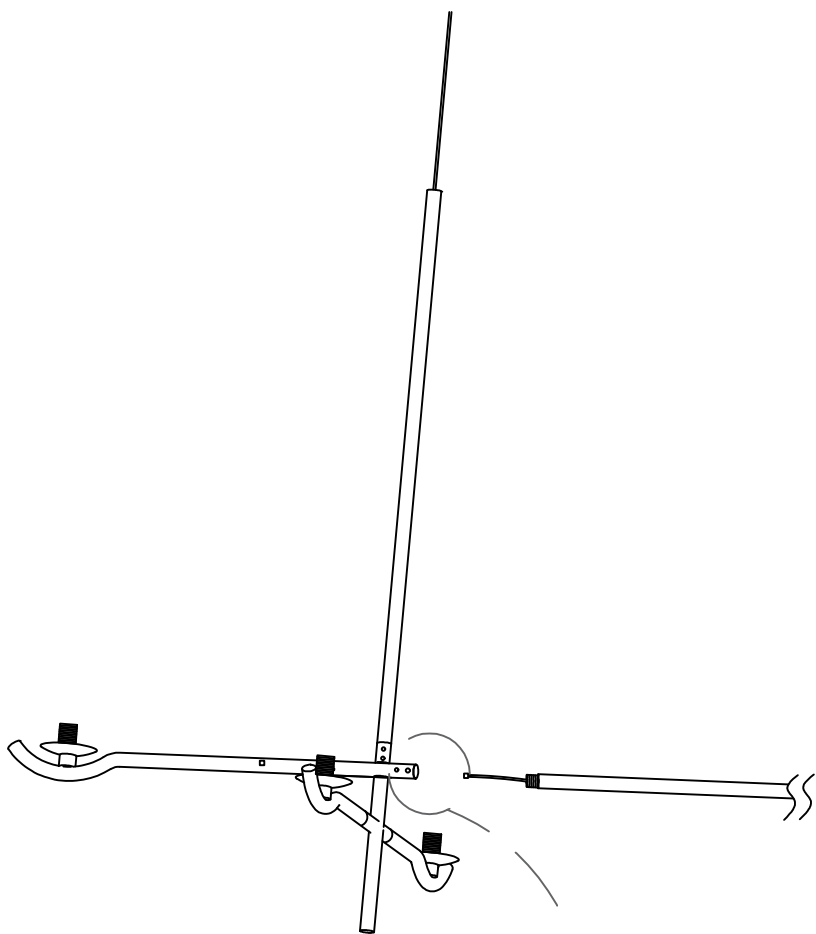
3



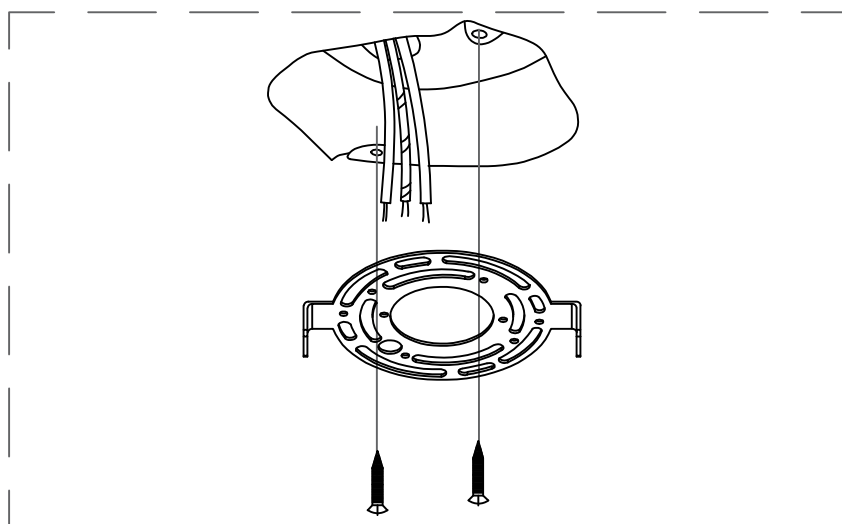
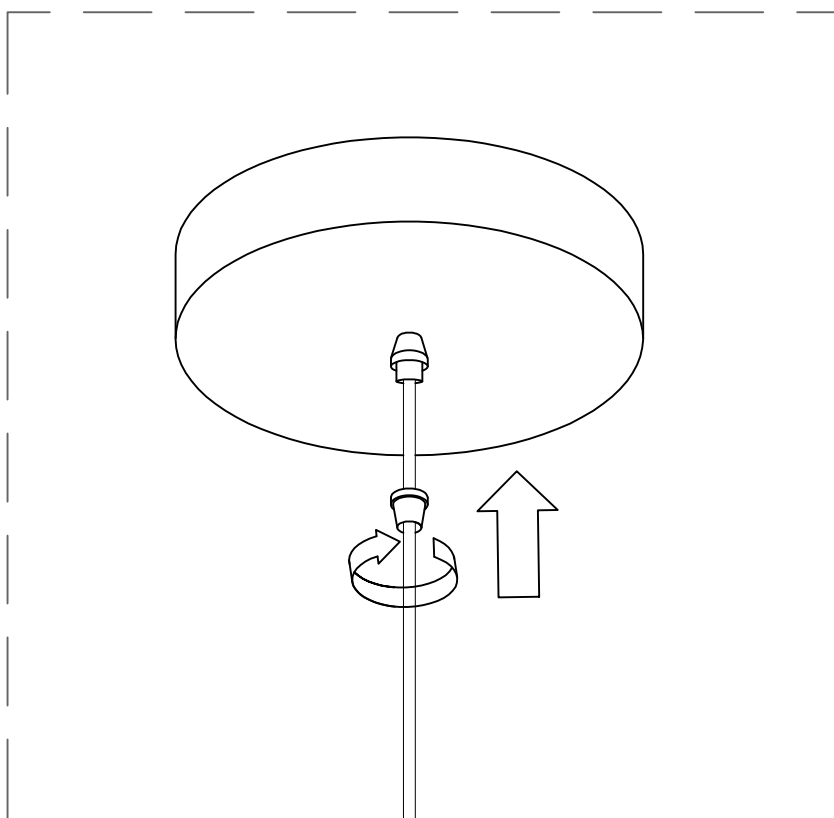
4



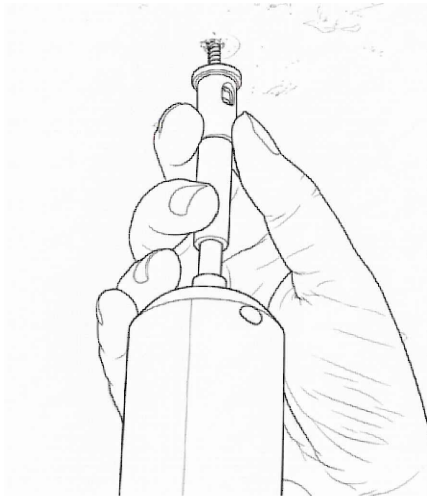
5



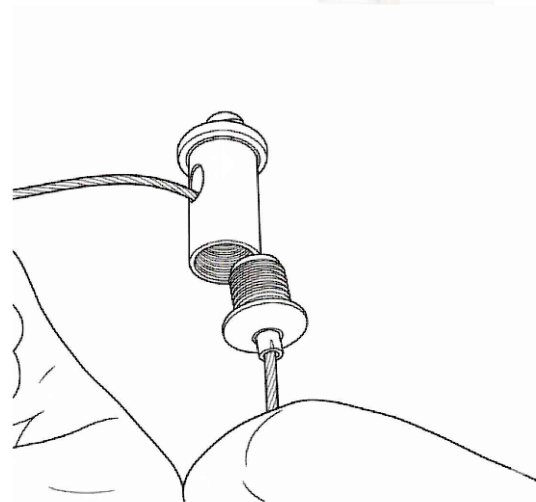
6



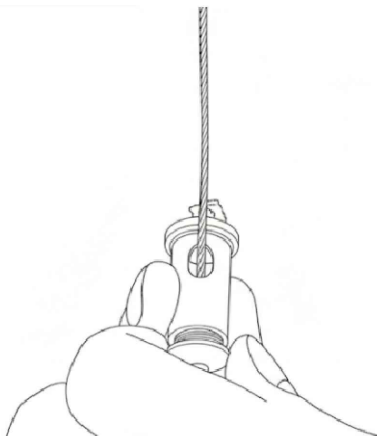
7



The small ceiling cover is first screwed to the ceiling



The wire hanging wire on the lamp body is inserted into the small ceiling cover and then passed through the side holes



Tighten and fix

Note: The length of the wire rope can be adjusted by pressing the lower end of the tension head

8

 ENGLISH Live	ENGLISH Neutral	ENGLISH Earth/Ground
FRANCAIS Phase	FRANCAIS Neutral	FRANCAIS Terre
ESPANOL Con corriente.	ESPANOL Neutro	ESPANOL Tierra

