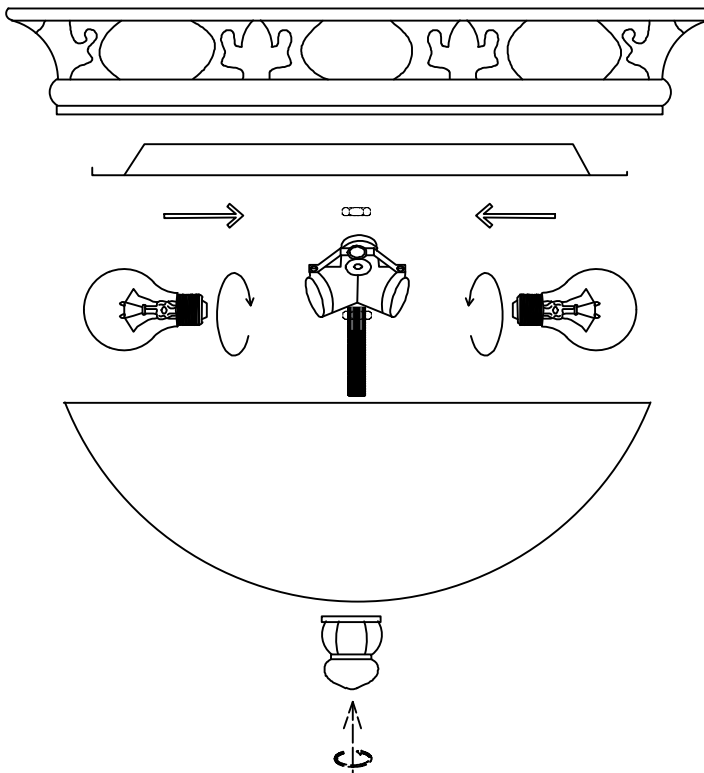
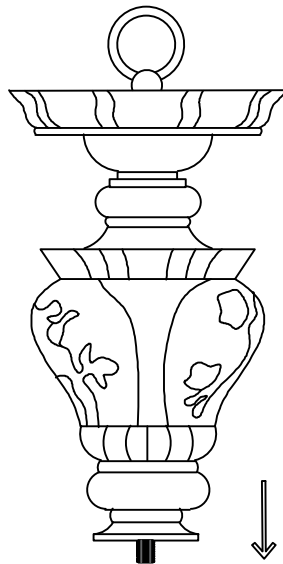
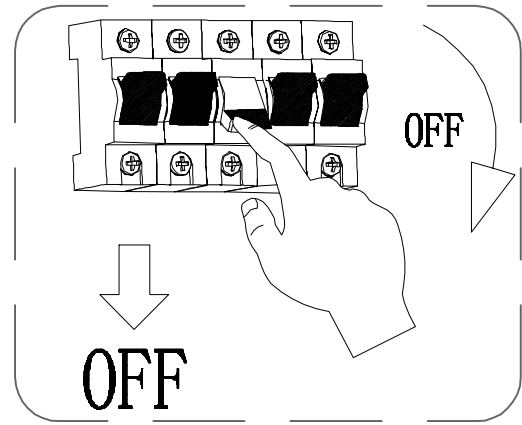
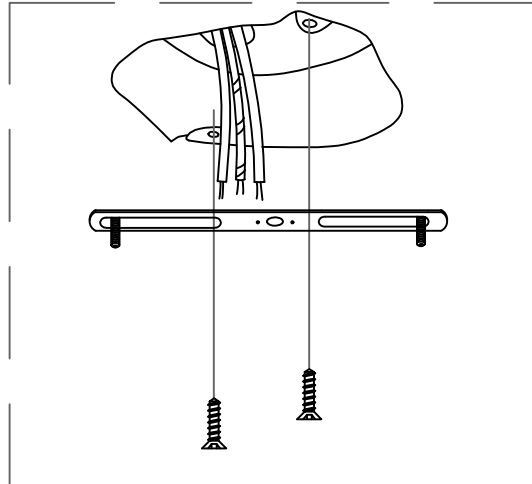


# 1

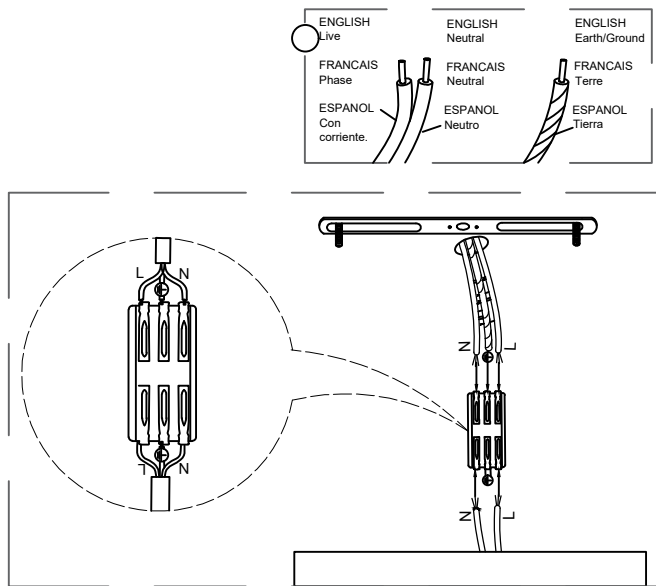


Assemble the lamp body first

# 2

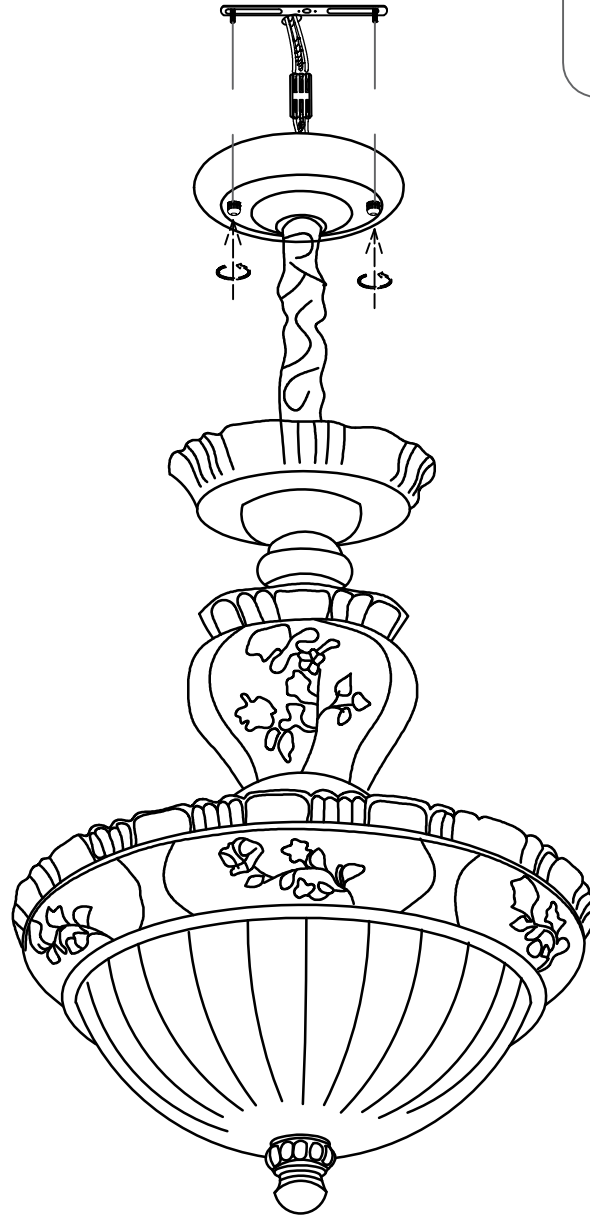
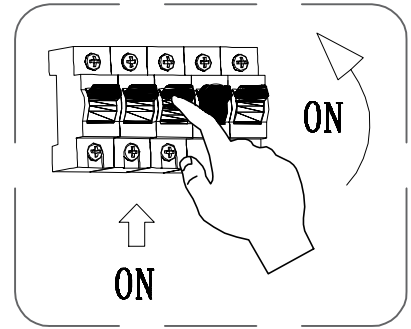


Fasten the hanging board to the ceiling with screws



The wires in the home are connected to the wires in the lamps through the wire terminals

# 3



Use hand-made nuts to fix the lamp body on the hanging board