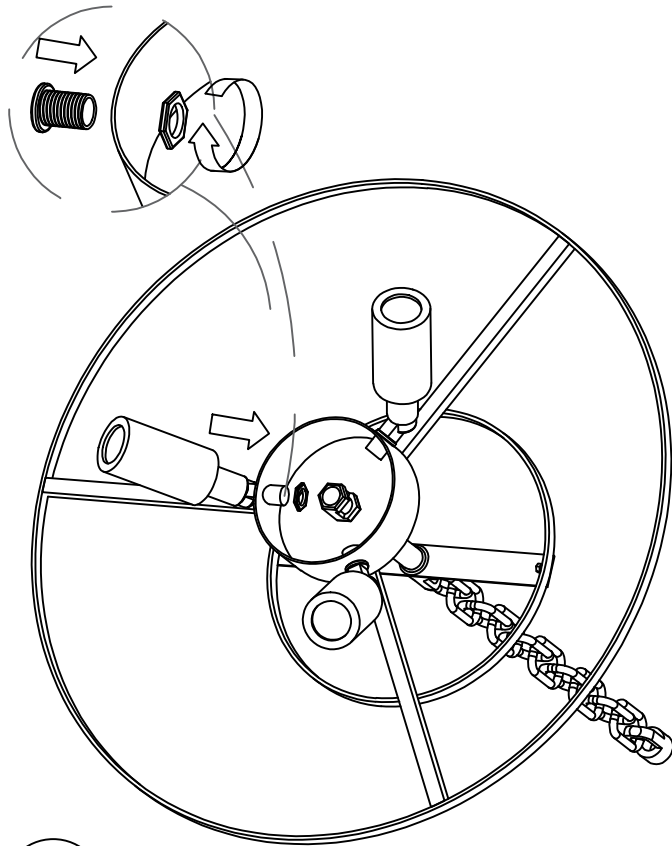
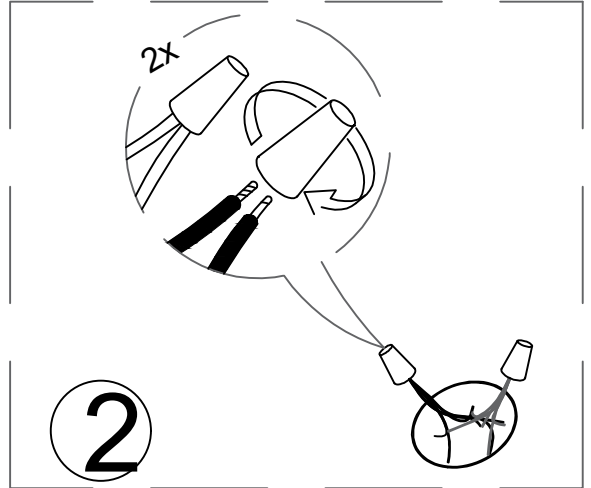


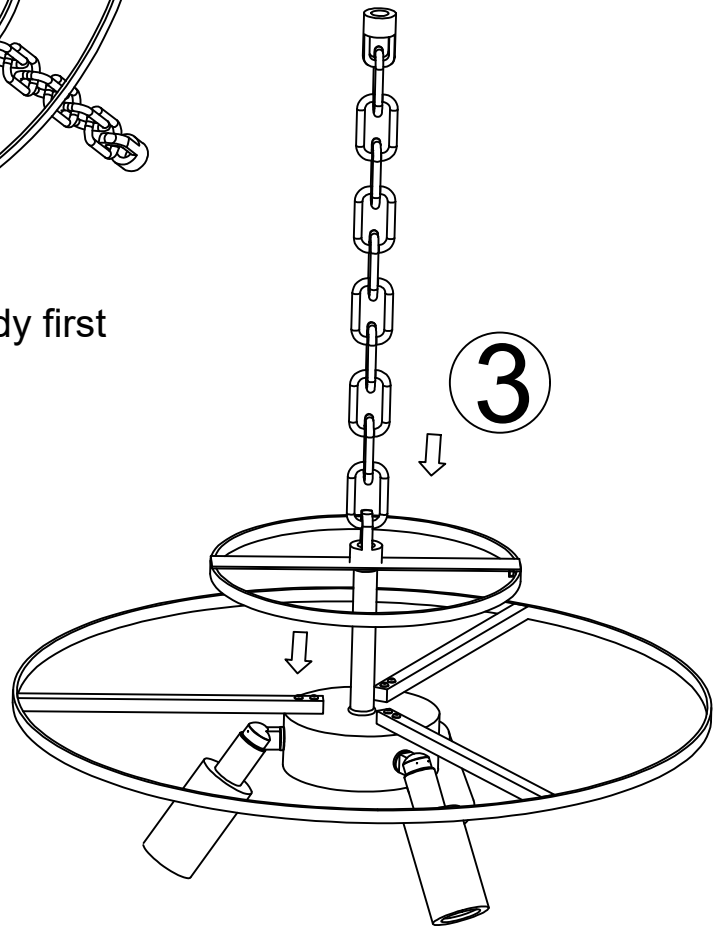
1



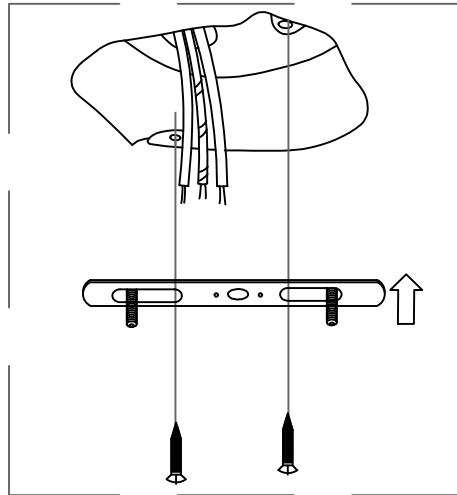
1 Assemble the lamp body first



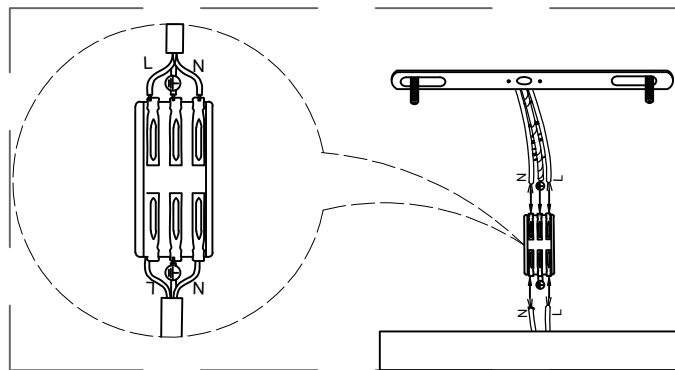
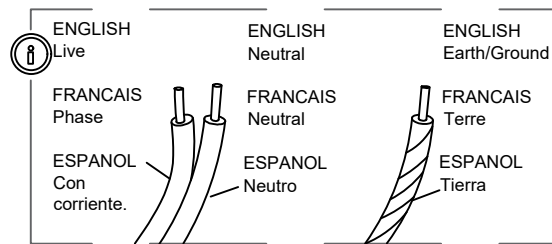
The main line is connected to the wires of the same color



2

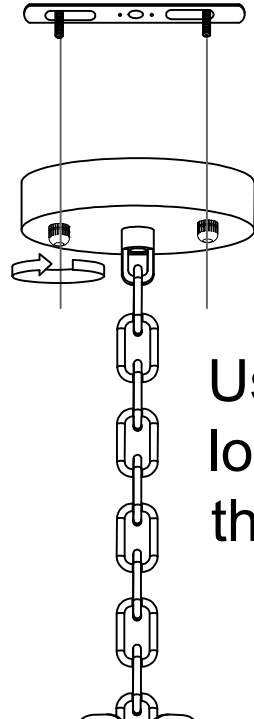


Fasten the hanging board to the ceiling with screws

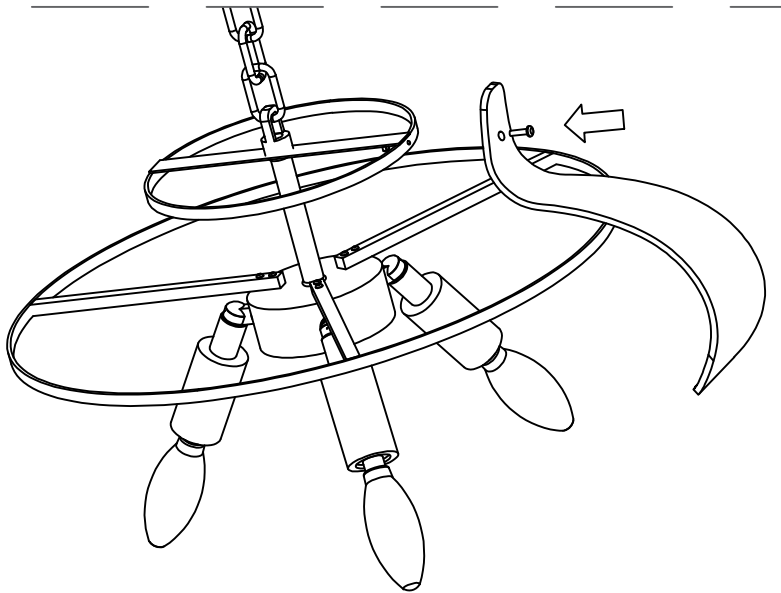
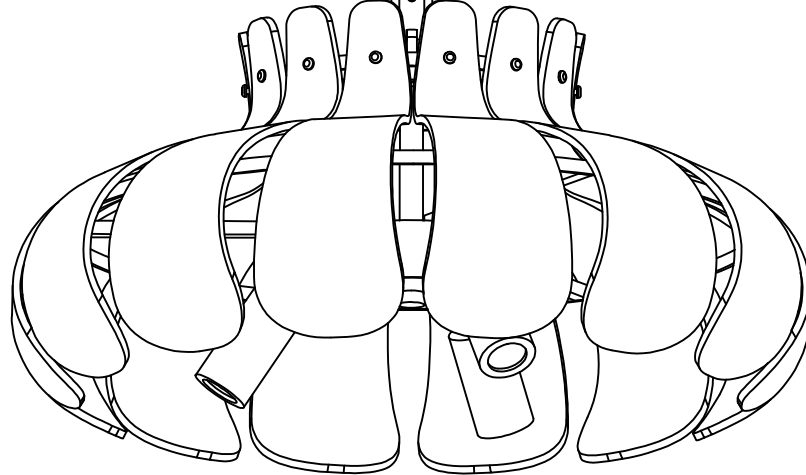


The wires in the home are connected to the wires in the lamps through the wire terminals

3



Use hand-made nuts to lock the lamp body on the hanging plate



Fix the glass with screws and nuts