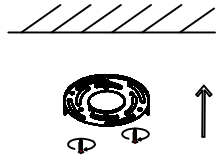
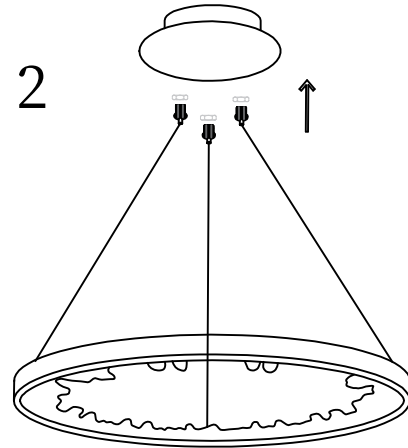


1



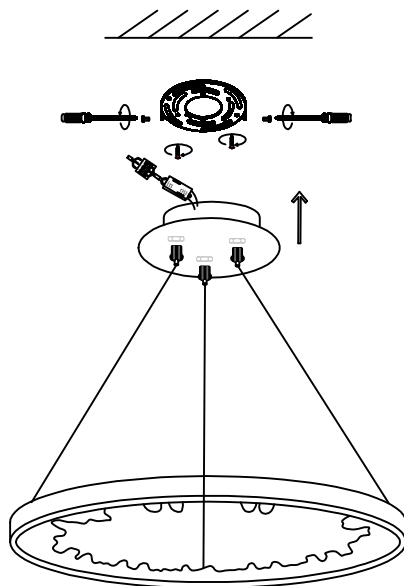
Install the hanging plate on the ceiling

2



The lamp body is mounted on the suction top plate

3



Install the lamp body on the hanging plate