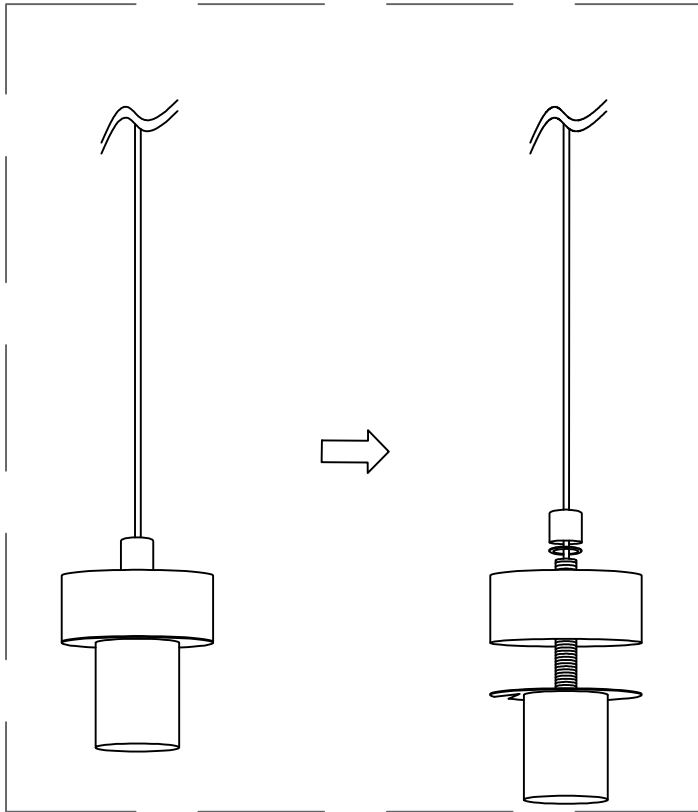
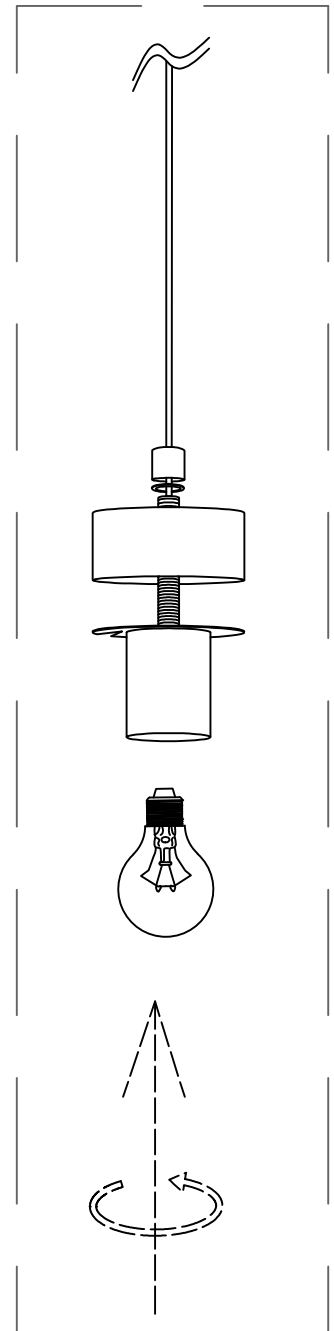


1

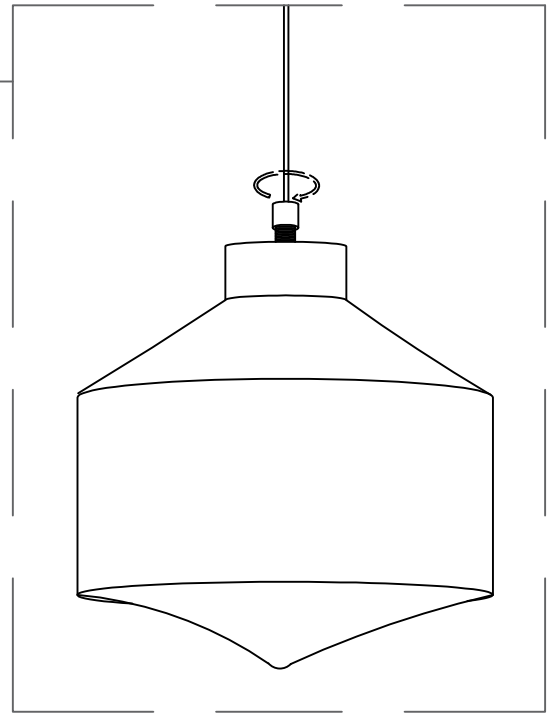
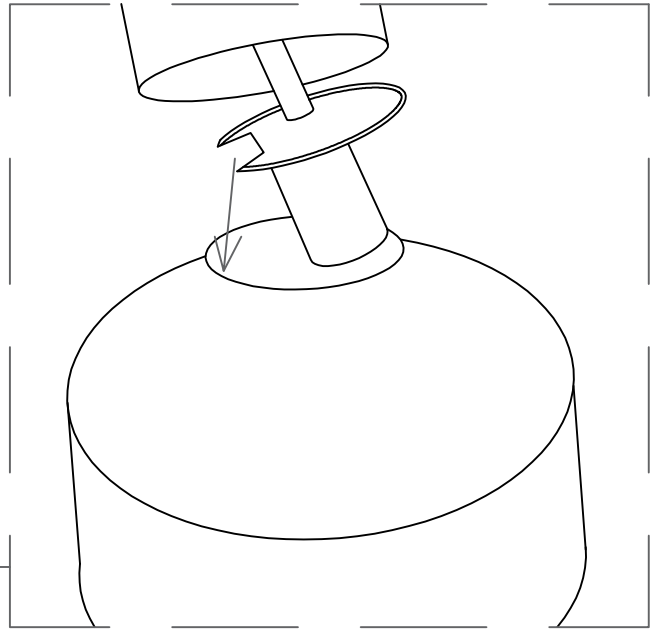
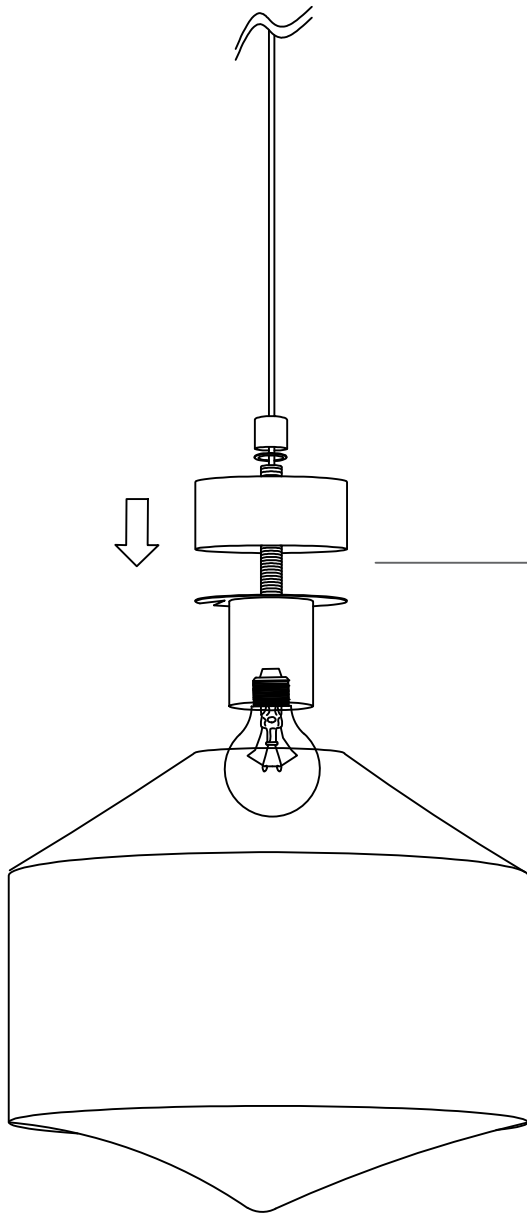


Remove the accessory and twist it apart first



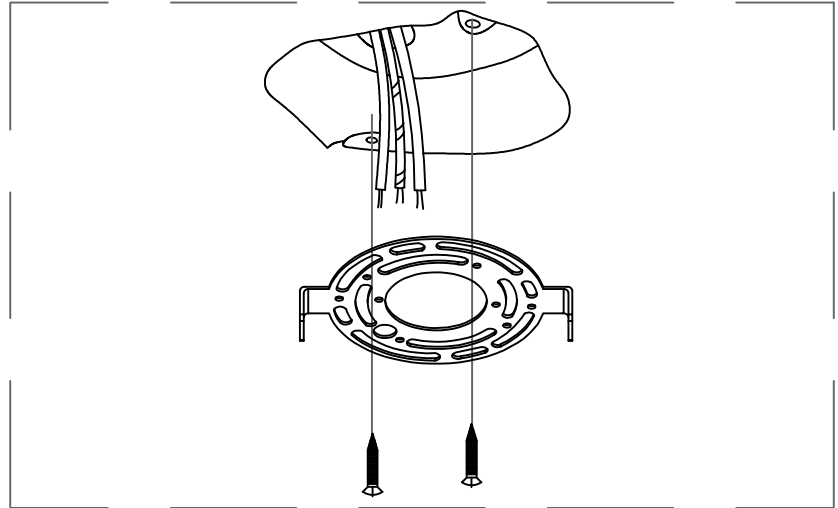
Installing light source

2

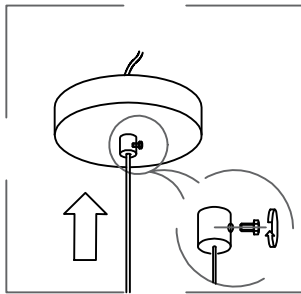


After the notched piece is stuck into the glass, it is fixed on top

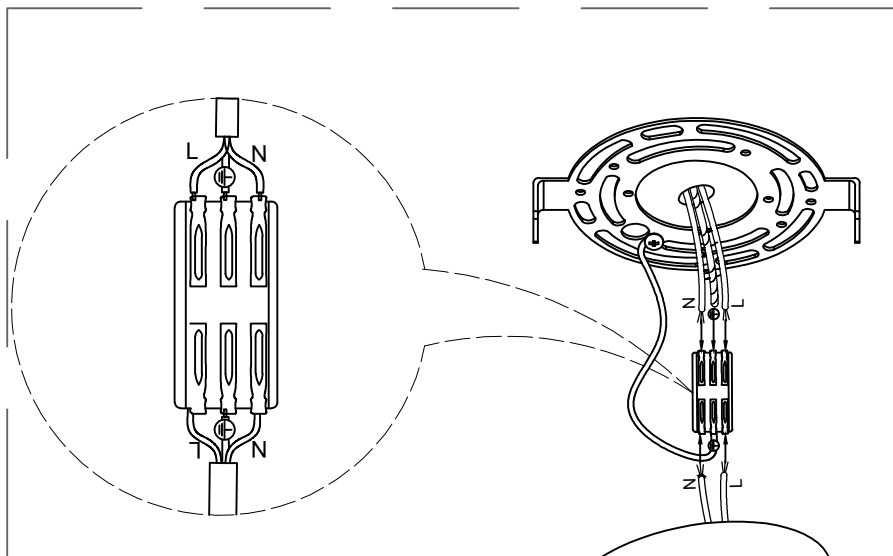
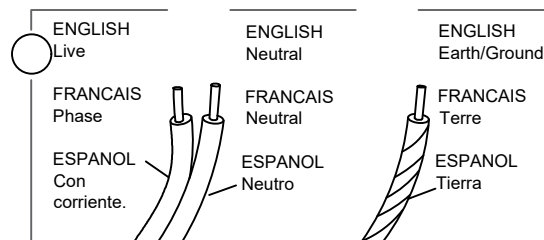
3



Fasten the hanging board to the ceiling with screws

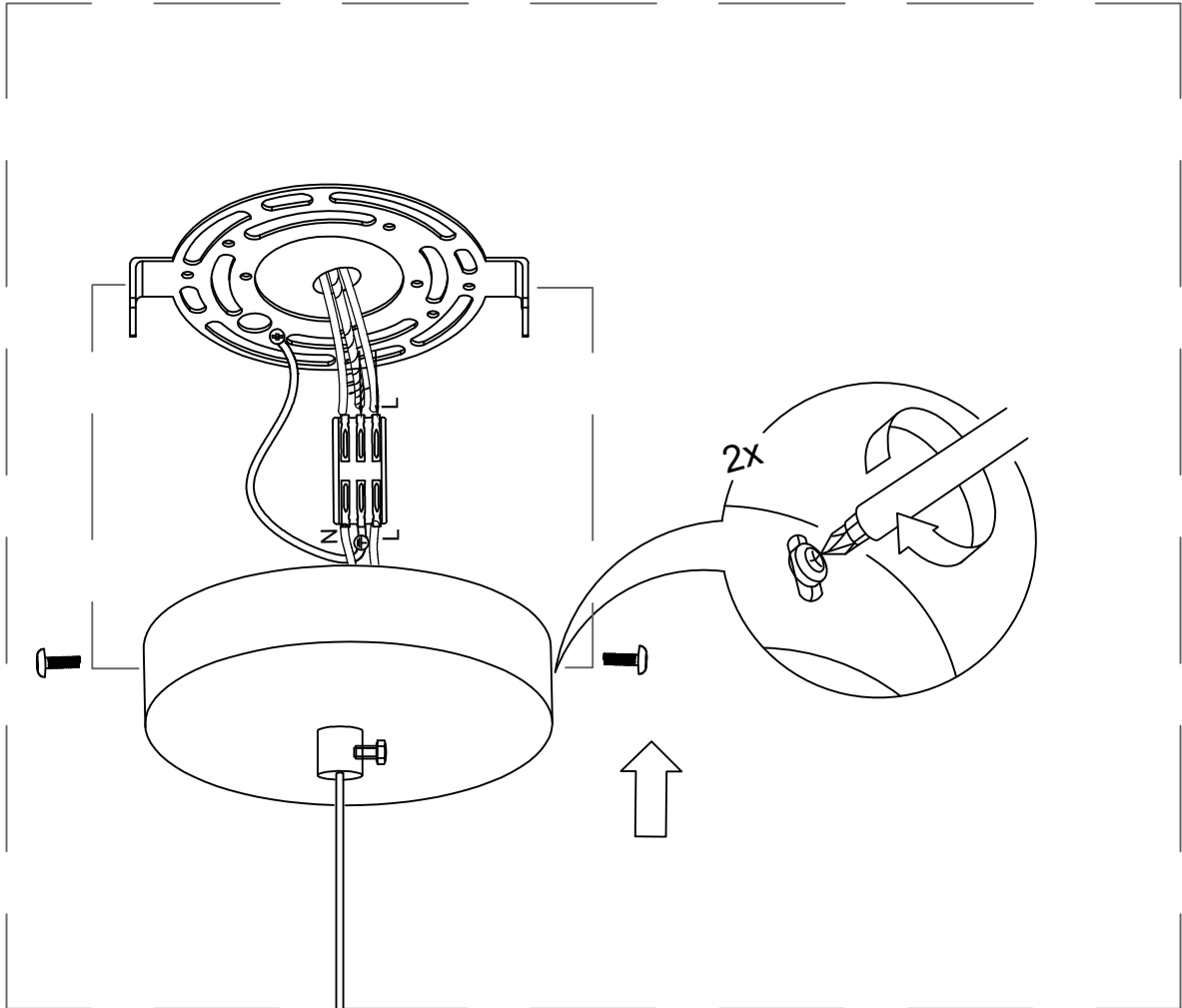


After adjusting the line length, fix it with screws.



The wires in the home are connected to the wires in the lamps through the wire terminals

4



The side screws fix the lamp body to the ceiling plate