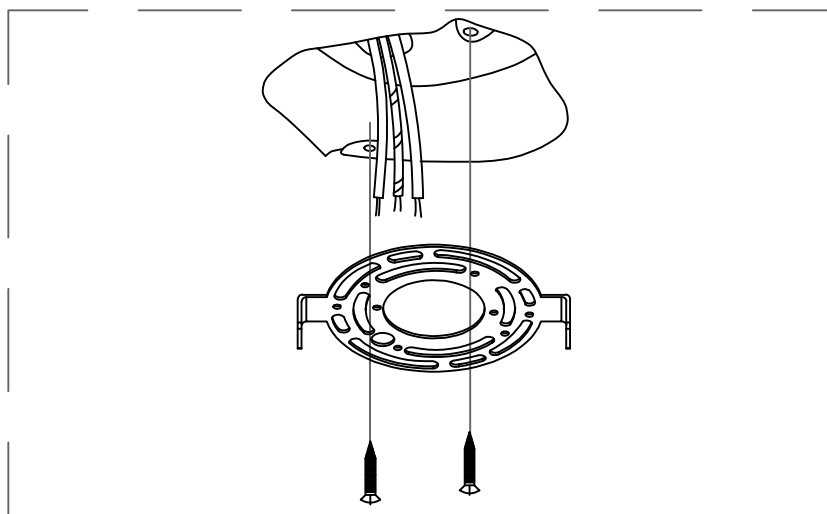
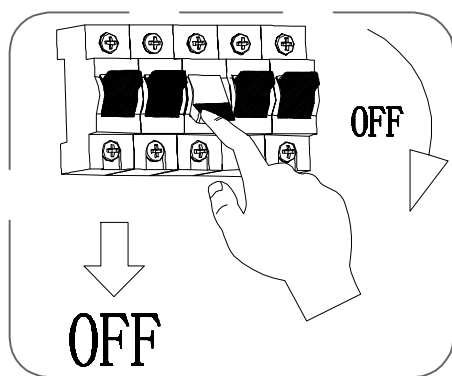
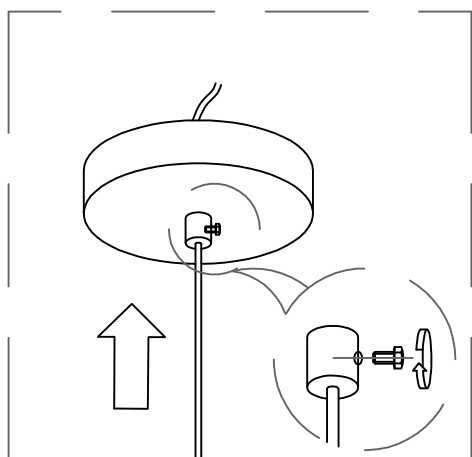


1

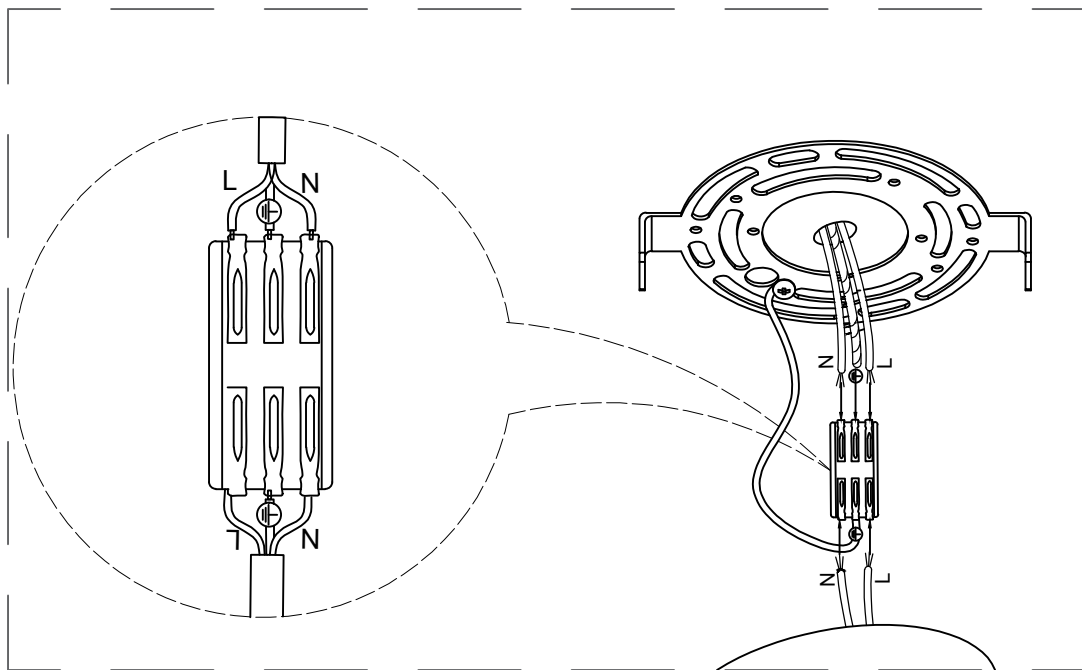


Fasten the hanging board to the ceiling with screws



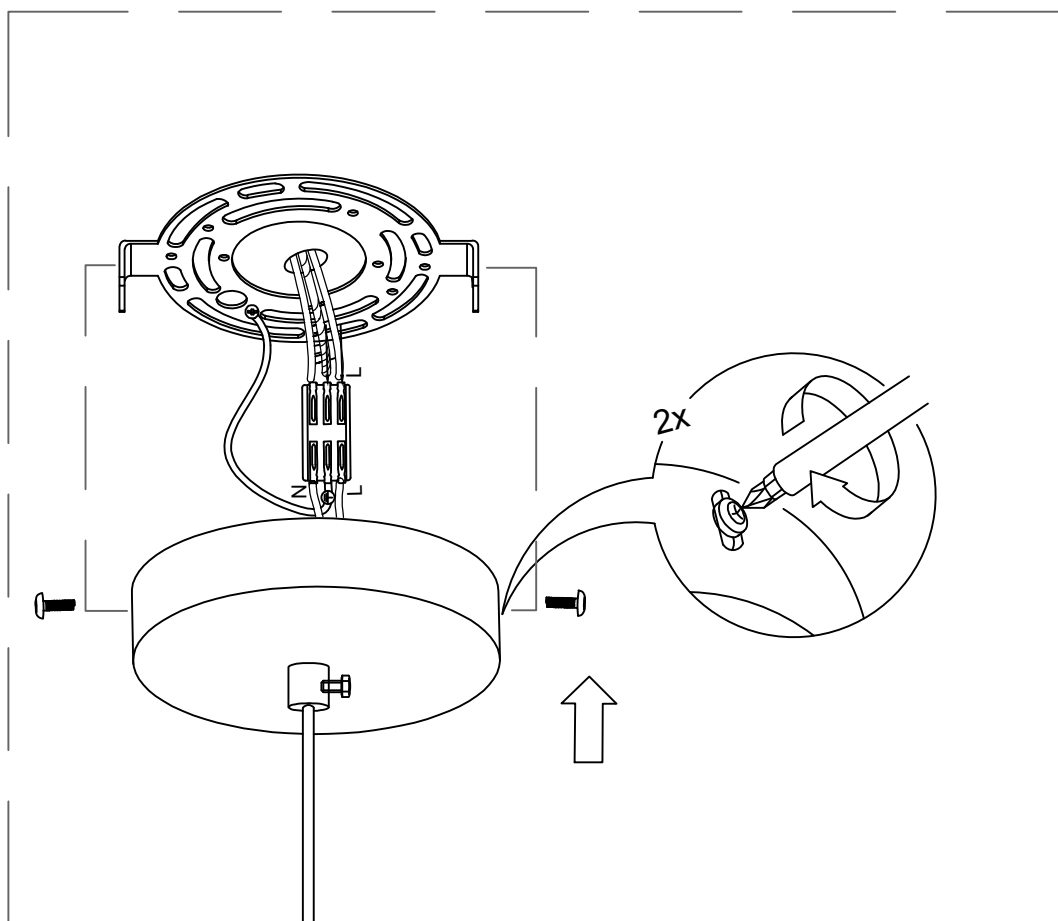
After adjusting the line length, fix it with screws.

2



The wires in the home are connected to the wires in the lamps through the wire terminals

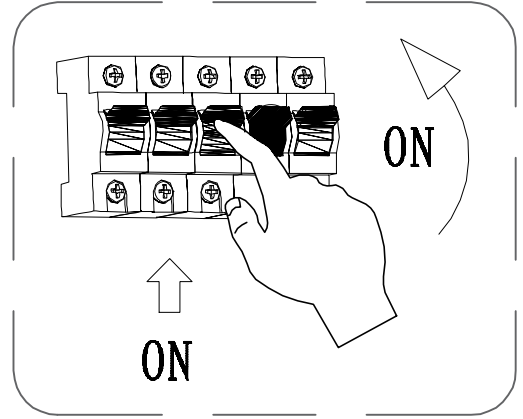
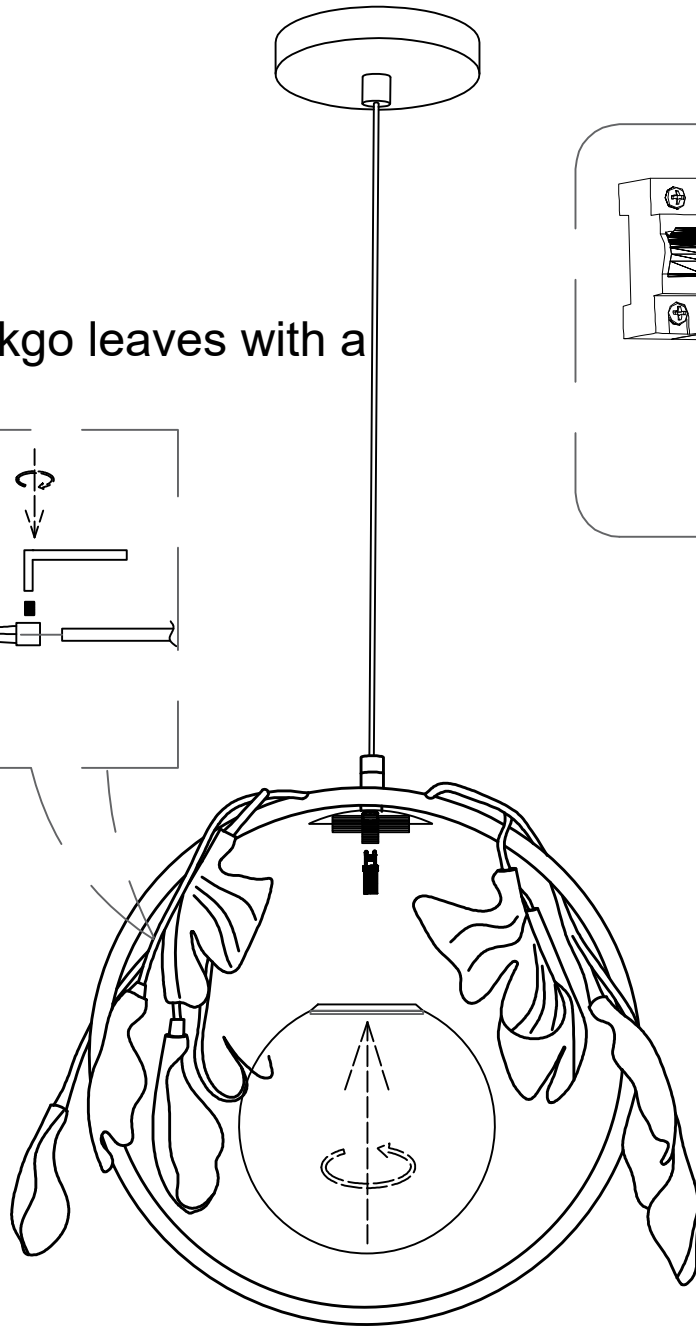
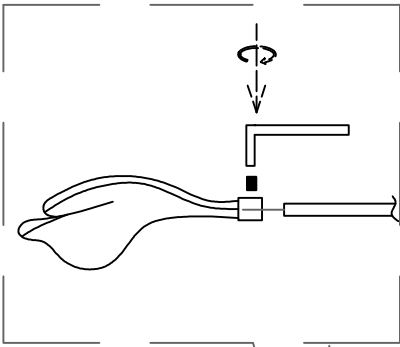
3



The side screws fix the lamp body to the ceiling plate

4

Lock the ginkgo leaves with a hex wrench



Installing light source and lampshade