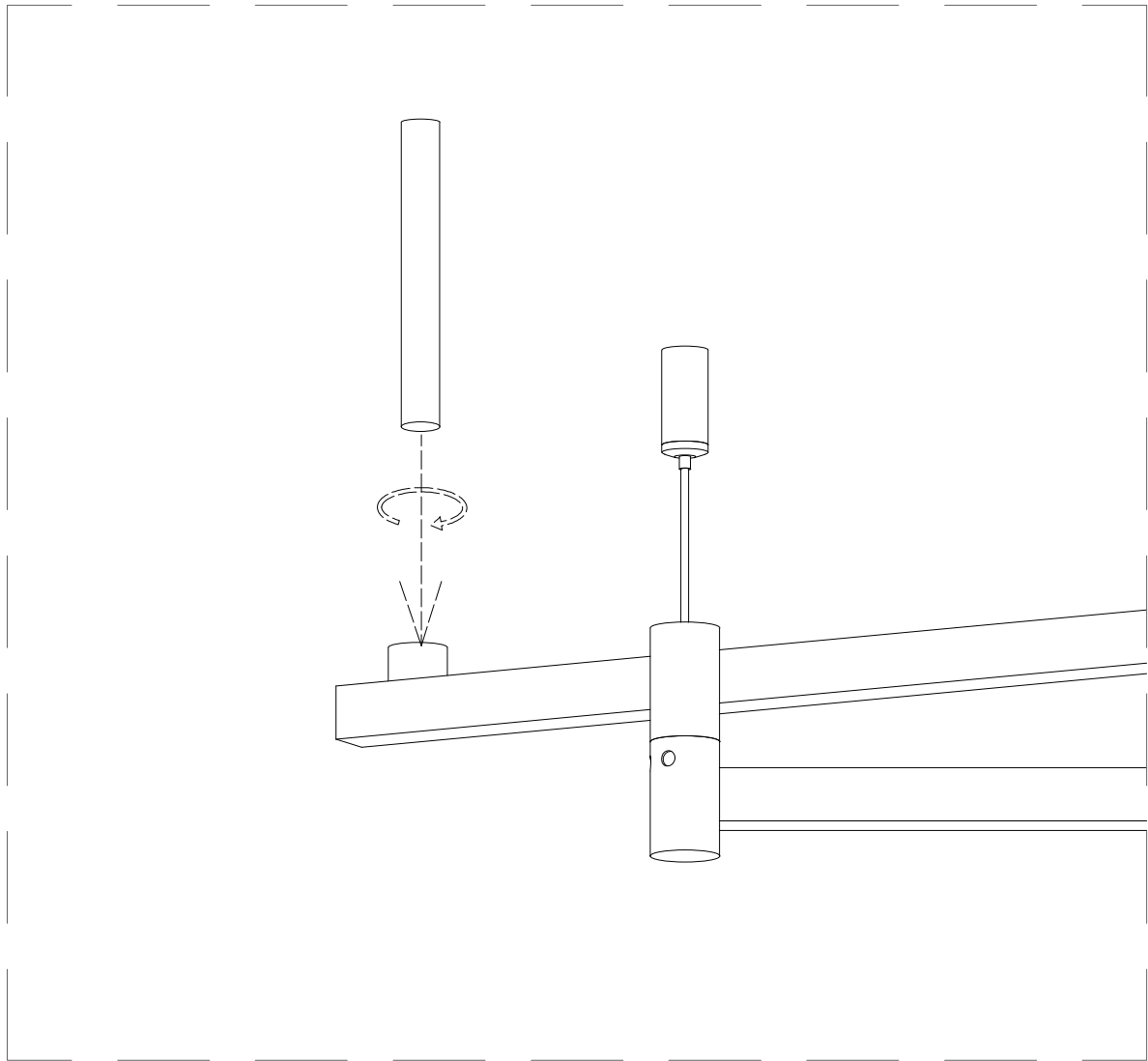
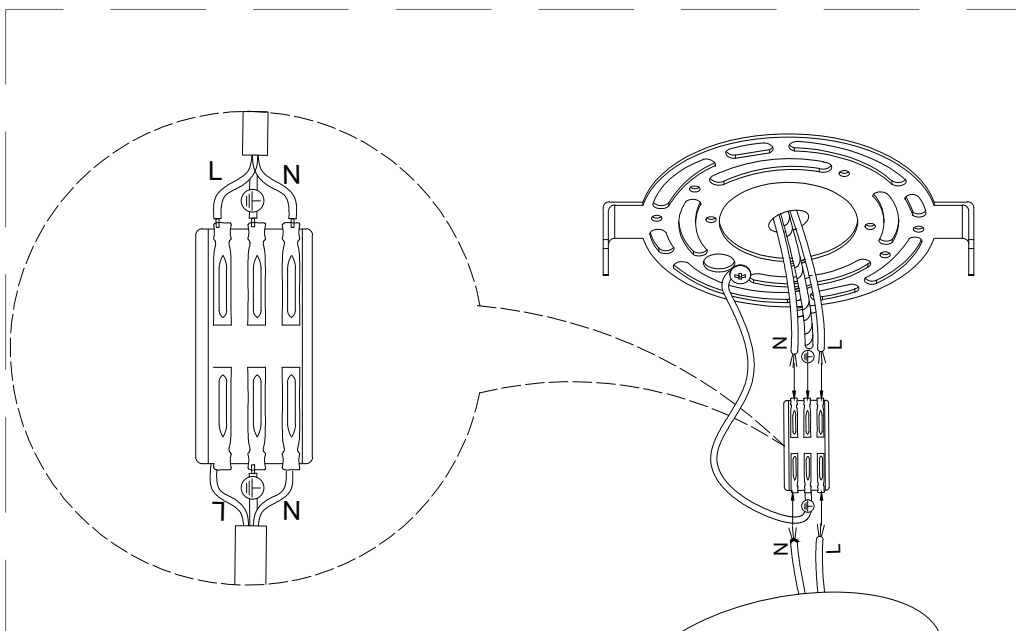
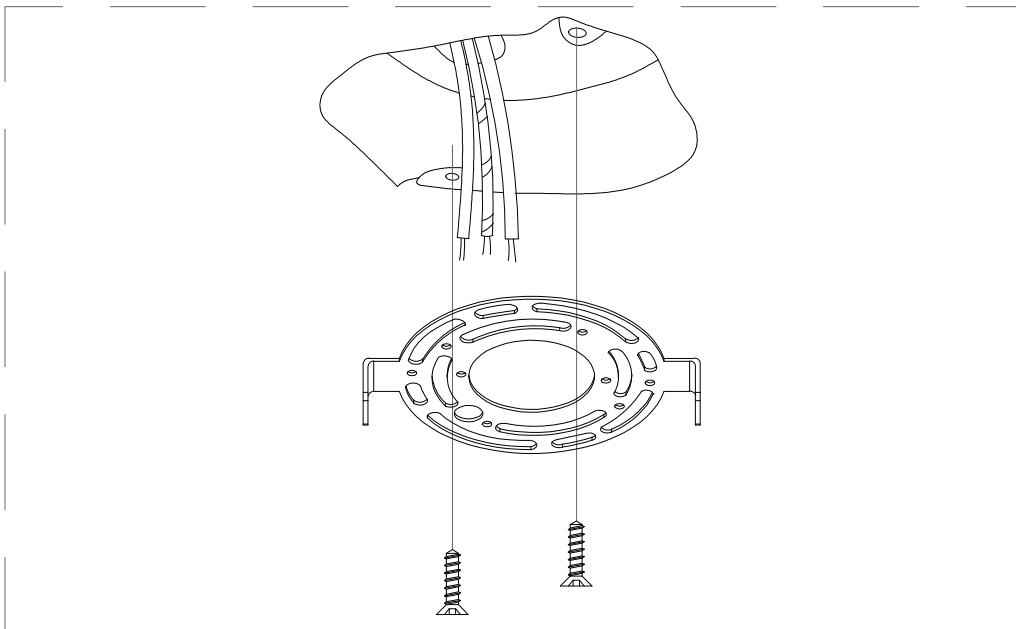


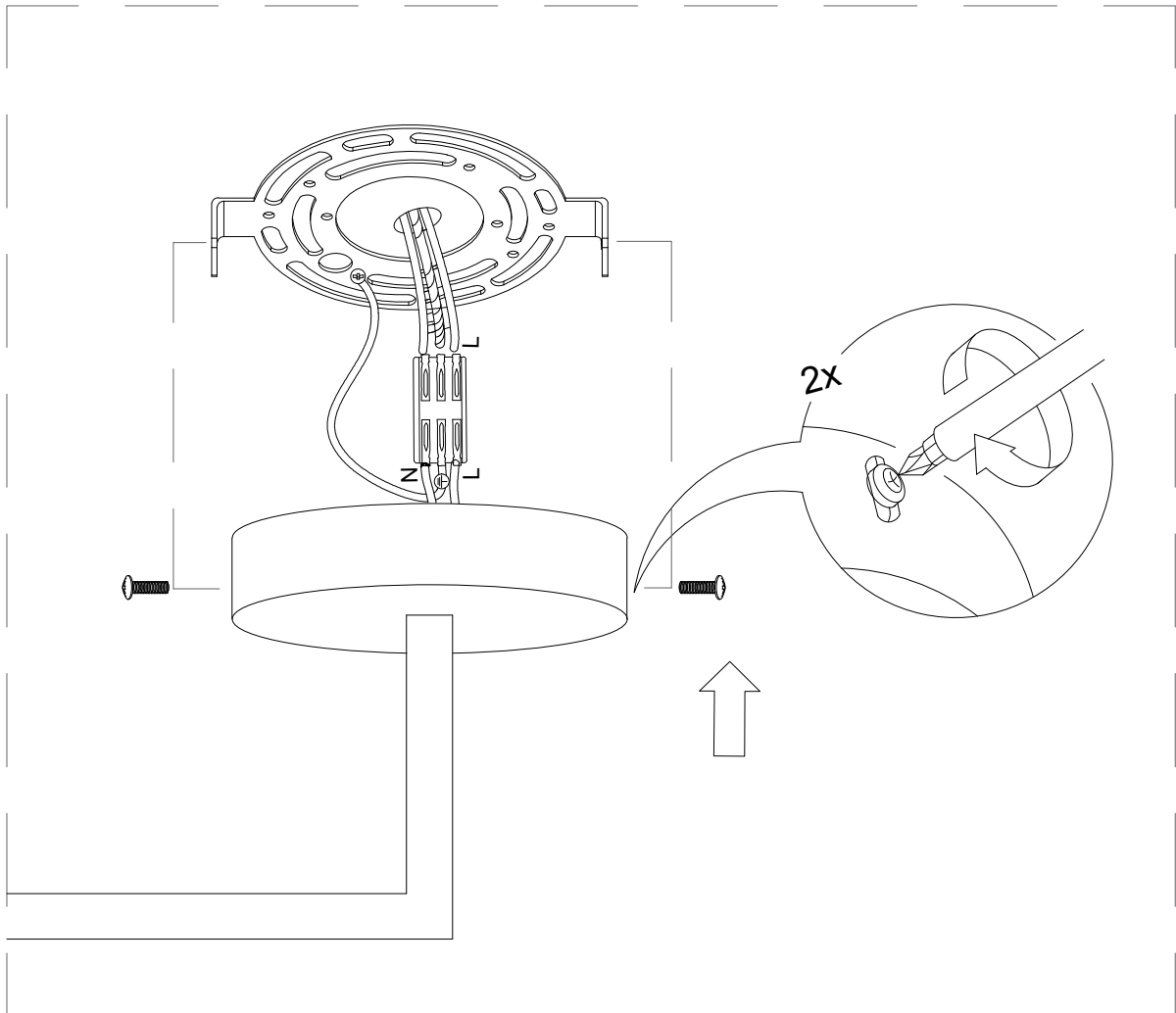
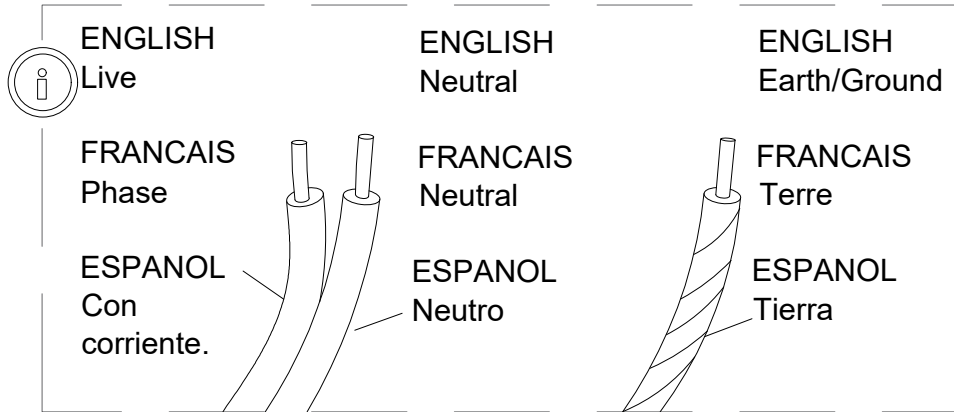
1



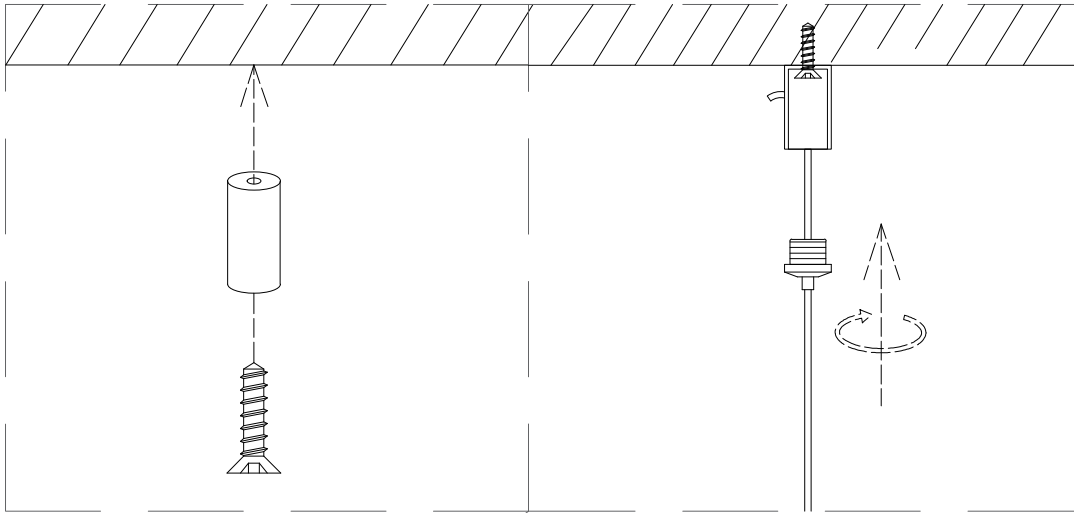
2



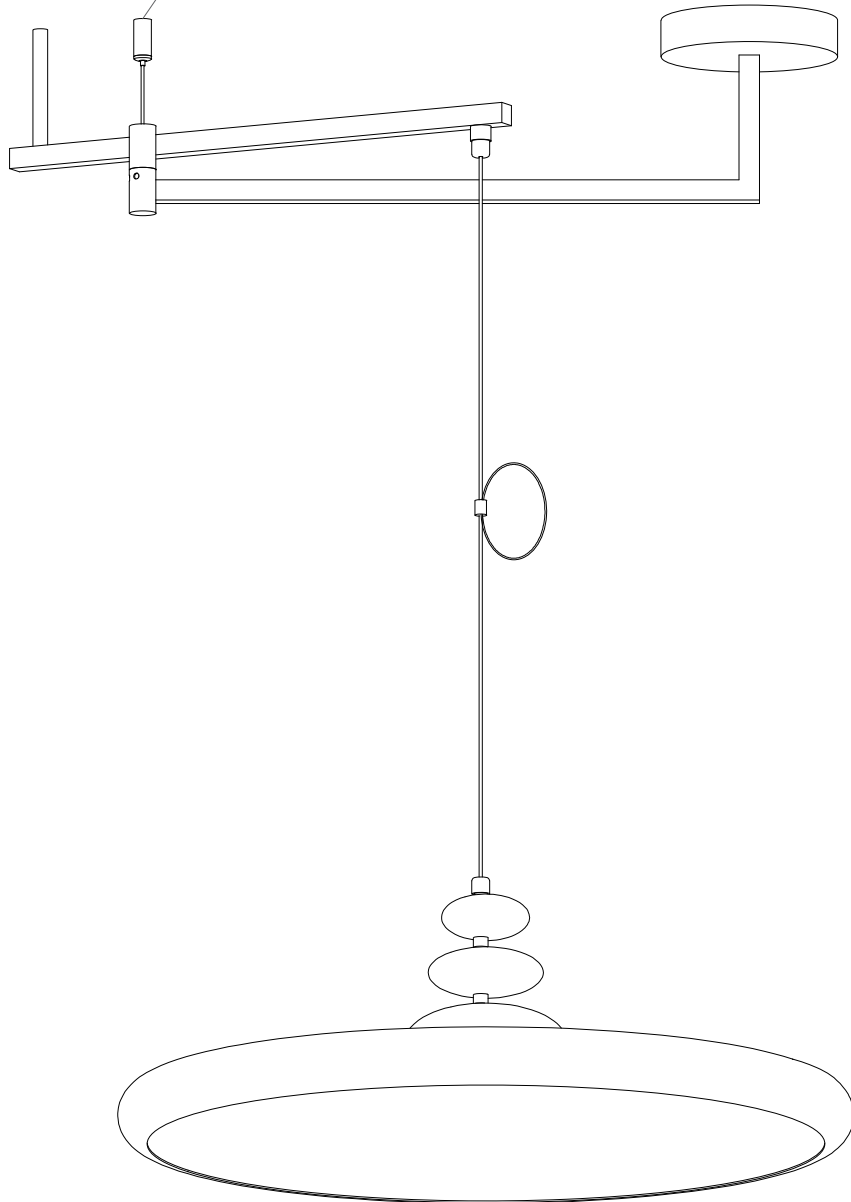
3



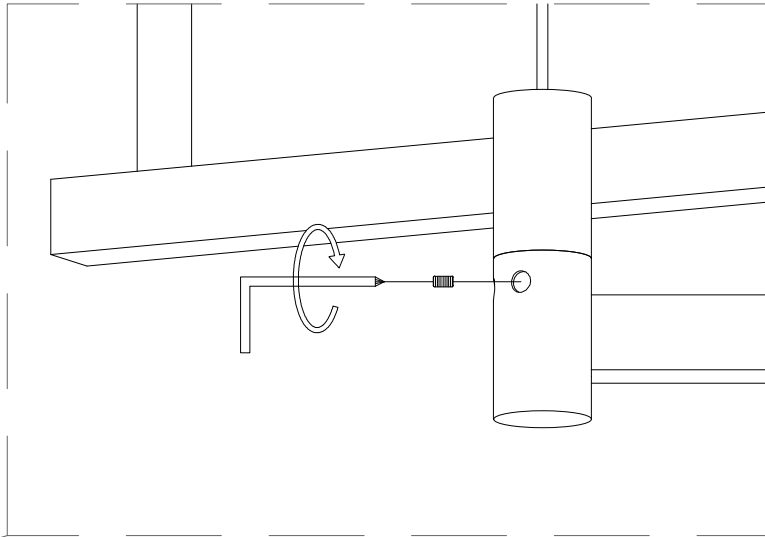
4



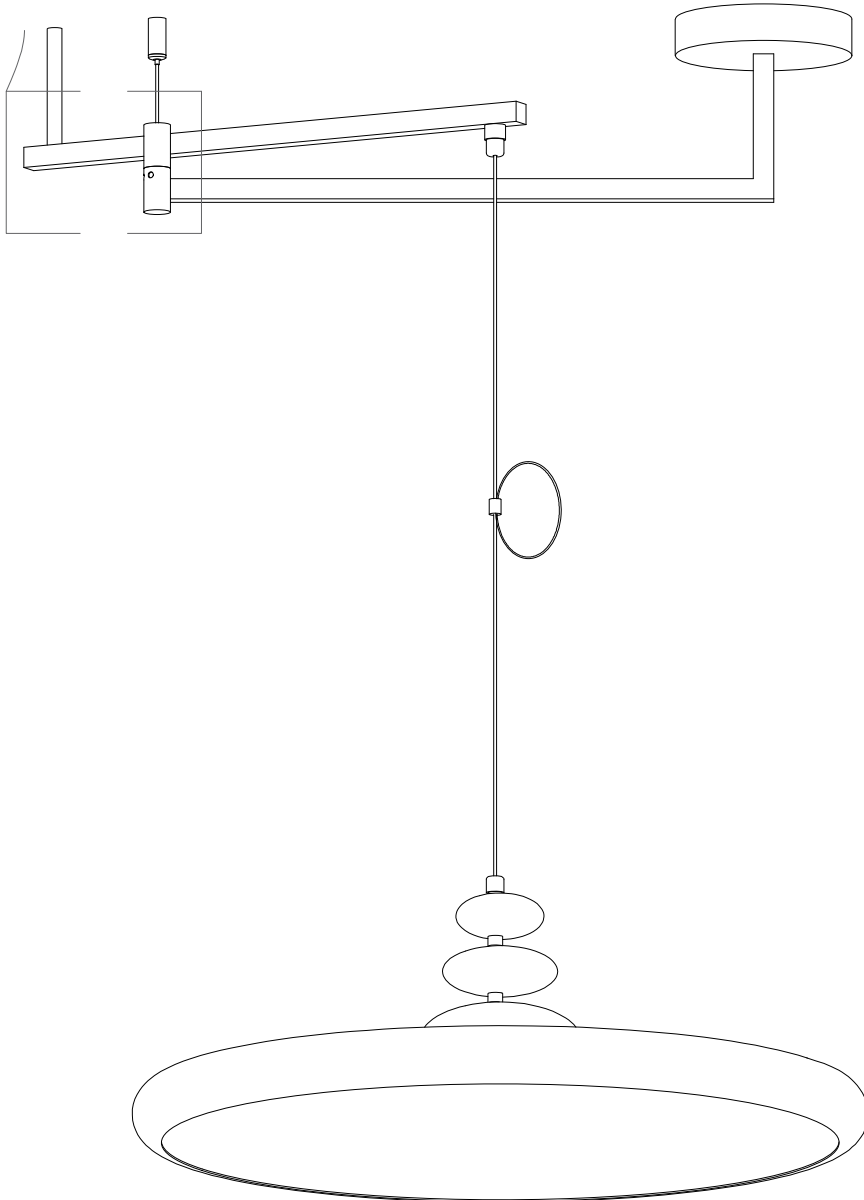
Note: Please mark the points on the ceiling first and then drill holes



5



Note: Please adjust the position of the lamp arm before tightening the screws to fix it



6

