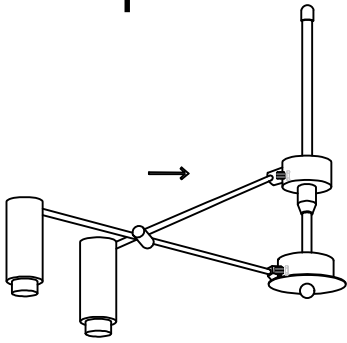
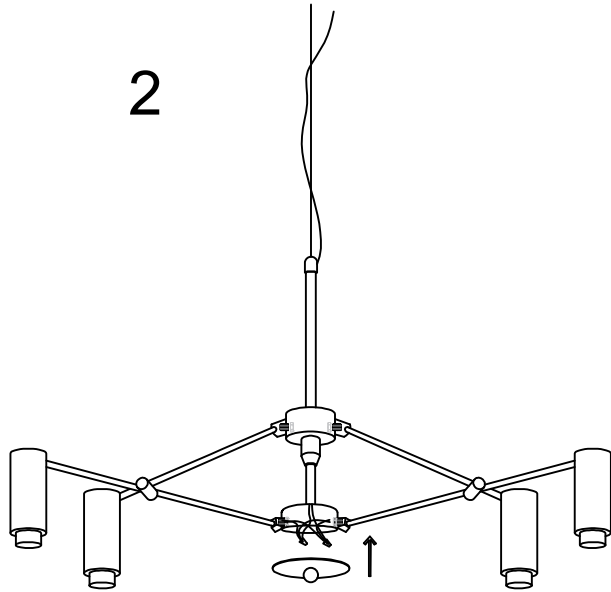


1



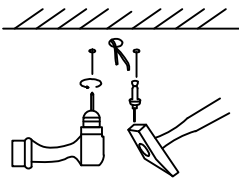
The lamp arm is connected to the center post by screws

2



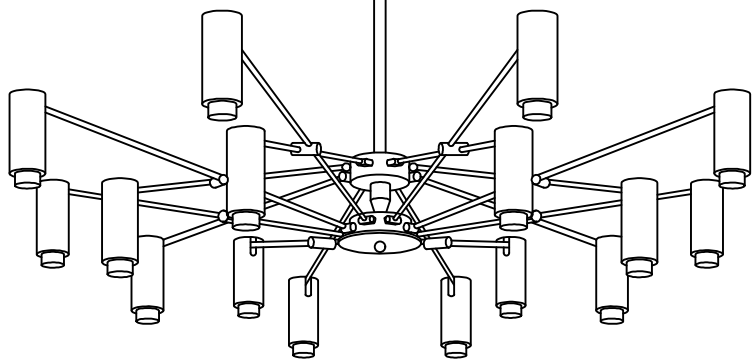
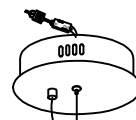
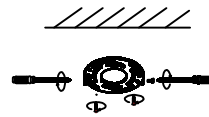
The lamp arm wire is connected to the main line (Lines of the same color are joined together)

3



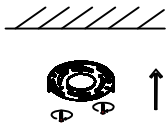
Drill holes in the ceiling and insert expansion screws

5



Install the lamp body on the hanging plate

4



Install the hanging plate on the ceiling