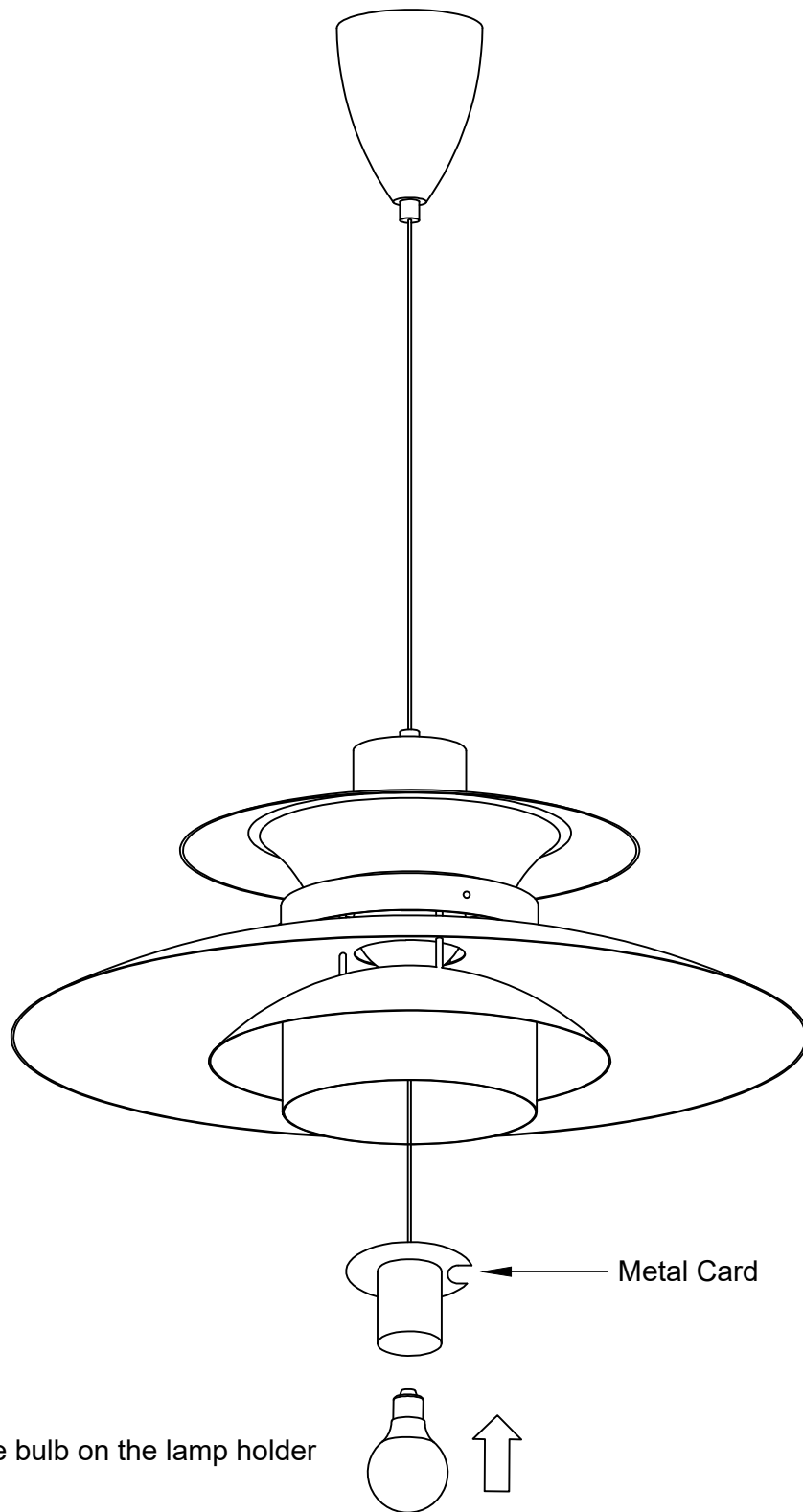


1

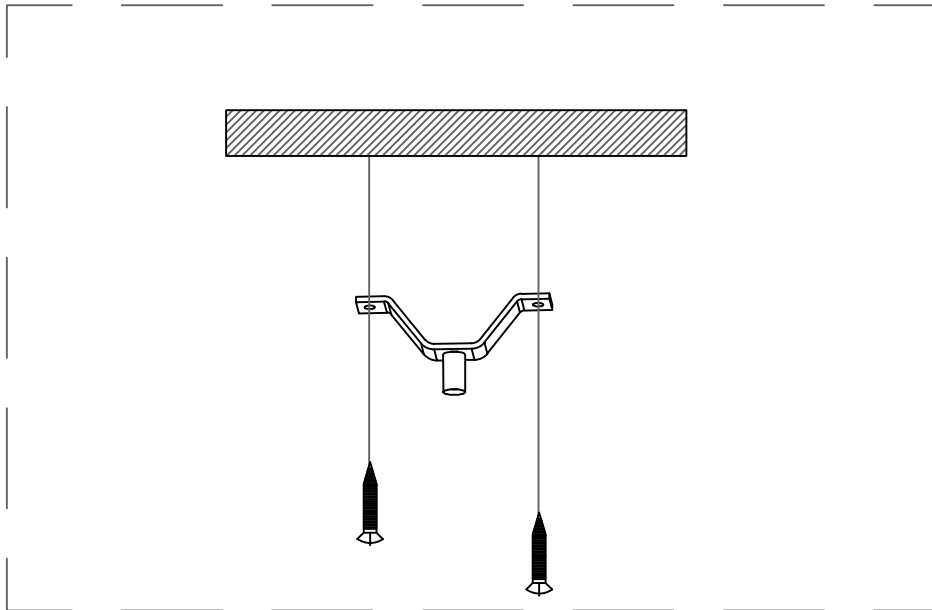


① Install the bulb on the lamp holder

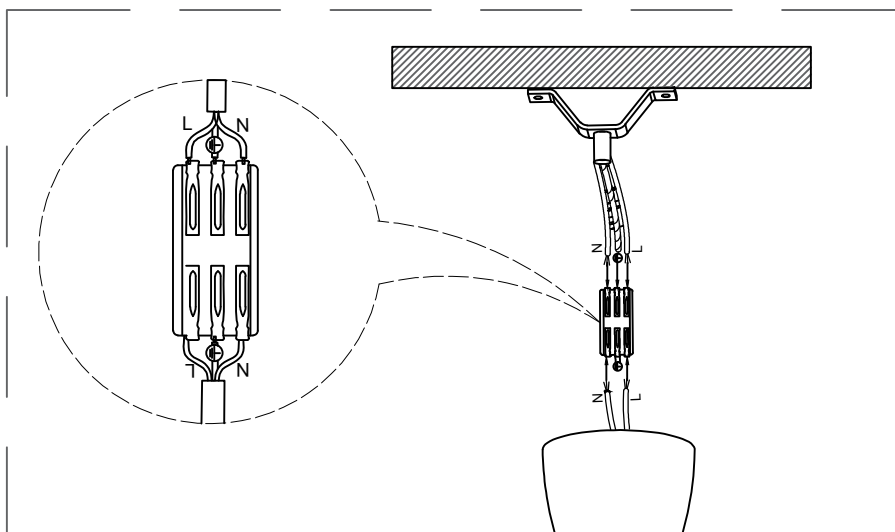
② Pass the power cord through the lamp body first (the metal card will hold the lamp head on the lamp)

③ Then the wires pass through the lock wire-ceiling plate-tooth tube-hanging board

2

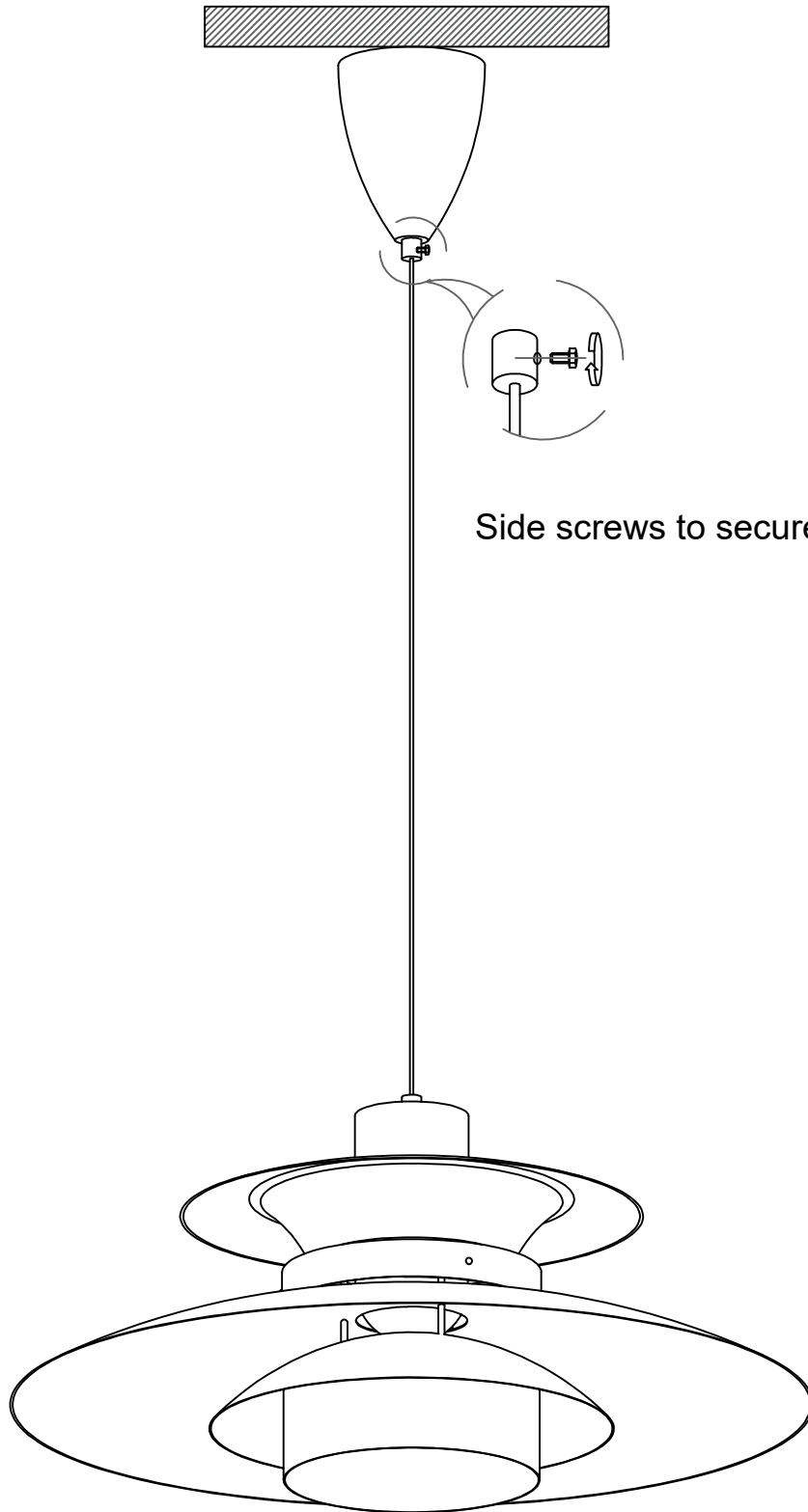


Fasten the hanging board to the ceiling with screws



The wires in the home are connected to the wires in the lamps through the wire terminals

3



Side screws to secure wires