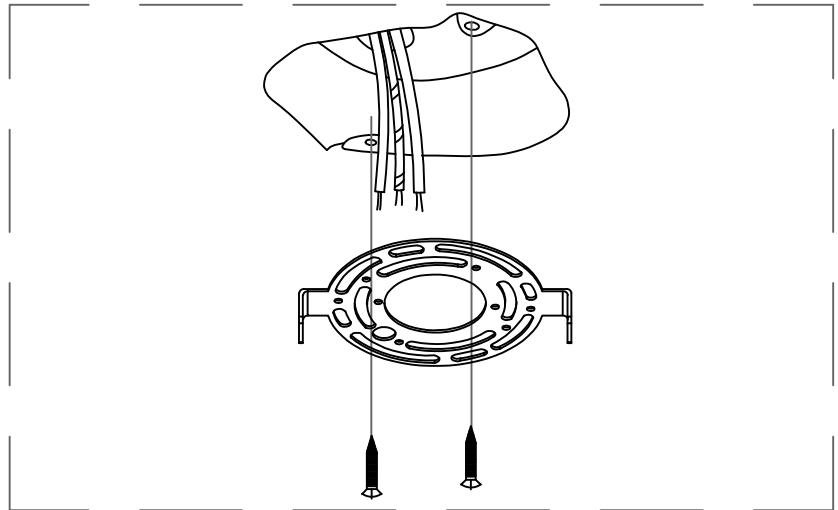
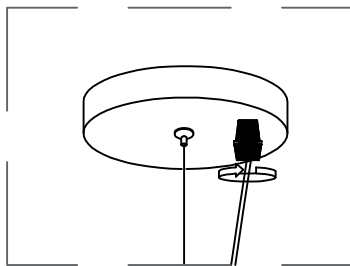


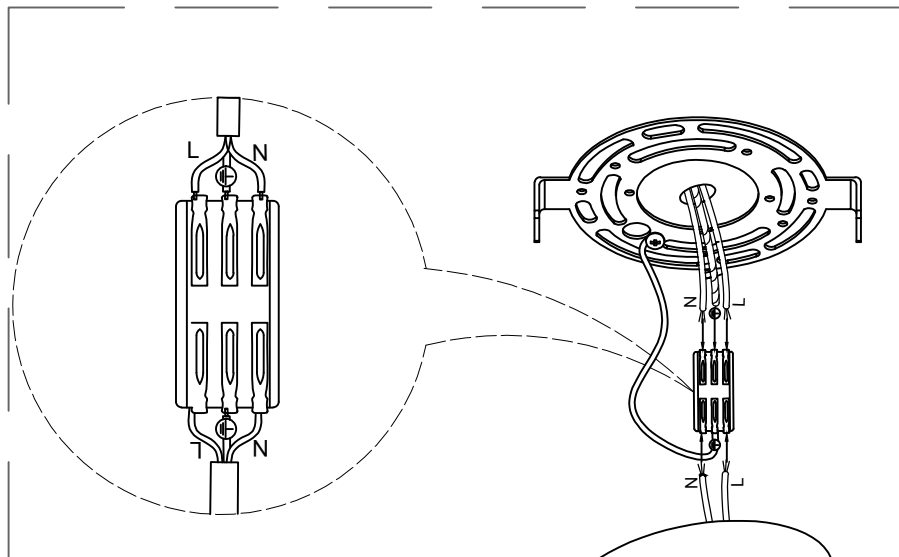
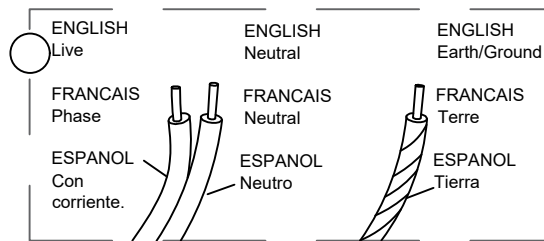
# 1



Fasten the hanging board to the ceiling with screws

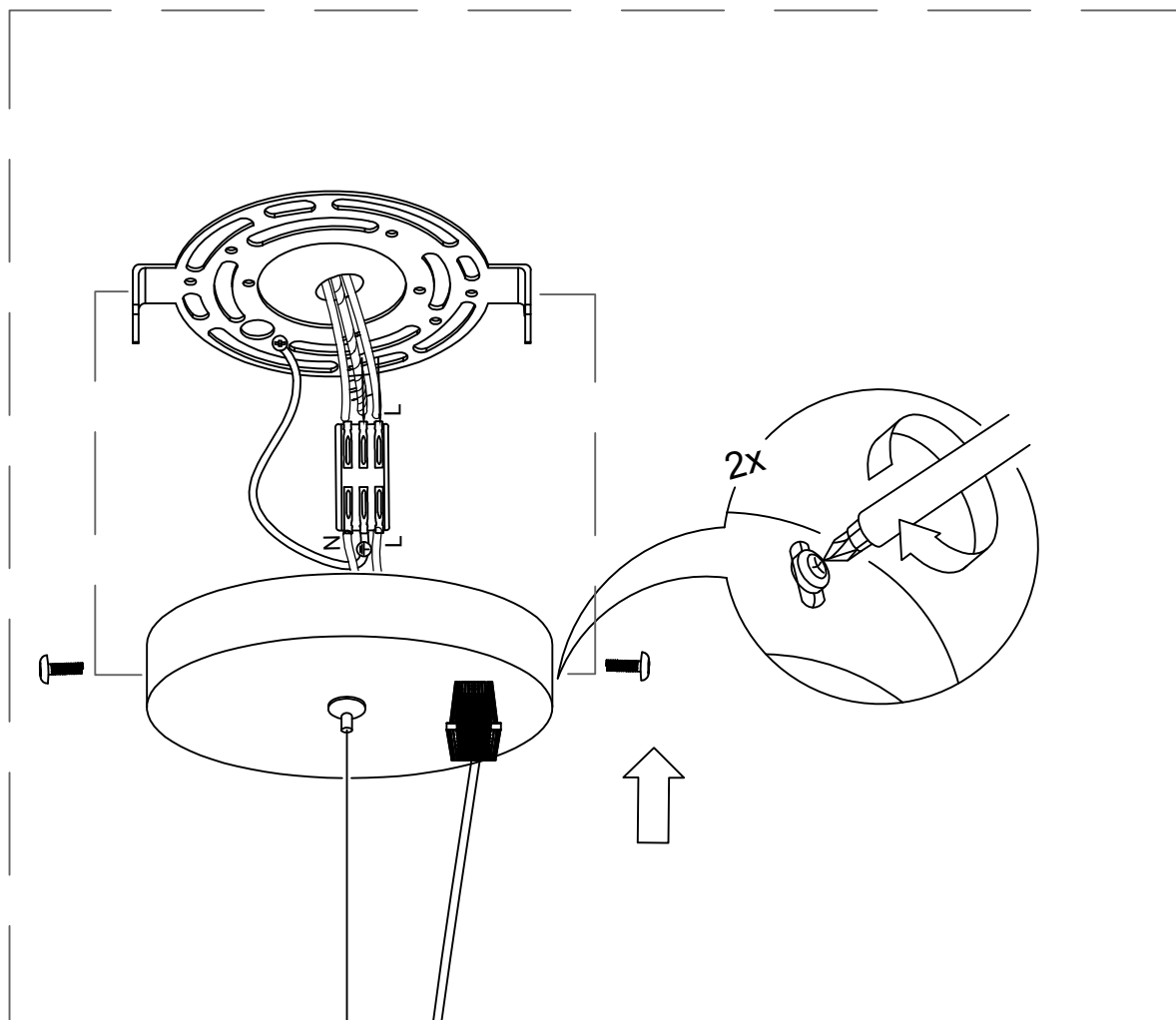


After adjusting the line length, fix it



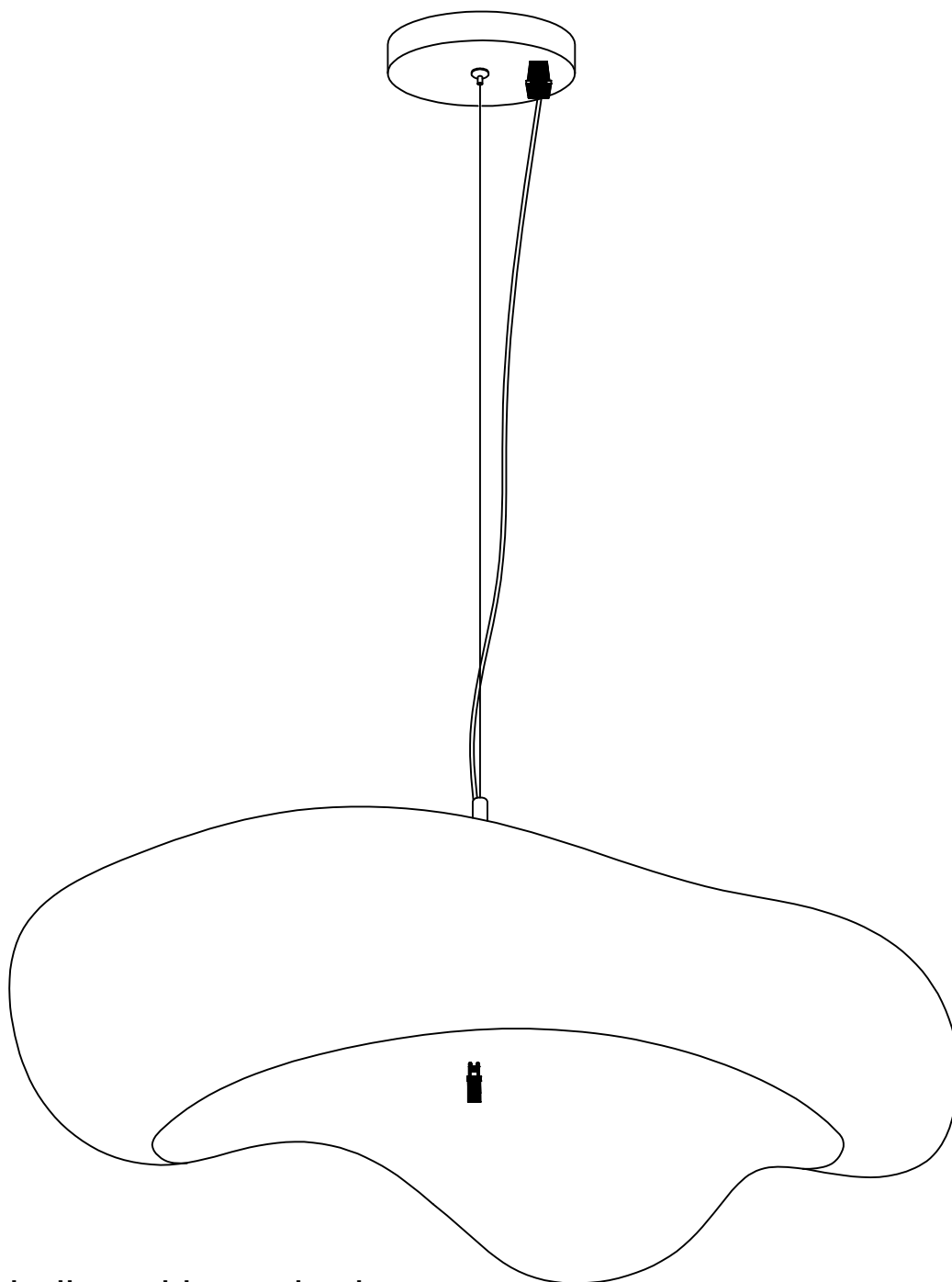
The wires in the home are connected to the wires in the lamps through the wire terminals

# 2



The side screws fix the lamp body to the ceiling plate

3



Install bulb and lampshade

