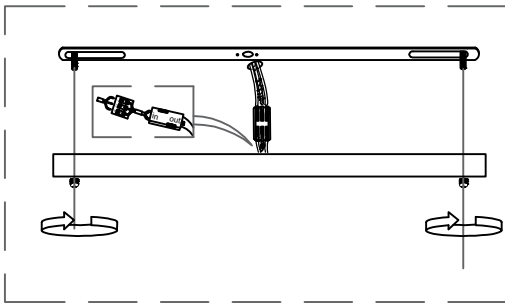
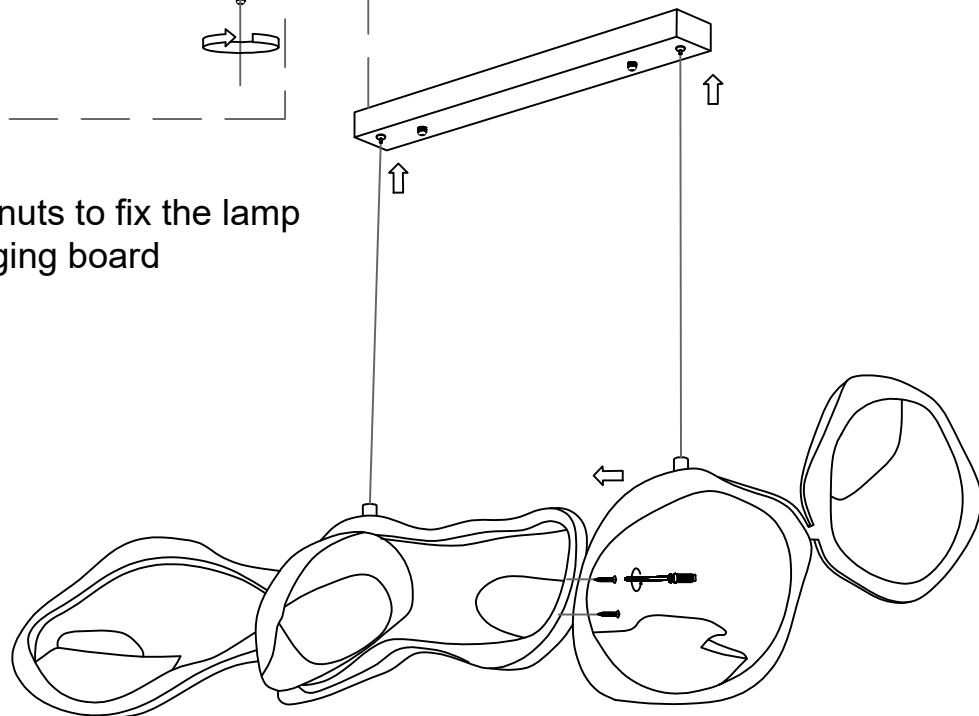


Fasten the hanging board to the ceiling with screws



Use hand-made nuts to fix the lamp body on the hanging board



Connect the lamp body with screws