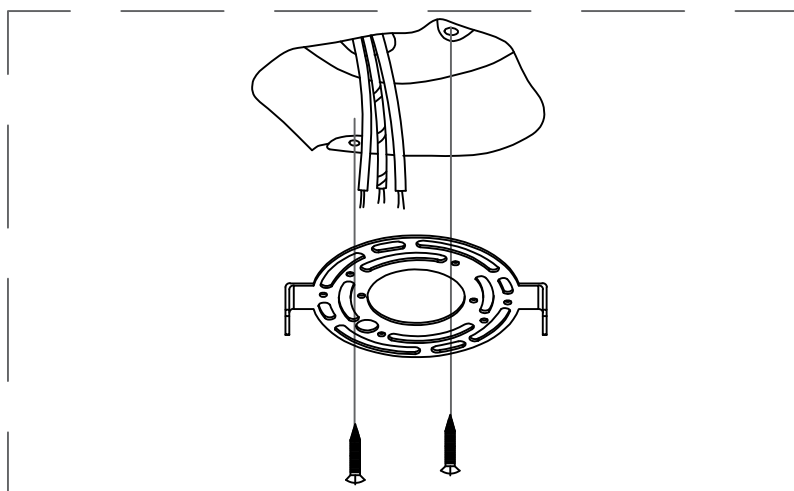
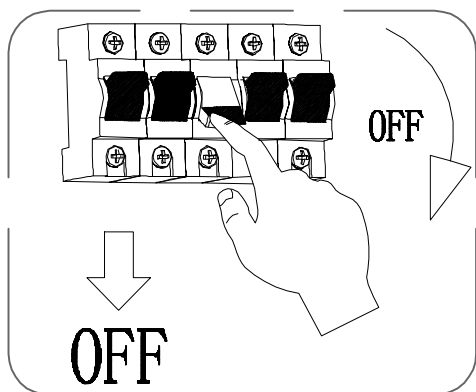
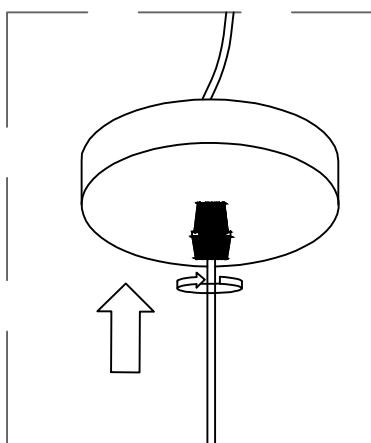


1

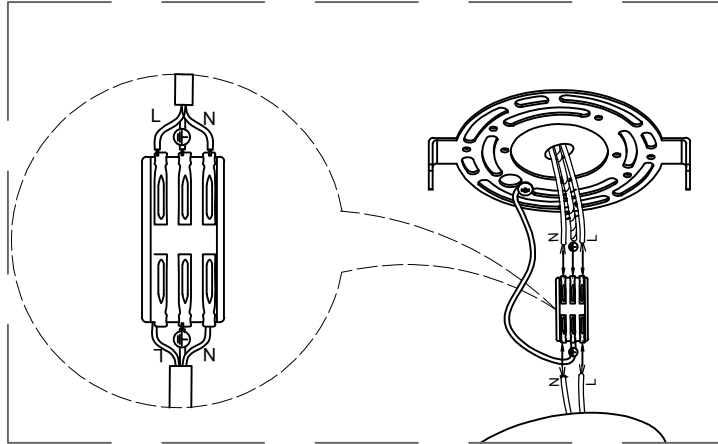
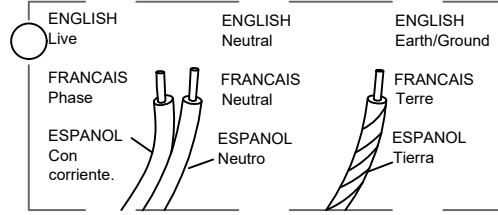


Fasten the hanging board to the ceiling with screws

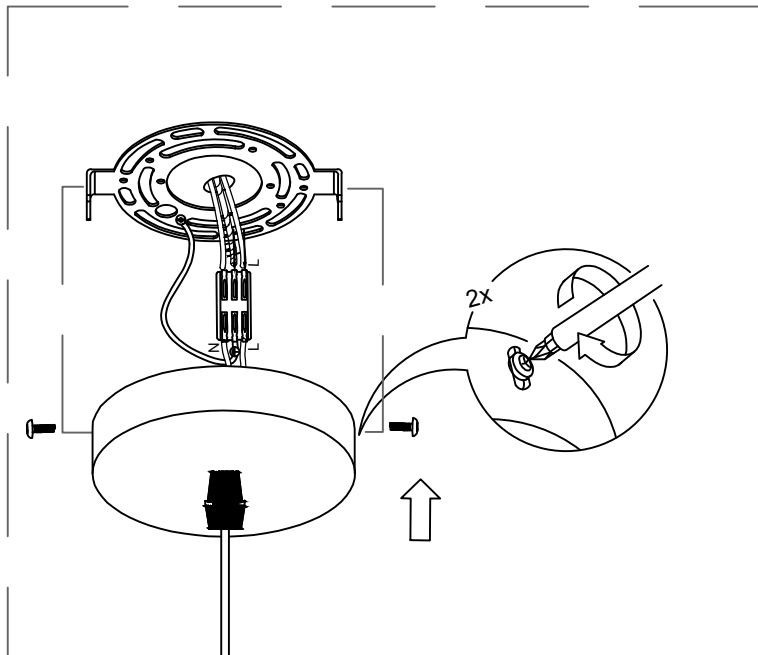


After adjusting the line length, fix it

2

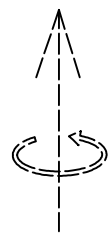
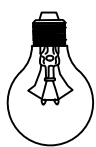
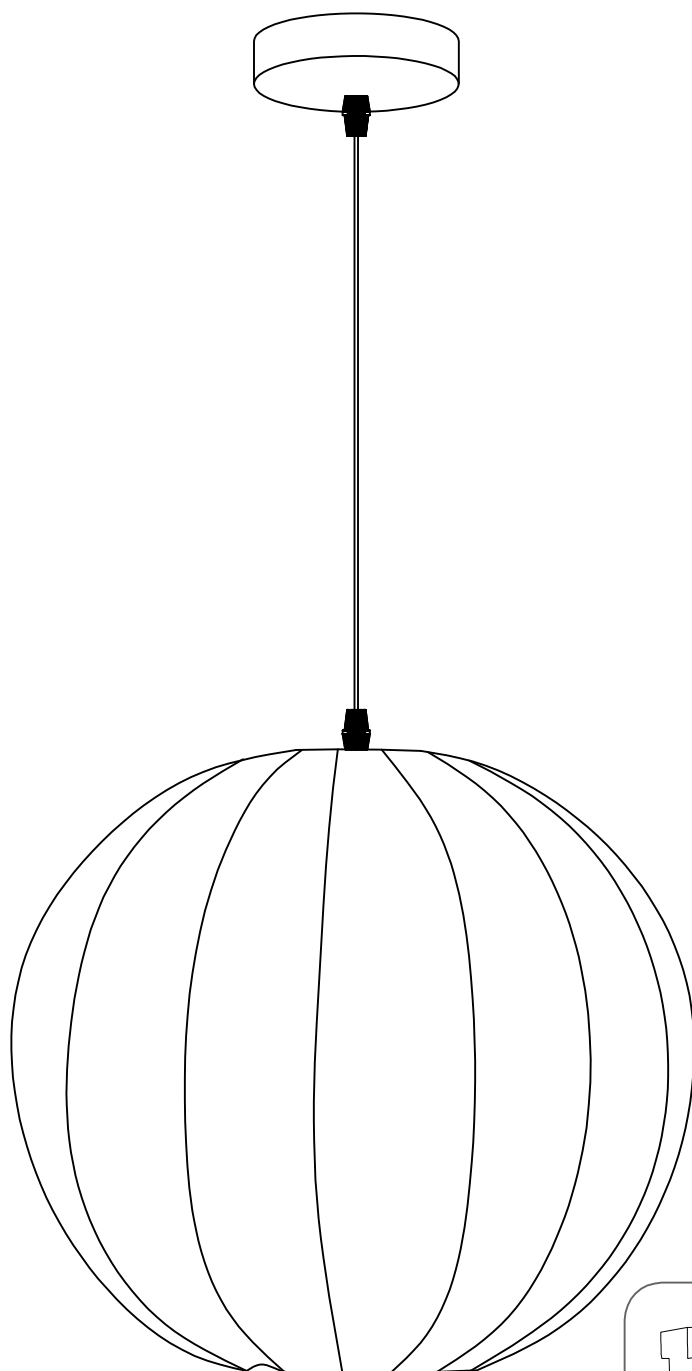


The wires in the home are connected to the wires in the lamps through the wire terminals



The side screws fix the lamp body to the ceiling plate

3



Installing light source

