

1: Fix the hanging board to the ceiling

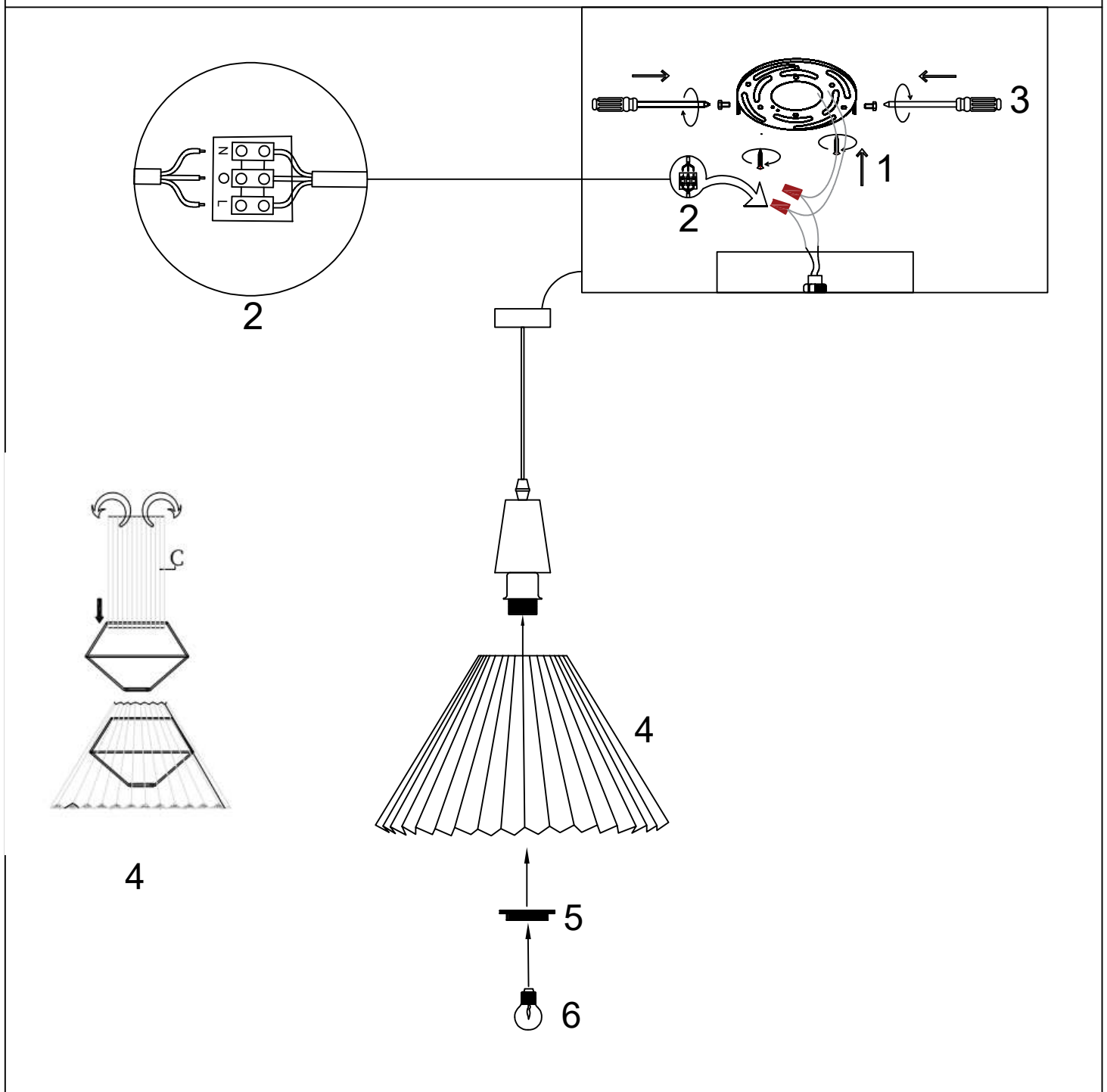
2: Connect the lamp wires to the reserved wires

3: Fix the ceiling tray and hanging board from the side

4: Assembly of lampshade

5: Tighten the lampshade with a ring

6: Installing bulb



1: Fix the hanging board to the ceiling

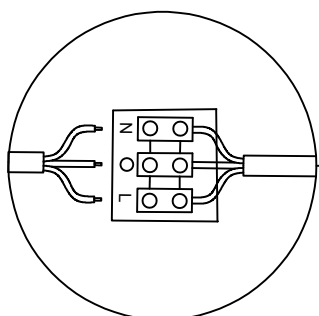
2: Connect the lamp wires to the reserved wires

3: Fix the ceiling tray and hanging board from the side

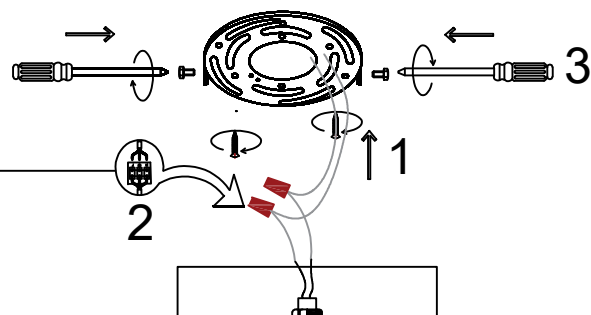
4: Assembly of lampshade

5: Tighten the lampshade with a ring

6: Installing bulb



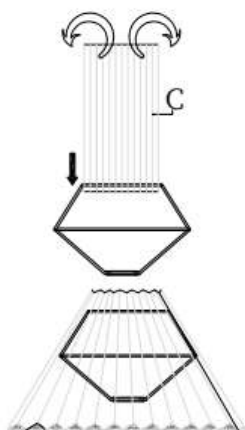
2



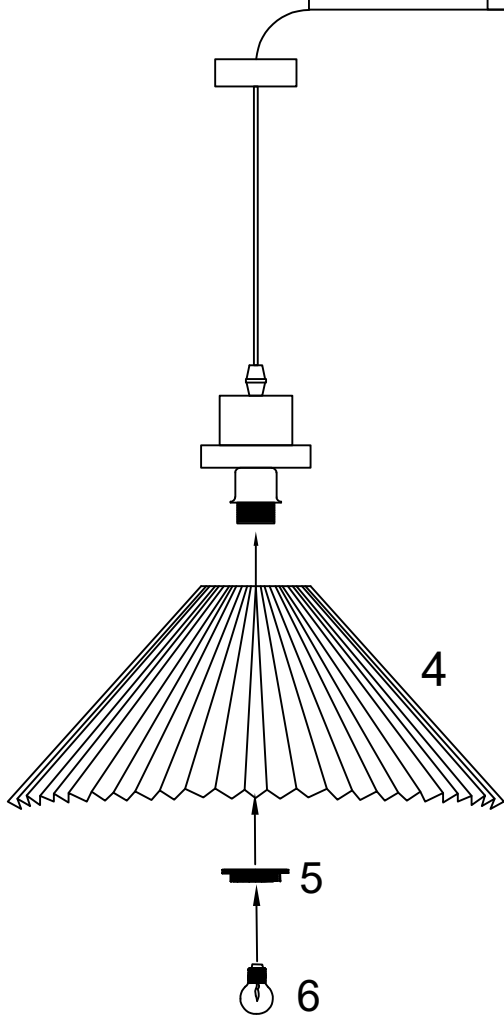
3

2

1



4



4

5

6

1: Fix the hanging board to the ceiling

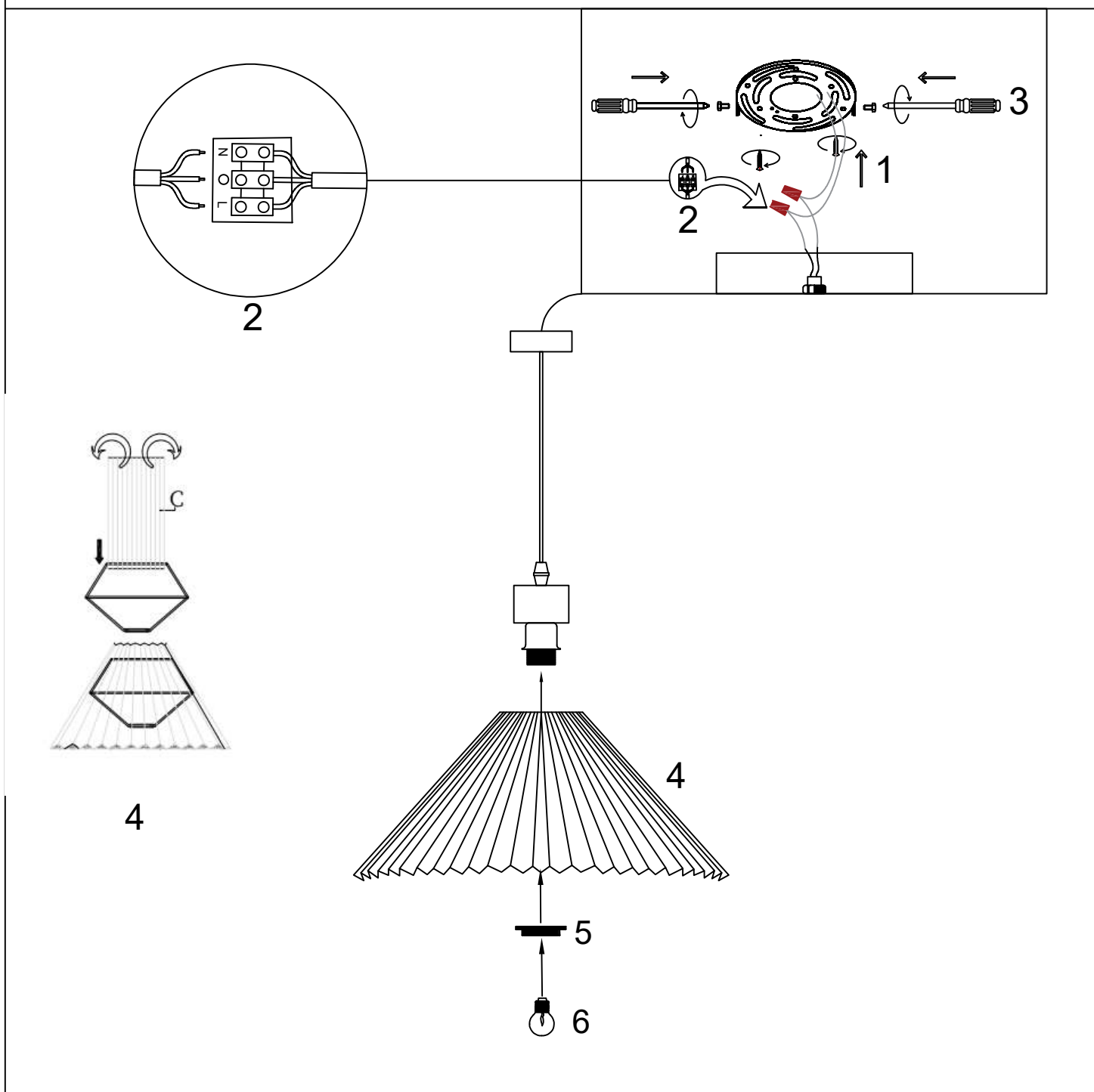
2: Connect the lamp wires to the reserved wires

3: Fix the ceiling tray and hanging board from the side

4: Assembly of lampshade

5: Tighten the lampshade with a ring

6: Installing bulb



1: Fix the hanging board to the ceiling

2: Connect the lamp wires to the reserved wires

3: Tighten the nut to secure the lamp body

