

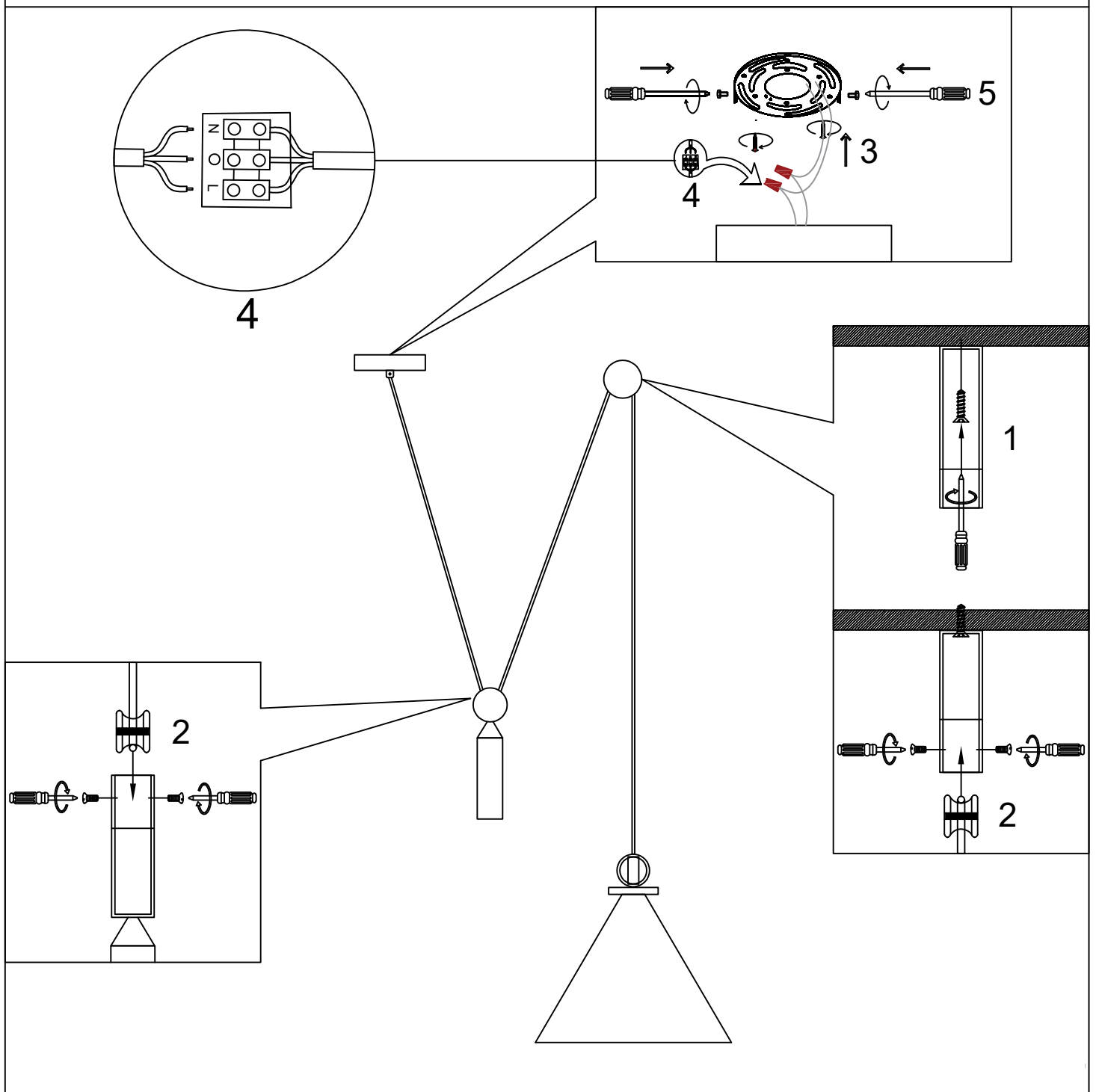
1: Fix the hardware to the ceiling with self tapping screws

2: Fix the pulley from the side with screws

3: Fix the hanging board to the ceiling

4: Connect the lamp wires to the reserved wires

5: Fix the ceiling tray and hanging board from the side



1: Fix the hardware to the ceiling with self tapping screws

2: Fix the pulley from the side with screws

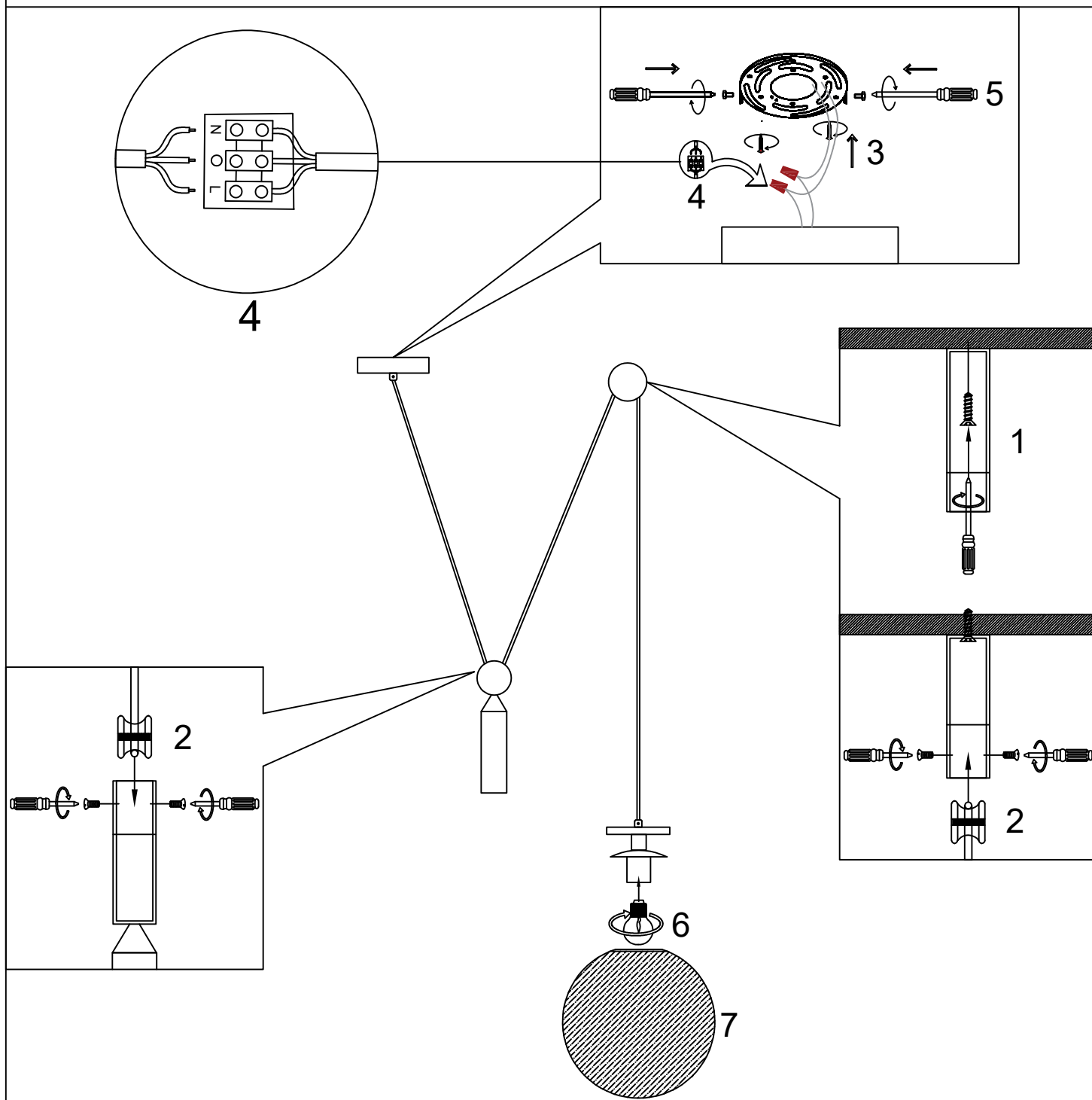
3: Fix the hanging board to the ceiling

4: Connect the lamp wires to the reserved wires

5: Fix the ceiling tray and hanging board from the side

6: Installing bulb

7: Align the vehicle parts and tighten the lampshade



1: Fix the hardware to the ceiling with self tapping screws

2: Fix the pulley from the side with screws

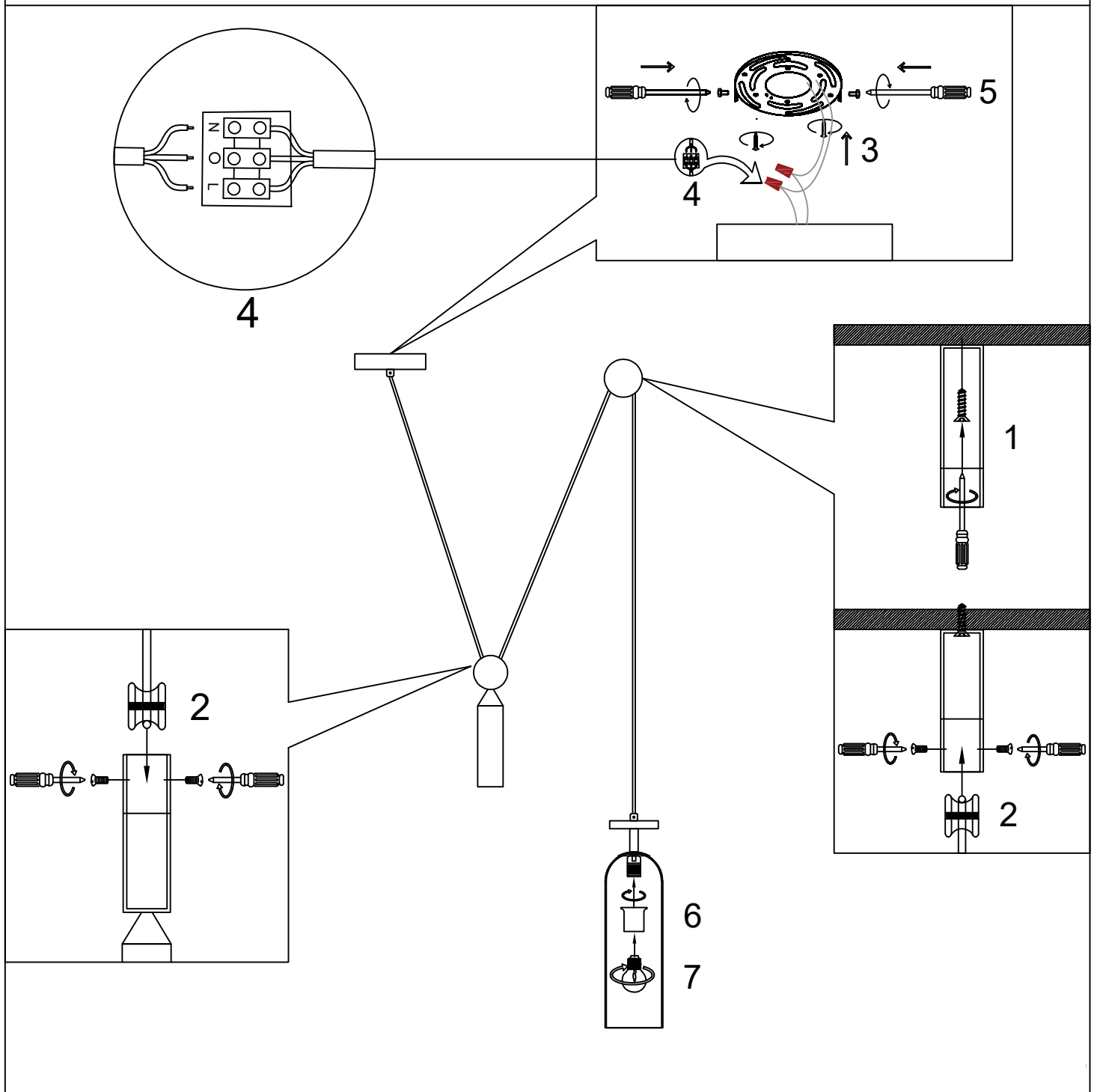
3: Fix the hanging board to the ceiling

4: Connect the lamp wires to the reserved wires

5: Fix the ceiling tray and hanging board from the side

6: Tighten the lampshade with a ring

7: Installing bulb



1: Fix the hardware to the ceiling with self tapping screws

2: Fix the pulley from the side with screws

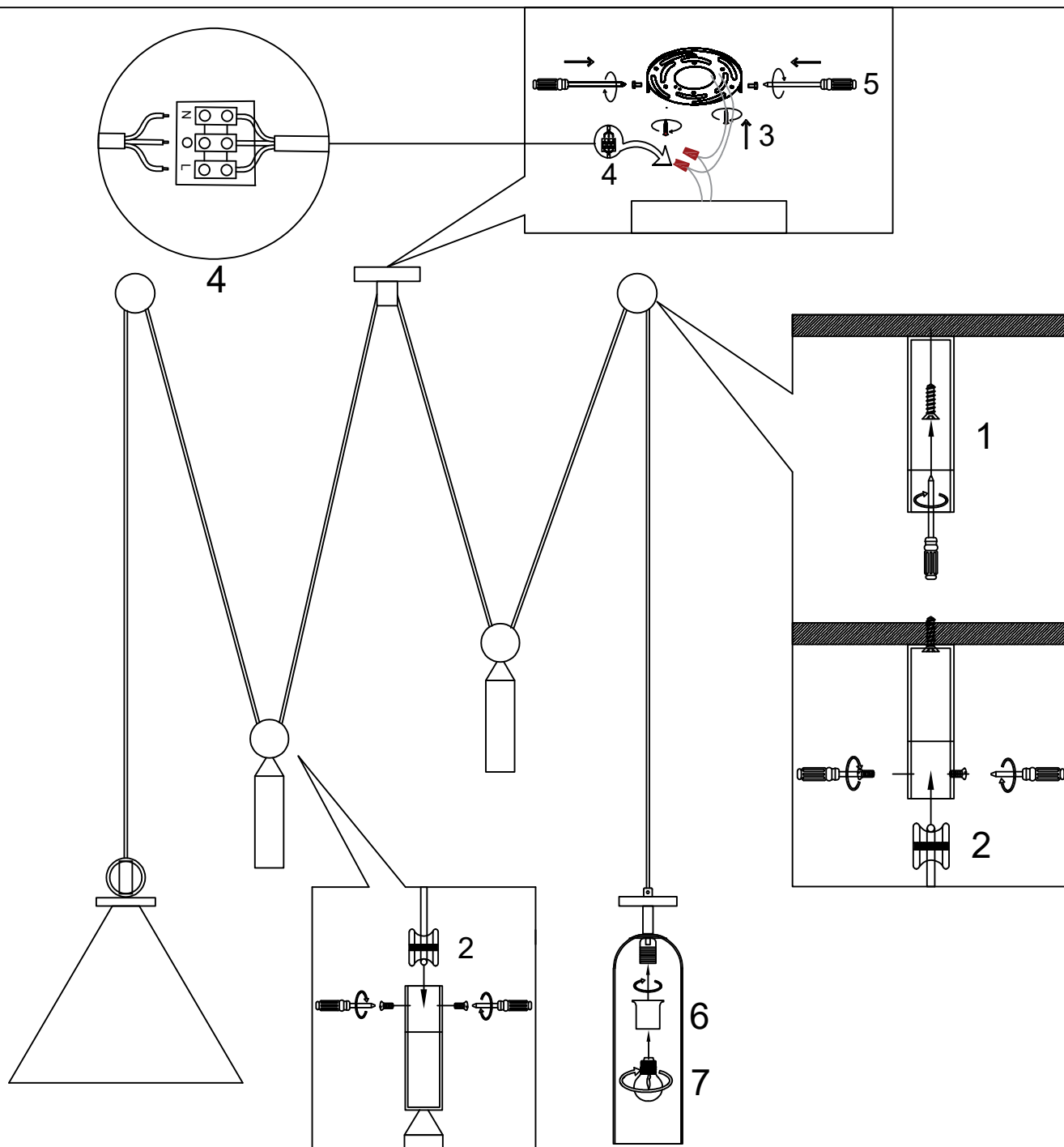
3: Fix the hanging board to the ceiling

4: Connect the lamp wires to the reserved wires

5: Fix the ceiling tray and hanging board from the side

6: Tighten the lampshade with a ring

7: Installing bulb



1: Fix the hanging board to the ceiling

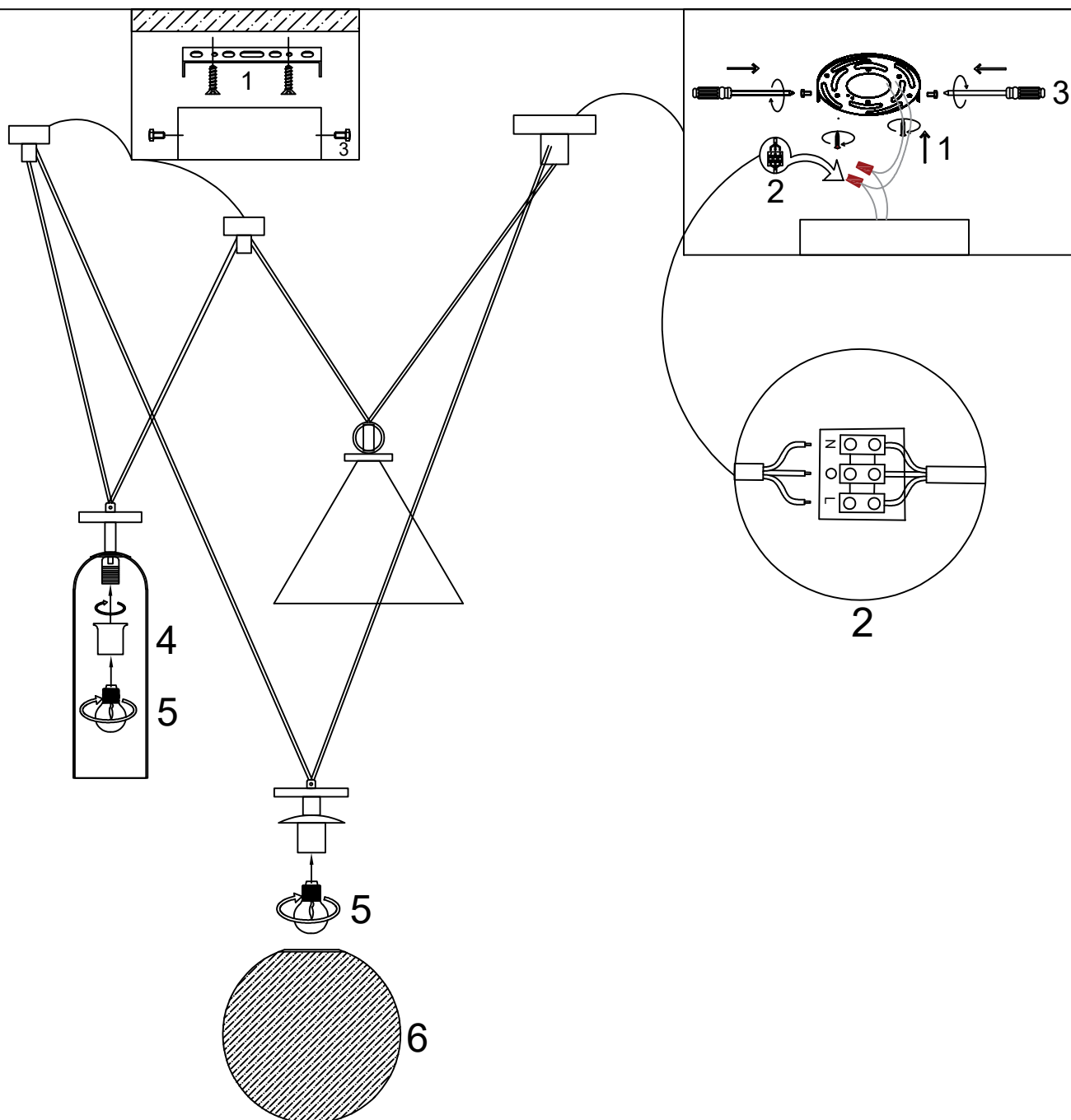
2: Connect the lamp wires to the reserved wires

3: Fix the ceiling tray and hanging board from the side

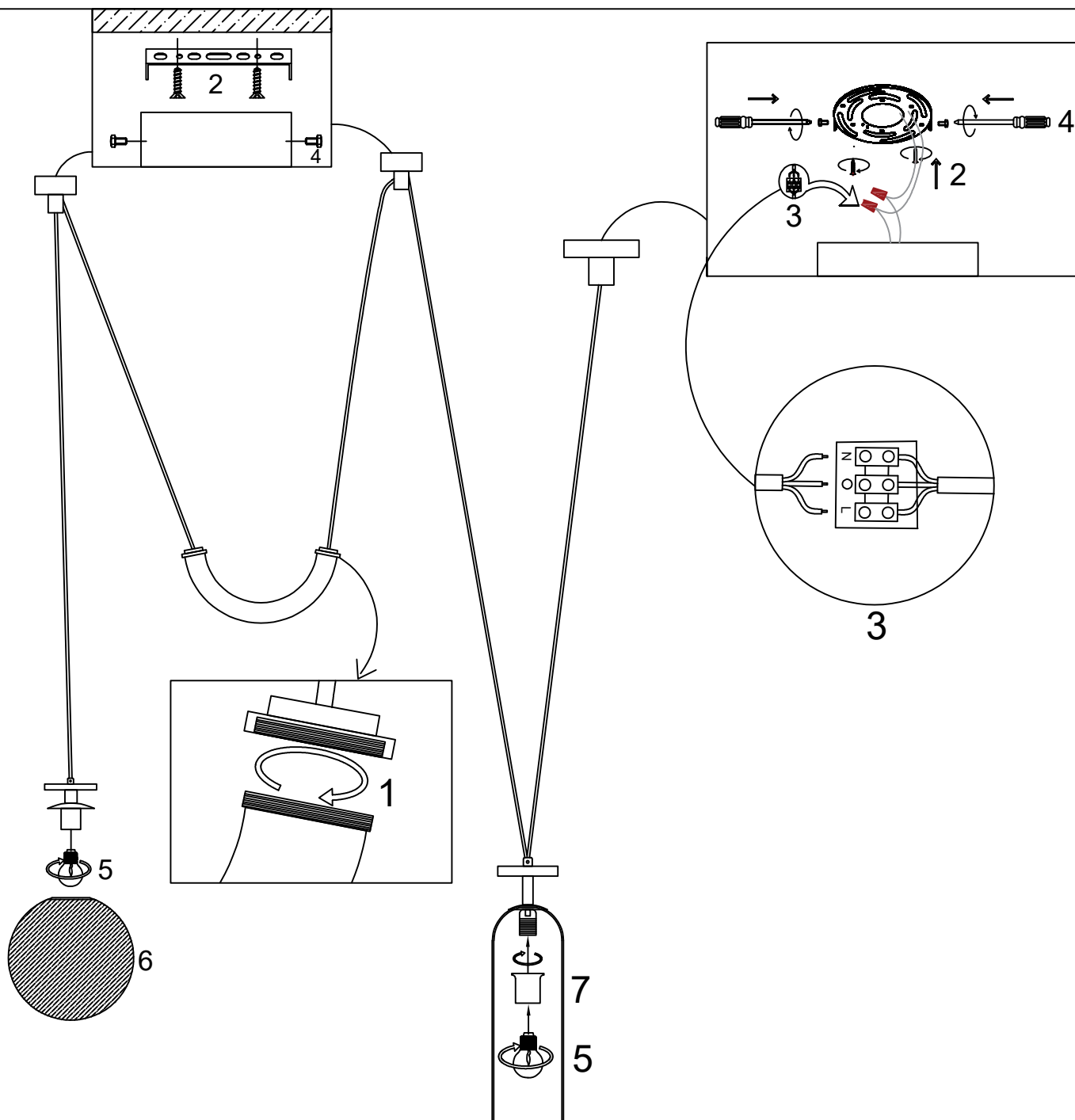
4: Tighten the lampshade with a ring

5: Installing bulb

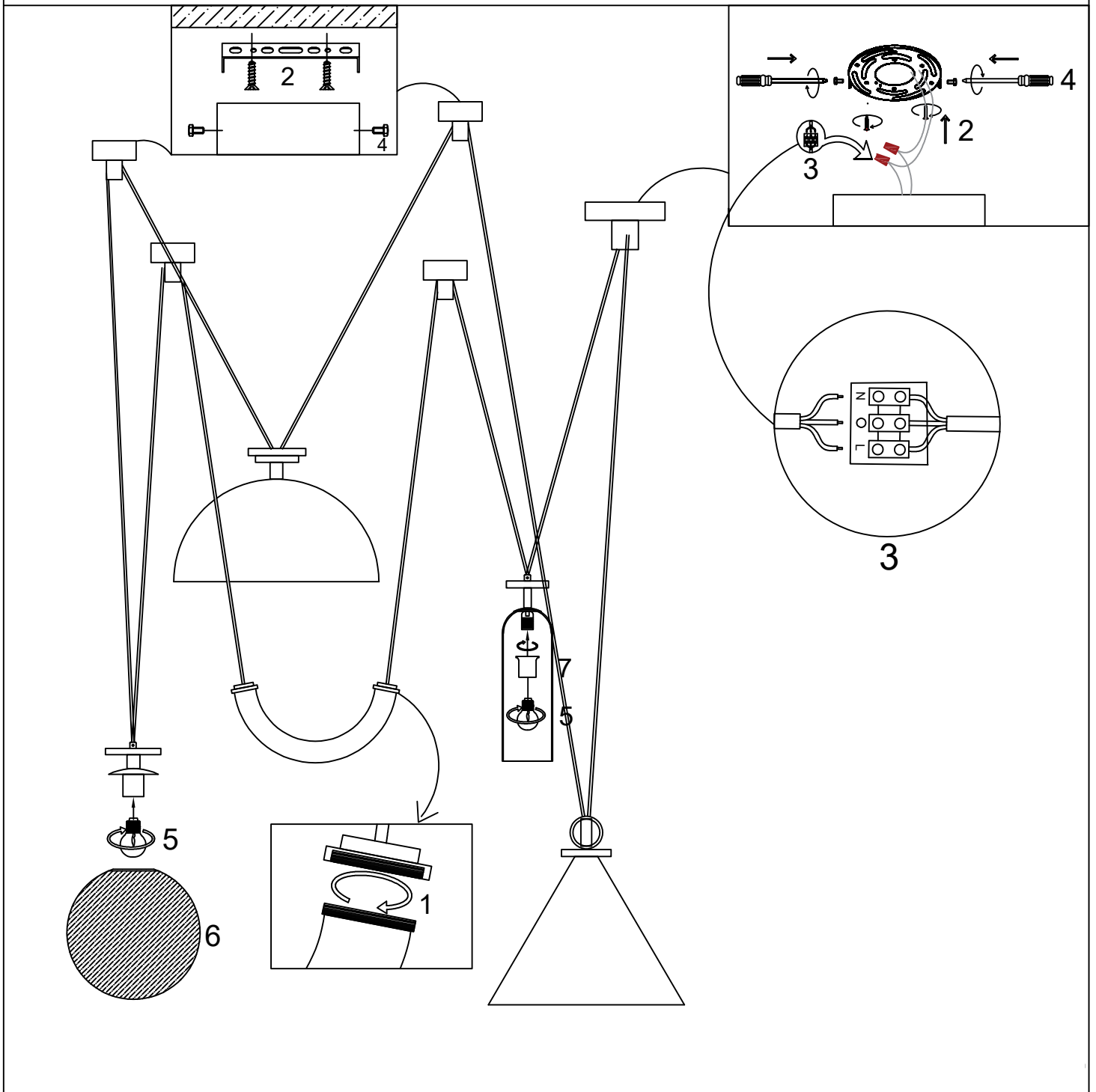
6: Install the lampshade



- 1: Tighten the lampshade with a ring
- 2: Fix the hanging board to the ceiling
- 3: Connect the lamp wires to the reserved wires
- 4: Fix the ceiling tray and hanging board from the side
- 5: Installing bulb
- 6: Align the vehicle parts and tighten the lampshade
- 7: Tighten the lampshade with a ring



- 1:Tighten the lampshade with a ring
- 2:Fix the hanging board to the ceiling
- 3:Connect the lamp wires to the reserved wires
- 4:Fix the ceiling tray and hanging board from the side
- 5:Installing bulb
- 6:Align the vehicle parts and tighten the lampshade
- 7:Tighten the lampshade with a ring



1: Fix the hardware to the ceiling with self tapping screws

2: Fix the pulley from the side with screws

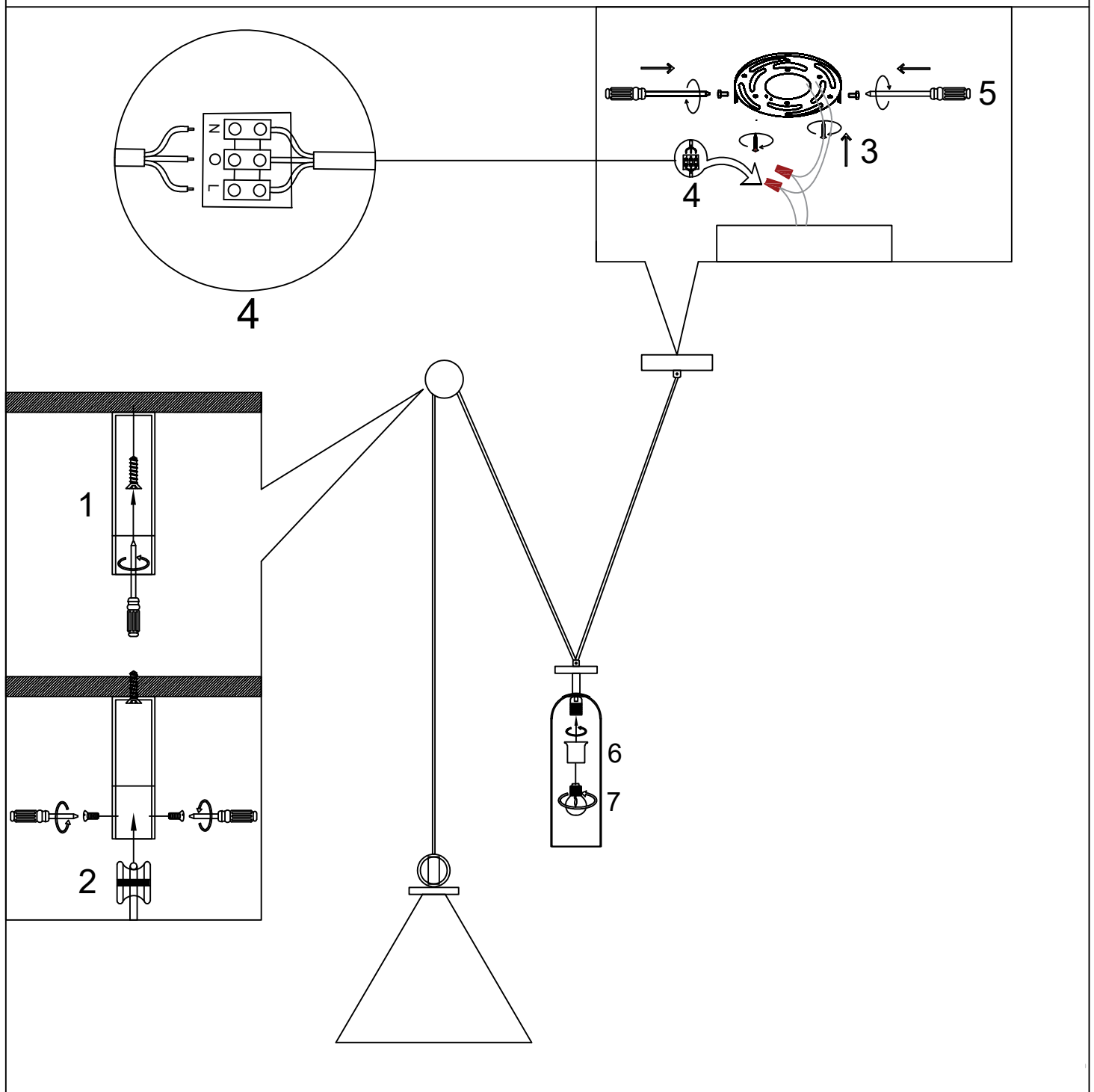
3: Fix the hanging board to the ceiling

4: Connect the lamp wires to the reserved wires

5: Fix the ceiling tray and hanging board from the side

6: Tighten the lampshade with a ring

7: Installing bulb



1:Fix the hanging board to the ceiling

2:Connect the lamp wires to the reserved wires

3:Fix the ceiling tray and hanging board from the side

4:Installing bulb

5:Align the vehicle parts and tighten the lampshade

6:Tighten the lampshade with a ring

