

1: Fix the hanging board to the ceiling

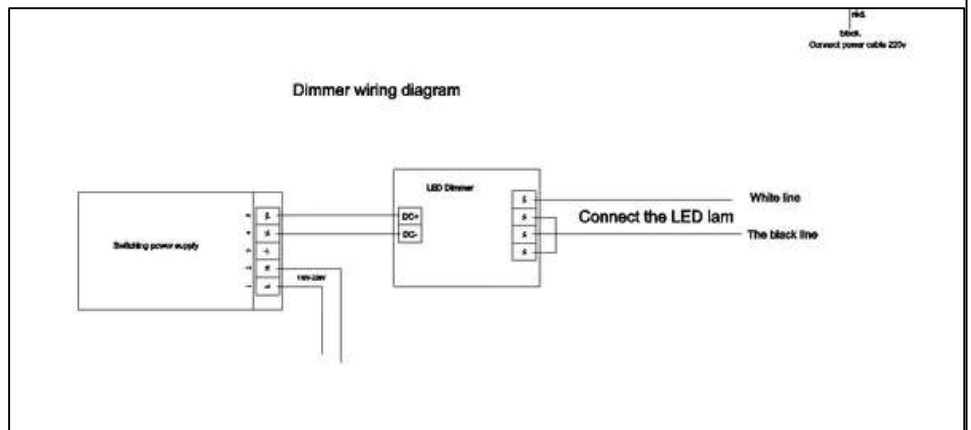
2: Reference image wiring

3: Fix the ceiling tray and hanging board from the side

4: Insert lampshade



N connection wire neutral wire
L to connect the wire live wire



Electrical connection instructions

Remote control installation instructions

