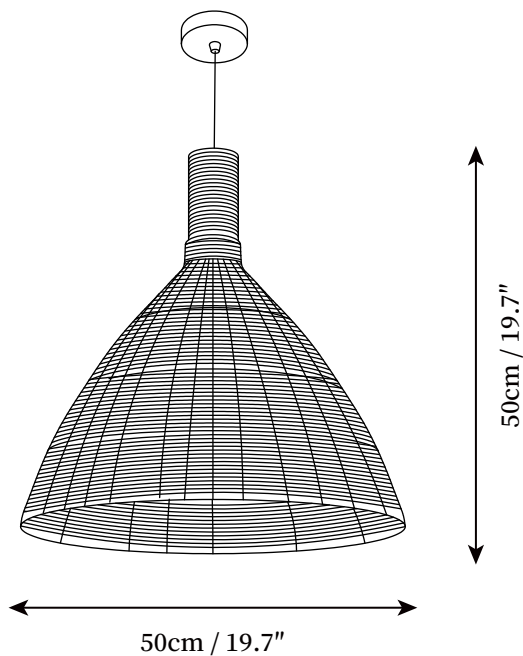


# SPECIFICATION SHEET

---



## SPECIFICATION DETAILS

\*For custom options, consult factory for details

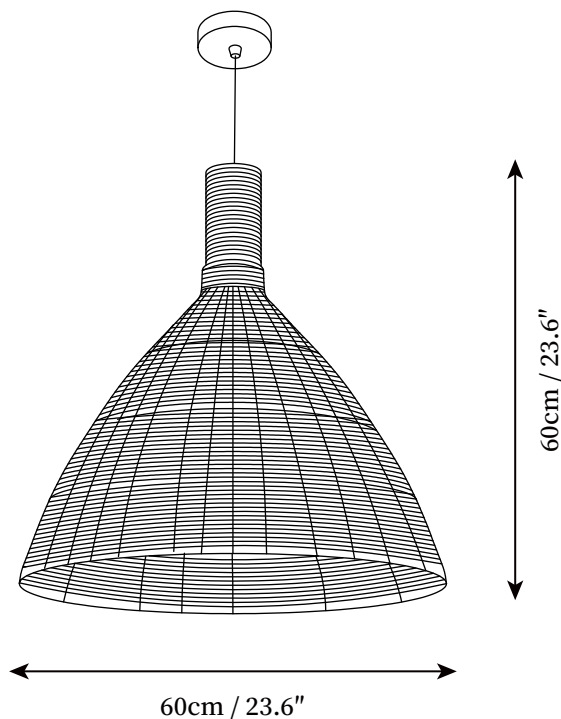
---

<b>Fixture Dimensions</b>	D 19.7" x H 19.7"
<b>Light source</b>	E26 or E27 (bulb not included)
<b>Wattage</b>	MAX 40W incandescent bulb or LED equivalent.
<b>Voltage</b>	AC 110-240V
<b>Mounting</b>	Hardwired.
<b>Dimming</b>	Compatible with dimmable bulbs (bulb not included)
<b>Control method</b>	Compatible with common wall switches (not included)
<b>Finishes</b>	Natural rattan.
<b>Shade Details</b>	Natural rattan.
<b>Material</b>	Rattan, Metal.
<b>Wire Length</b>	The standard length of the cord is 59" (150 cm), the length is adjustable.

---

# SPECIFICATION SHEET

---



## SPECIFICATION DETAILS

\*For custom options, consult factory for details

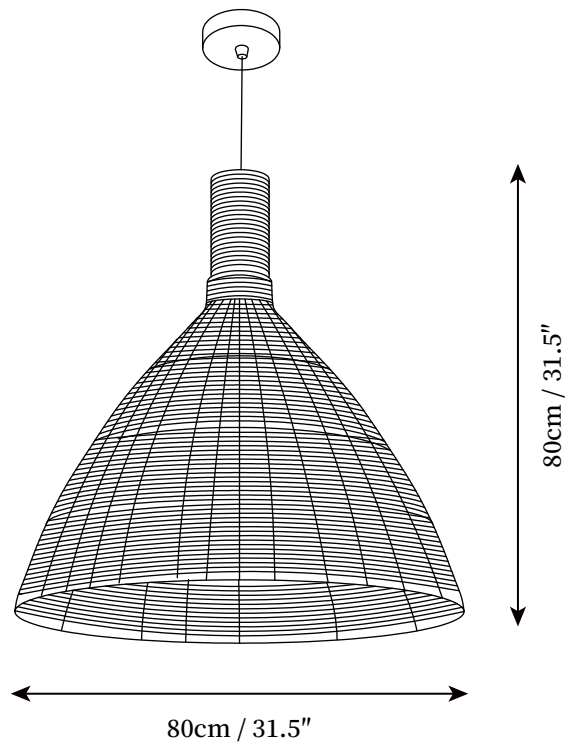
---

<b>Fixture Dimensions</b>	D 23.6" x H 23.6"
<b>Light source</b>	E26 or E27 (bulb not included)
<b>Wattage</b>	MAX 40W incandescent bulb or LED equivalent.
<b>Voltage</b>	AC 110-240V
<b>Mounting</b>	Hardwired.
<b>Dimming</b>	Compatible with dimmable bulbs (bulb not included)
<b>Control method</b>	Compatible with common wall switches (not included)
<b>Finishes</b>	Natural rattan.
<b>Shade Details</b>	Natural rattan.
<b>Material</b>	Rattan, Metal.
<b>Wire Length</b>	The standard length of the cord is 59" (150 cm), the length is adjustable.

---

# SPECIFICATION SHEET

---



## SPECIFICATION DETAILS

\*For custom options, consult factory for details

---

<b>Fixture Dimensions</b>	D 31.5" x H 31.5"
<b>Light source</b>	E26 or E27 (bulb not included)
<b>Wattage</b>	MAX 40W incandescent bulb or LED equivalent.
<b>Voltage</b>	AC 110-240V
<b>Mounting</b>	Hardwired.
<b>Dimming</b>	Compatible with dimmable bulbs (bulb not included)
<b>Control method</b>	Compatible with common wall switches (not included)
<b>Finishes</b>	Natural rattan.
<b>Shade Details</b>	Natural rattan.
<b>Material</b>	Rattan, Metal.
<b>Wire Length</b>	The standard length of the cord is 59" (150 cm), the length is adjustable.

---