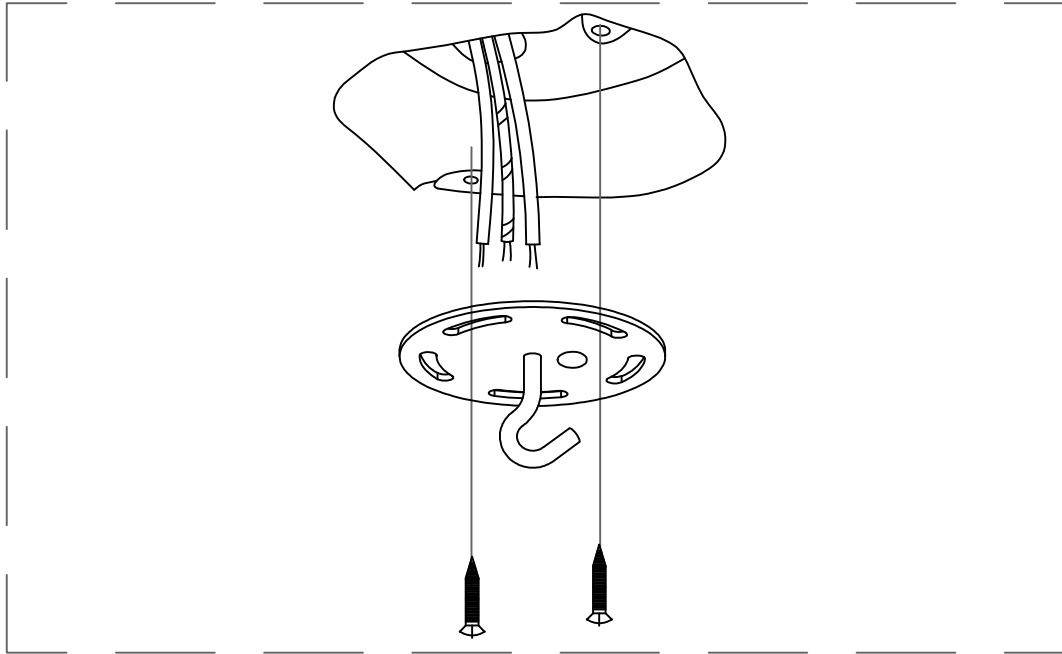
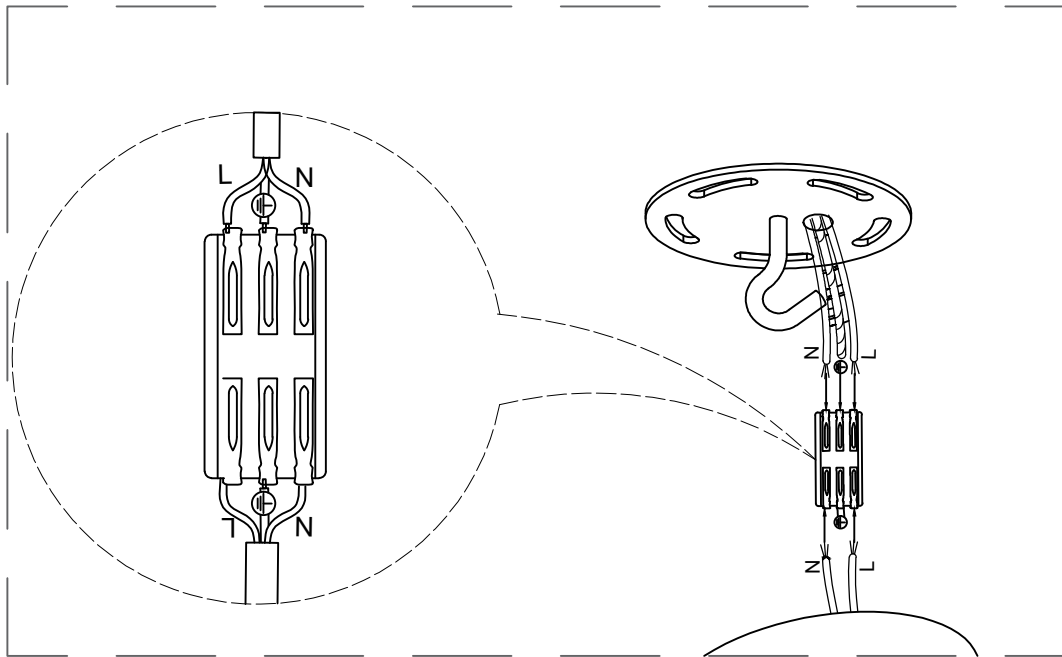


1

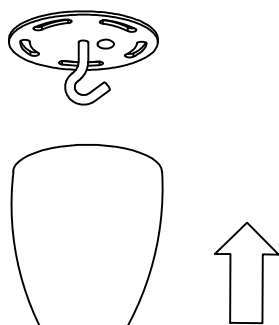


Fasten the hanging board to the ceiling with screws

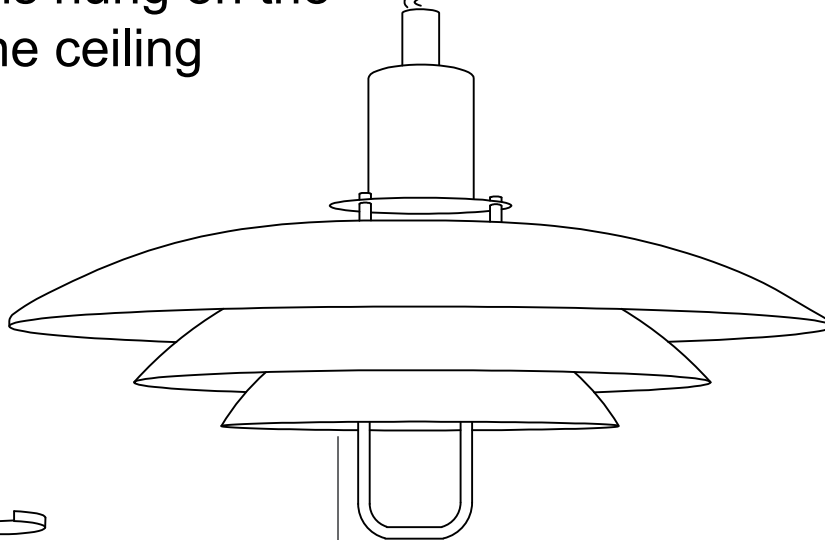


The wires in the home are connected to the wires in the lamps through the wire terminals

2



The lamp is hung on the hook on the ceiling



Installing the light source