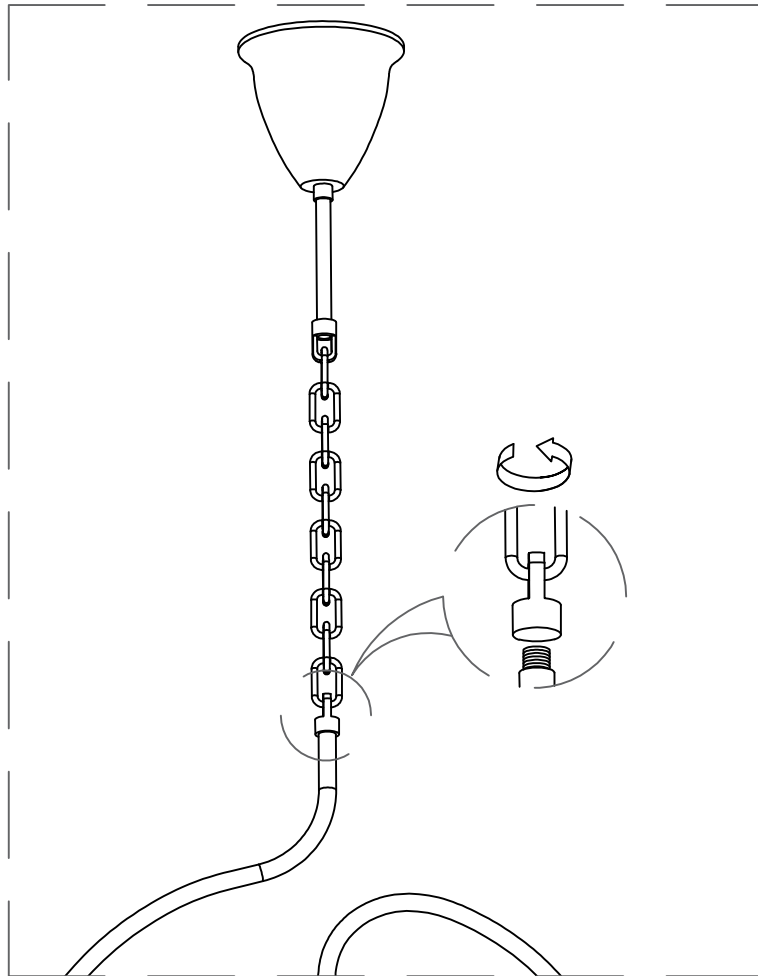
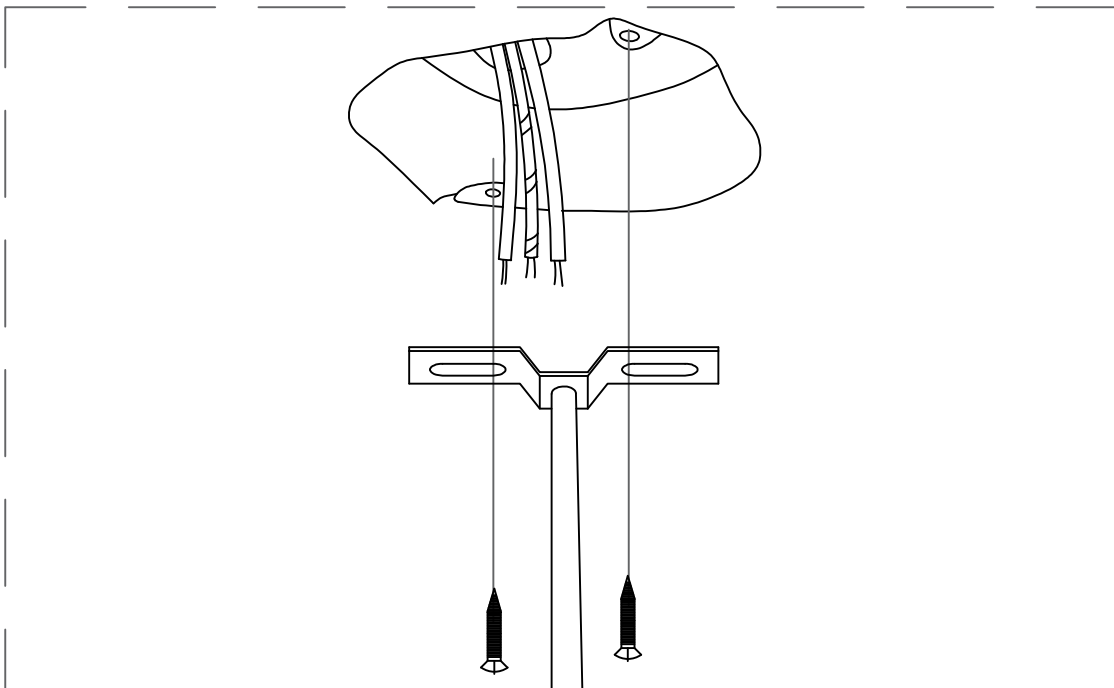


1

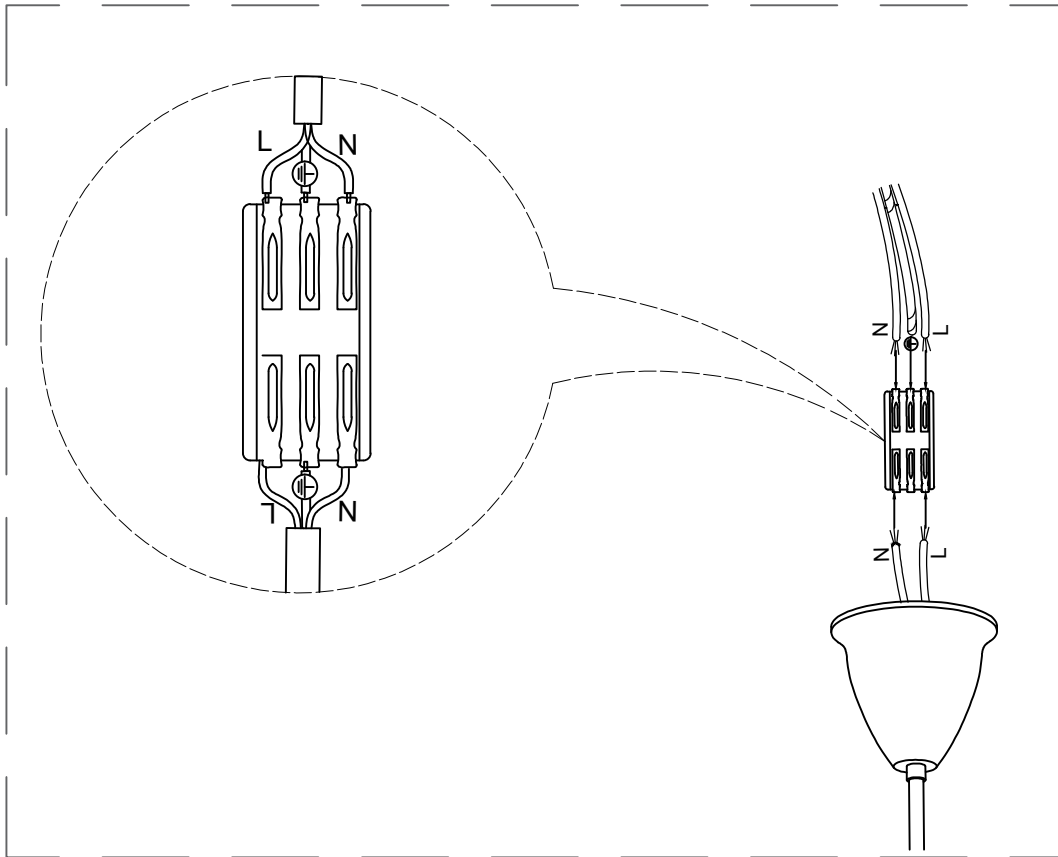


The hanging chain and the lamp body are assembled together

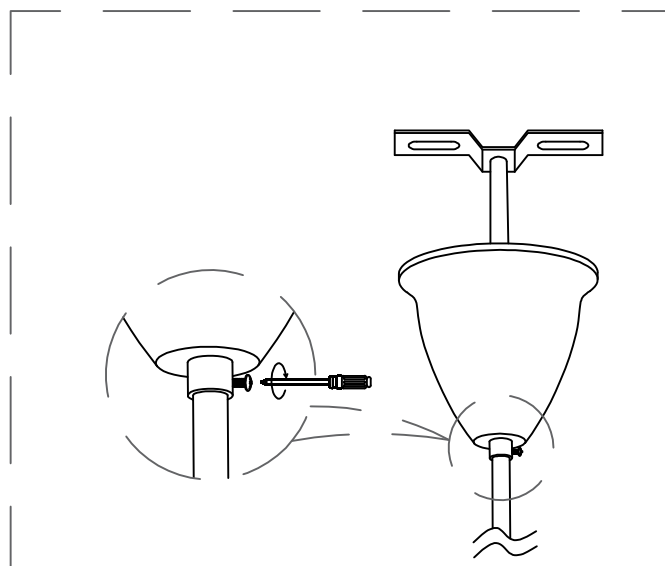


Fasten the hanging board to the ceiling with screws

2

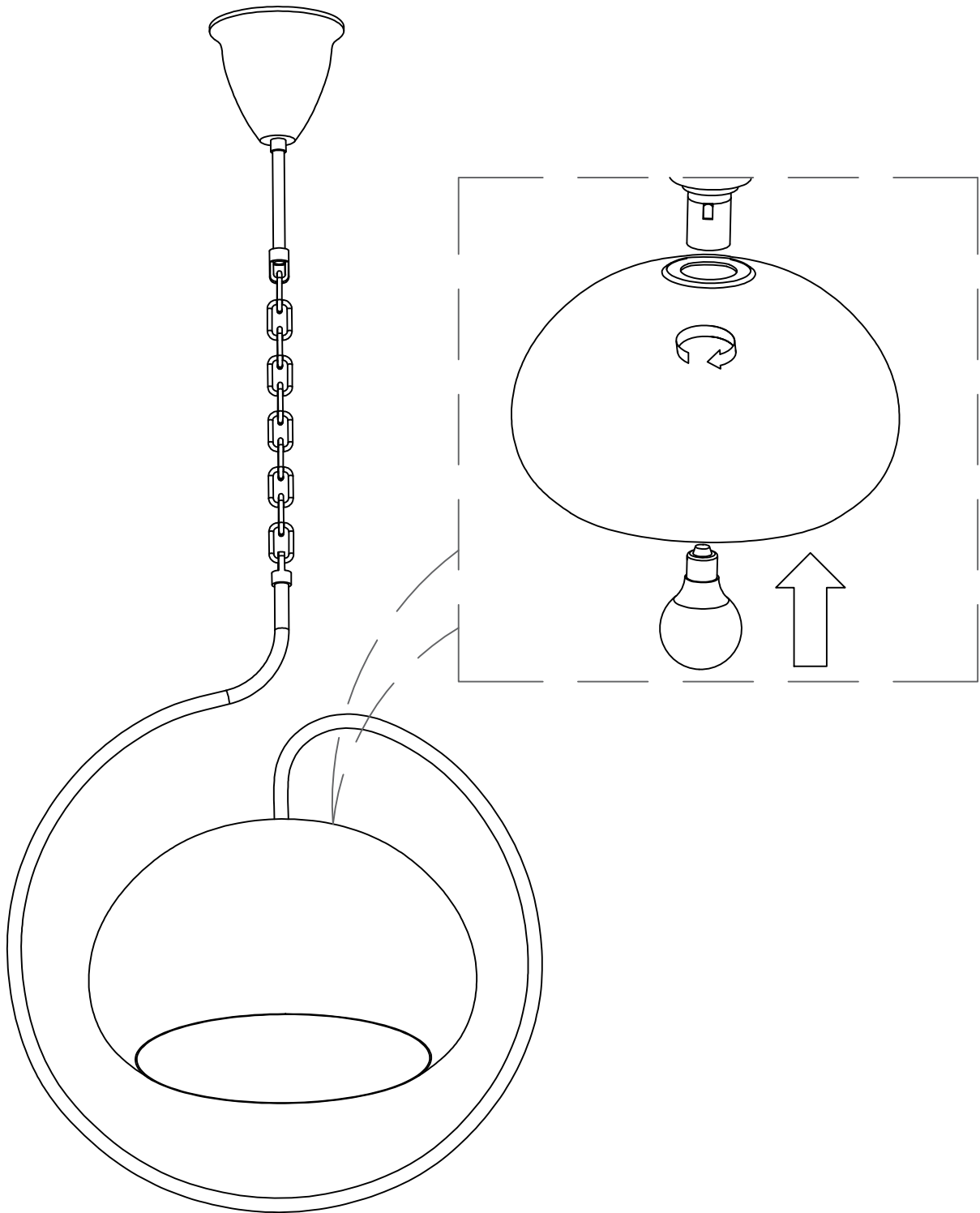


The wires in the home are connected to the wires in the lamps through the wire terminals



Side screw fixing

3



Screw it into the lampshade and install the light source