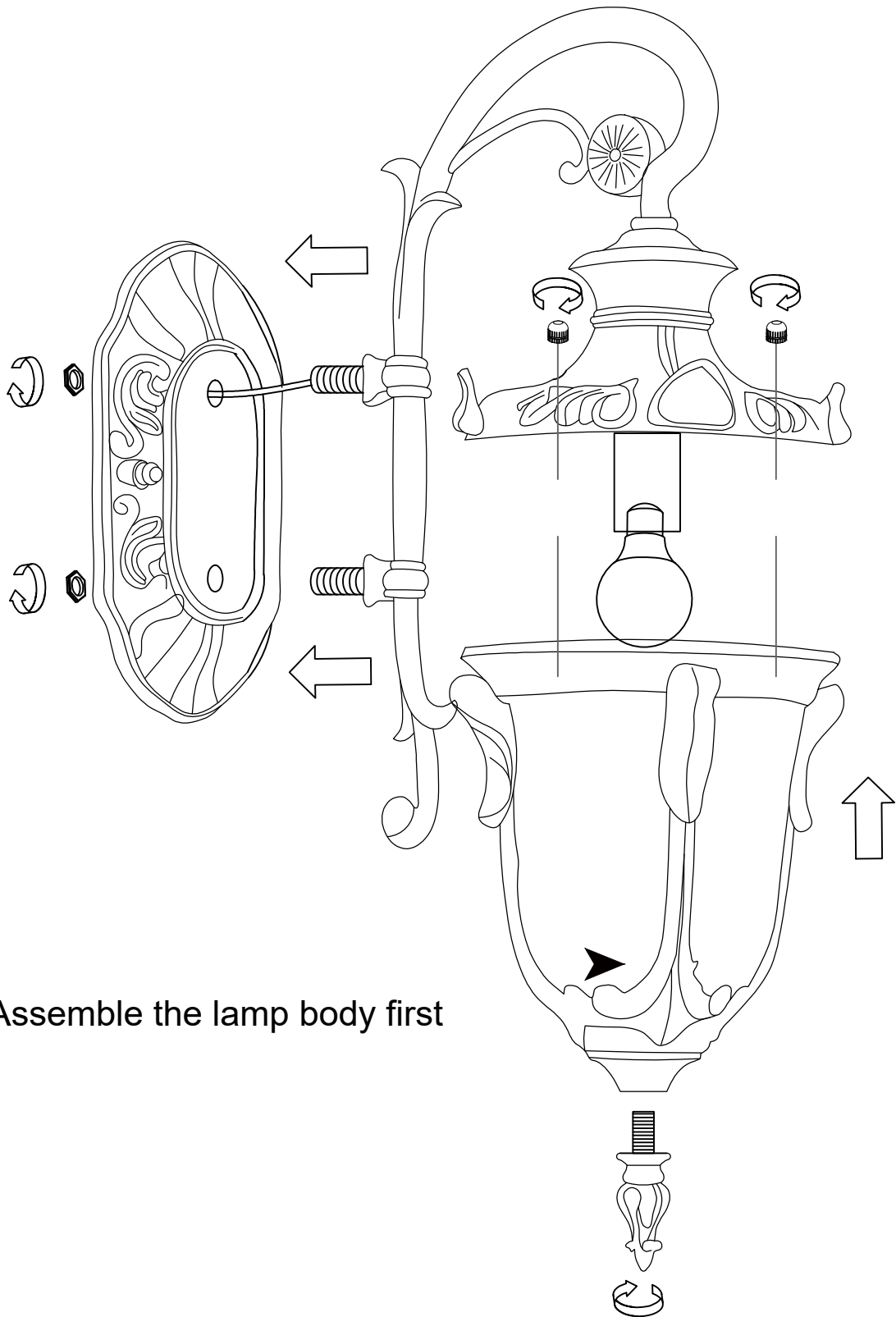
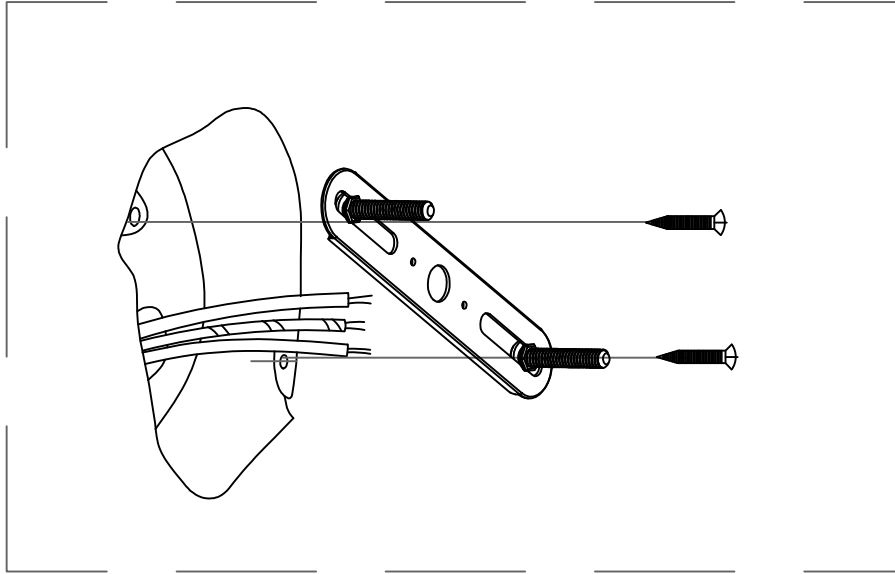


1

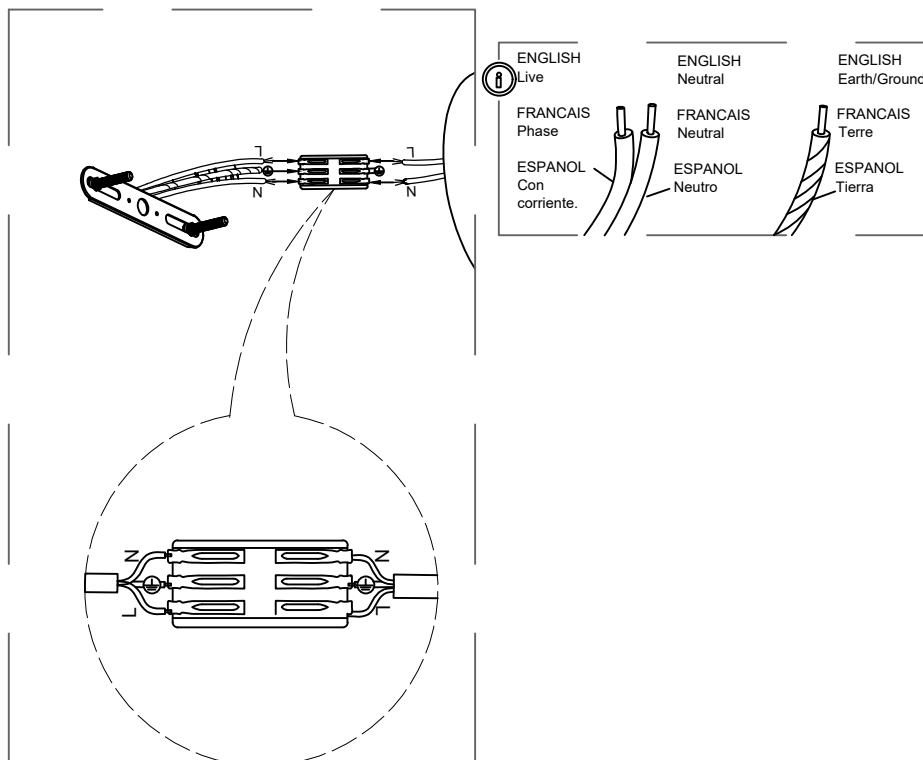


Assemble the lamp body first

2

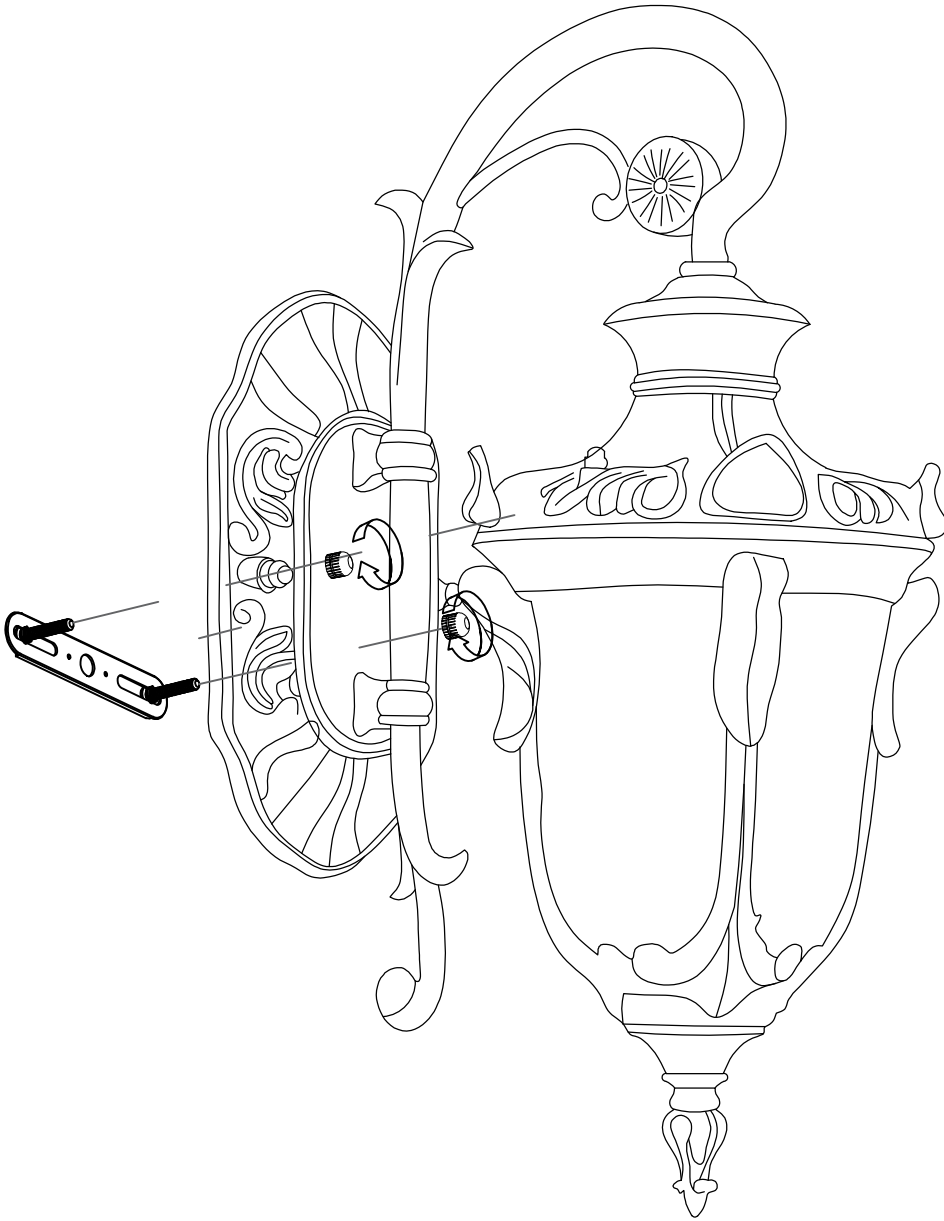


Fix the slotted baffle to the wall with screws



The wires in the home are connected to the wires in the lamps through the wire terminals

3



Use a hand nut to fix the lamp body on the hanging plate