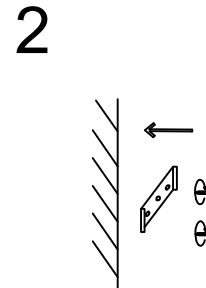
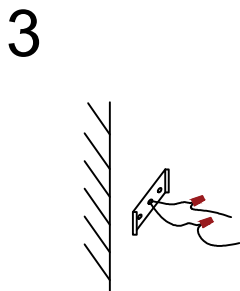


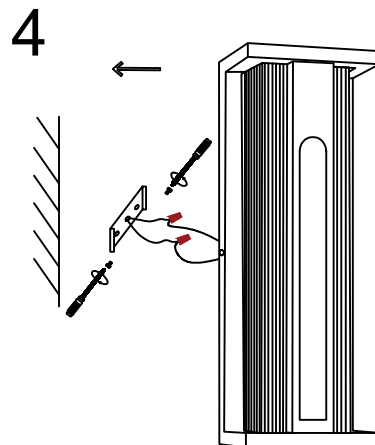
Drill holes in the wall and insert expansion screws



Install the hanging plate on the wall



The electric wires in the home connect to the light fixtures



Install the lamp body on the hanging plate

Note: Please turn off the power before installing the lamp