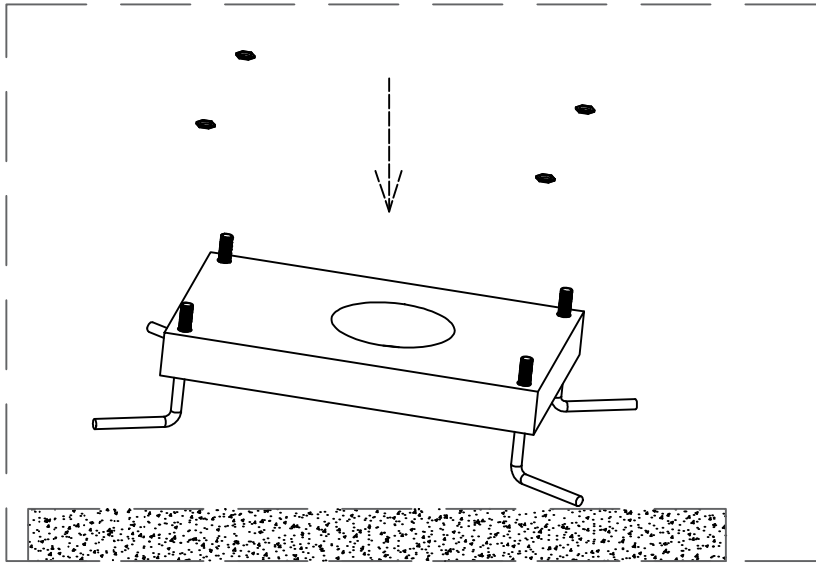
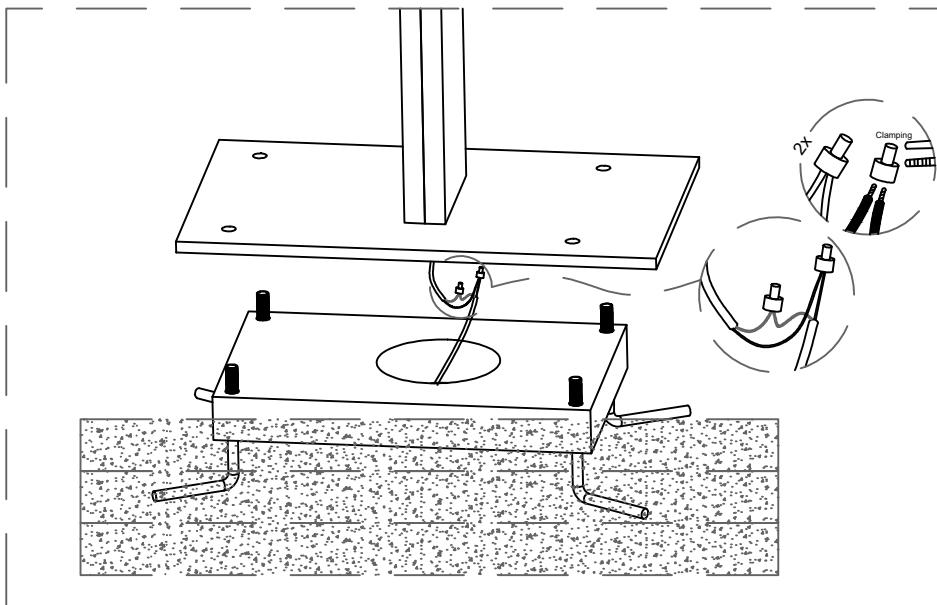


1

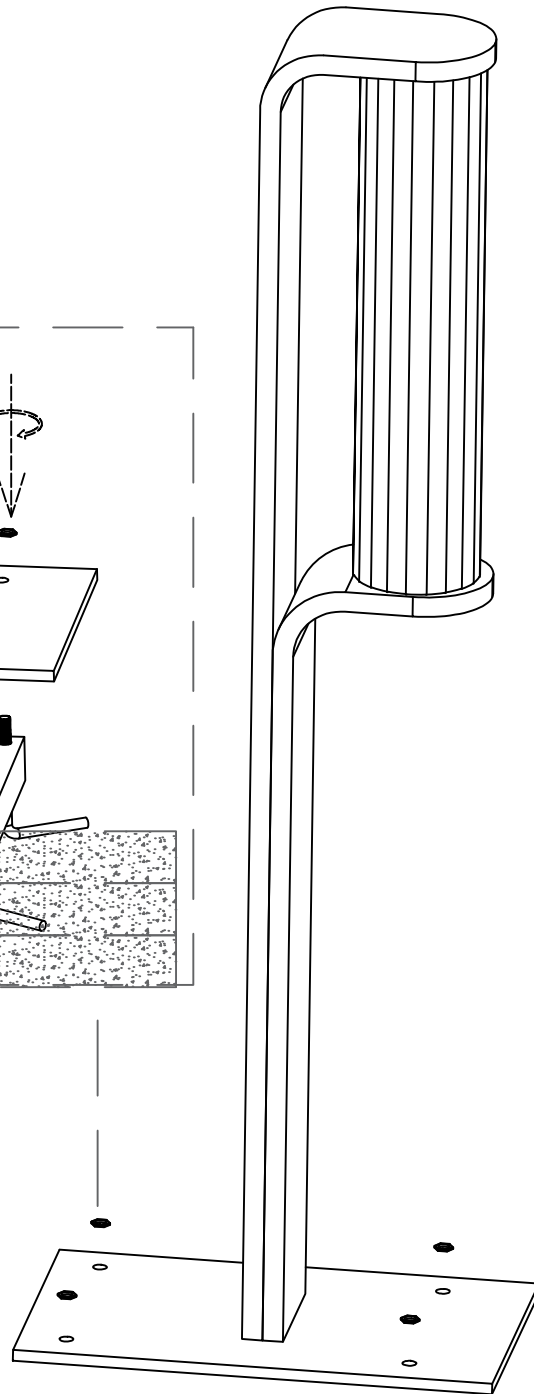
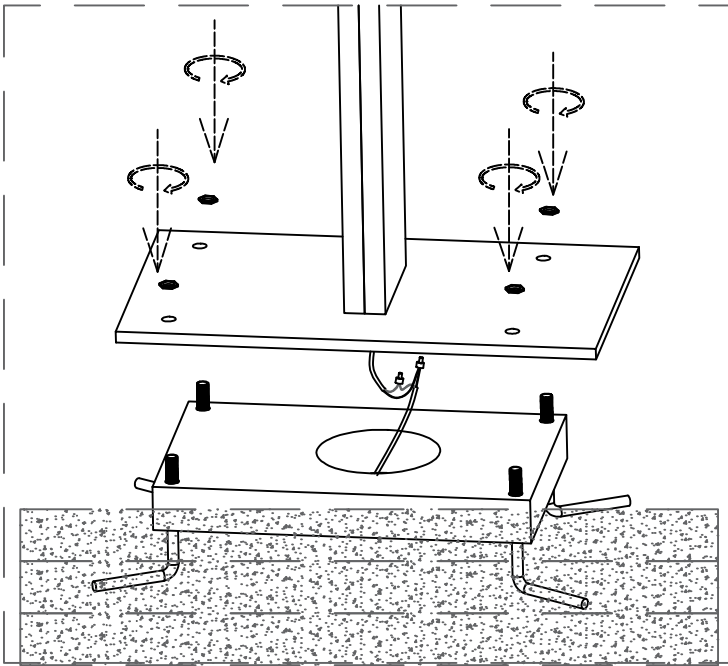


Secure the seven-shaped anchor bolts and embedded parts with nuts, then embed them in the concrete.



Connect the brown wire to the power live line, the blue wire to the power neutral line, and the bi-color wire to the power ground line.

2



Insert the base and secure it with a nut.