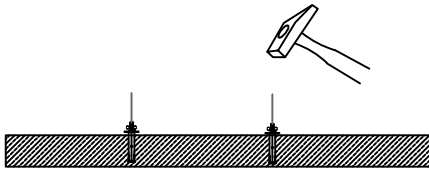
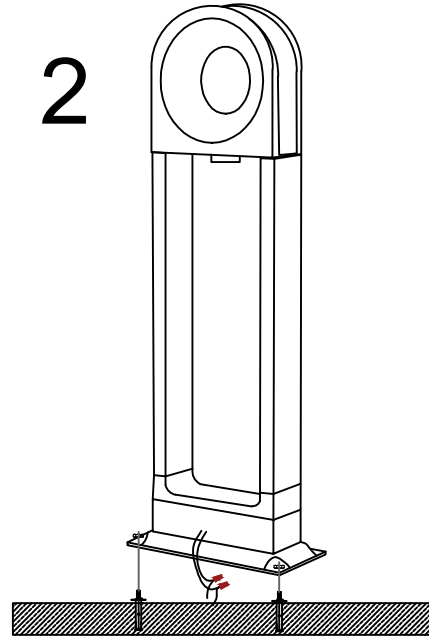


1



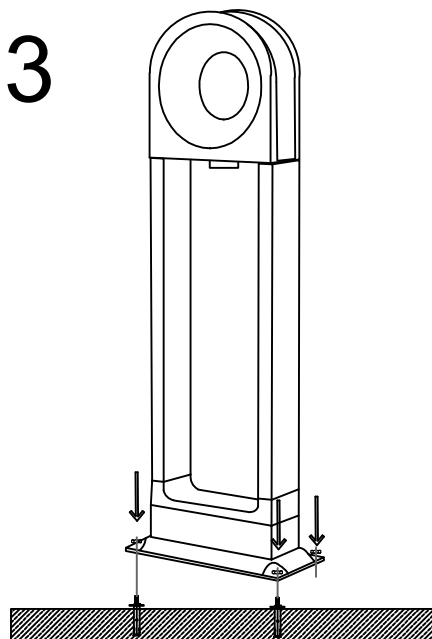
Expansion screws fixed to the ground

2



Light fixture wires connect to electrical wiring in the home

3



The lamp body is fixed on the expansion screws