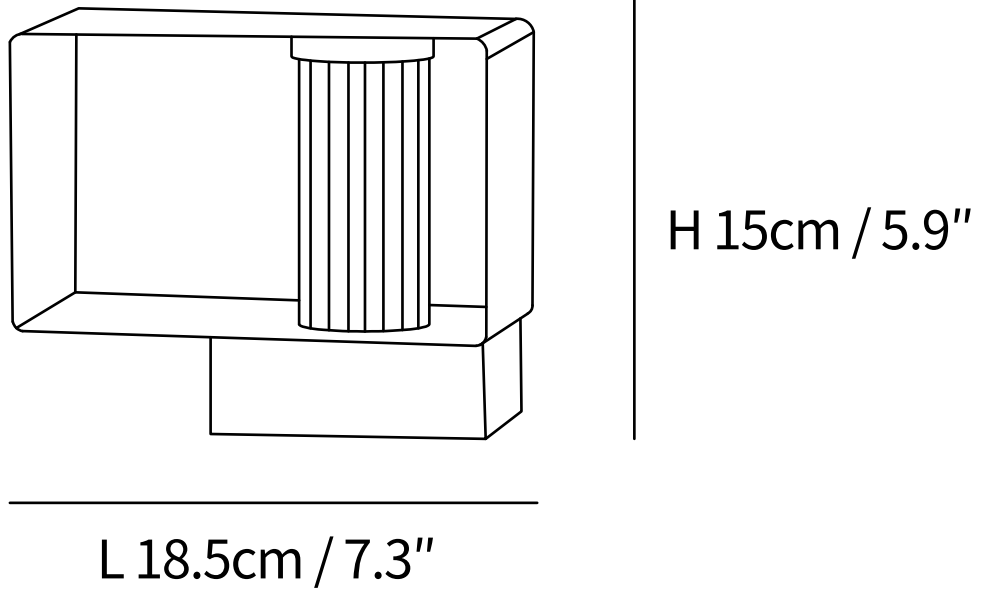


SPECIFICATION SHEET

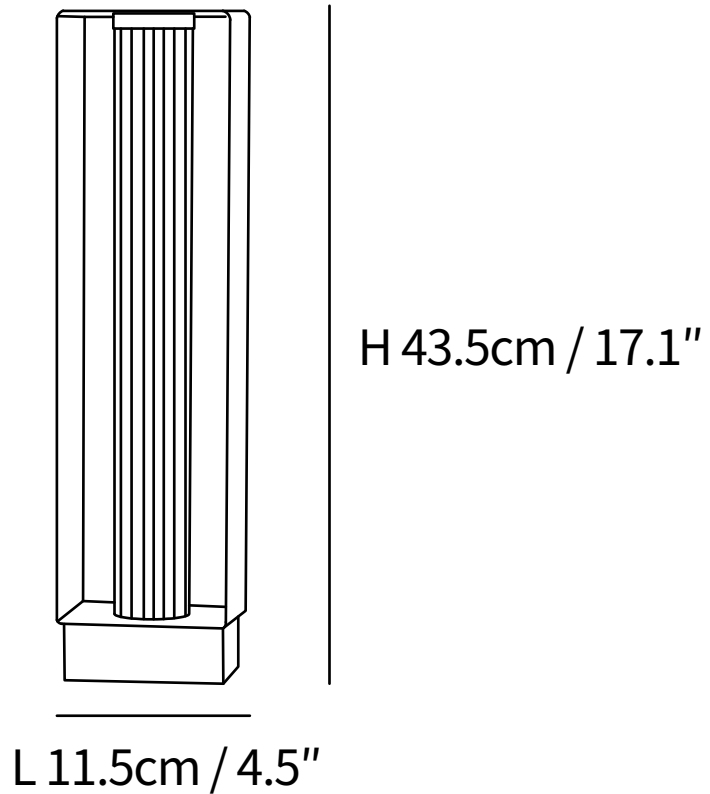


SPECIFICATION DETAILS

*For custom options, consult factory for details

Fixture Dimensions	L 7.3" x H 5.9"
Light source	Integrated LED
Wattage	~5 W
Voltage	AC 110-240V (Wired version) / DC 3.2V (Solar-powered version).
Color Temperature	3000K
CRI(Ra)	80CRI
Mounting	Post Lamp
Driver Required	Yes
Optional Color Temps	Warm Light (3000K), Neutral Light (4500K), Cool Light (6000K)
LED Rated Life	30000 hours
Dimming	Dimming is not supported
Finishes	Black.
Shade Details	Clear.
Material	Stainless steel, Acrylic.
Wire Length	98.4"
Wire Type	Wire with switch plug

SPECIFICATION SHEET

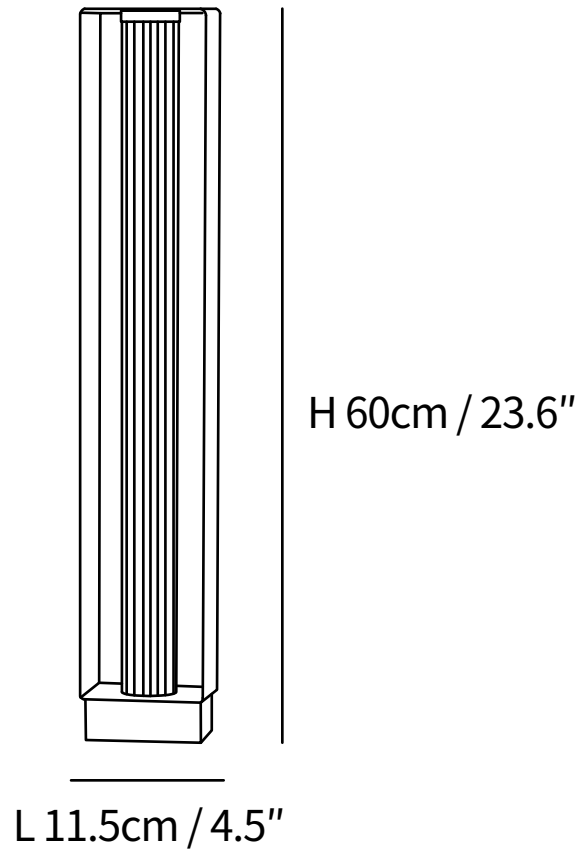


SPECIFICATION DETAILS

*For custom options, consult factory for details

Fixture Dimensions	L 4.5" x H 17.1"
Light source	Integrated LED
Wattage	~5 W
Voltage	AC 110-240V (Wired version) / DC 3.2V (Solar-powered version).
Color Temperature	3000K
CRI(Ra)	80CRI
Mounting	Post Lamp
Driver Required	Yes
Optional Color Temps	Warm Light (3000K), Neutral Light (4500K), Cool Light (6000K)
LED Rated Life	30000 hours
Dimming	Dimming is not supported
Finishes	Black.
Shade Details	Clear.
Material	Stainless steel, Acrylic.
Wire Length	98.4"
Wire Type	Wire with switch plug

SPECIFICATION SHEET



SPECIFICATION DETAILS

*For custom options, consult factory for details

Fixture Dimensions	L 4.5" x H 23.6"
Light source	Integrated LED
Wattage	~5 W
Voltage	AC 110-240V (Wired version) / DC 3.2V (Solar-powered version).
Color Temperature	3000K
CRI(Ra)	80CRI
Mounting	Post Lamp
Driver Required	Yes
Optional Color Temps	Warm Light (3000K), Neutral Light (4500K), Cool Light (6000K)
LED Rated Life	30000 hours
Dimming	Dimming is not supported
Finishes	Black.
Shade Details	Clear.
Material	Stainless steel, Acrylic.
Wire Length	98.4"
Wire Type	Wire with switch plug