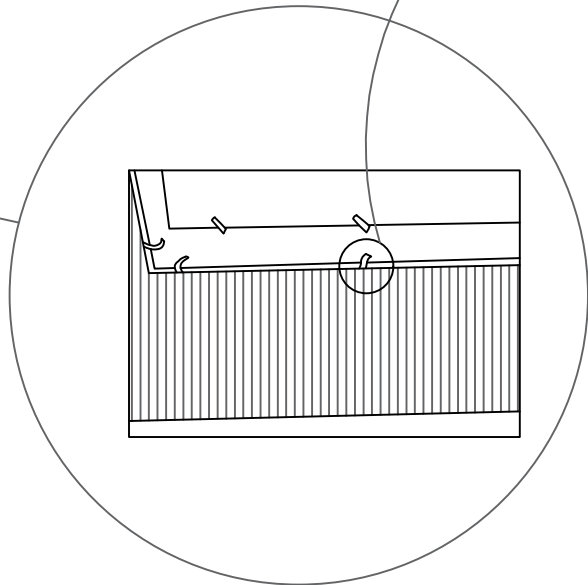
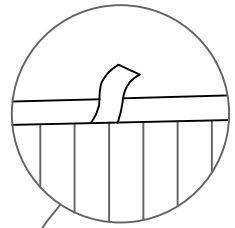
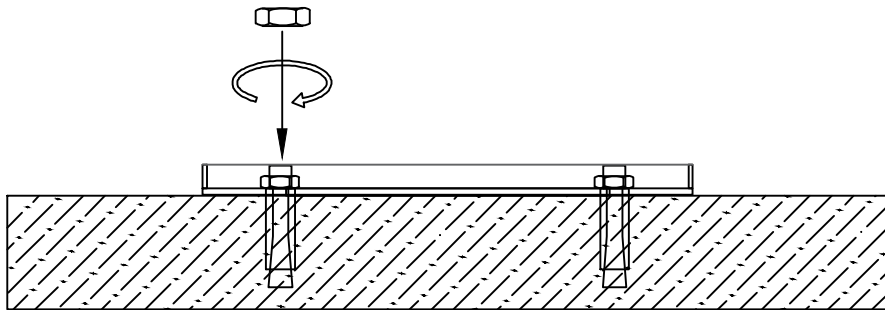
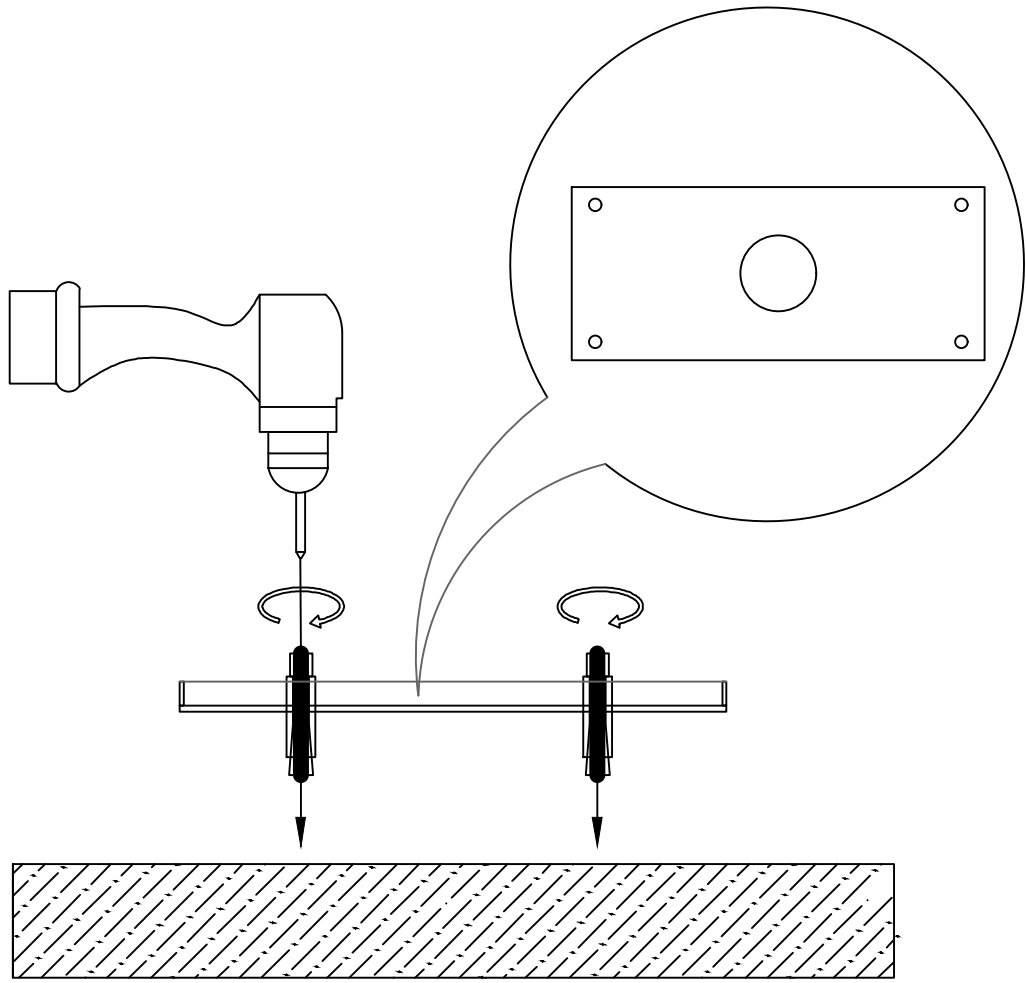


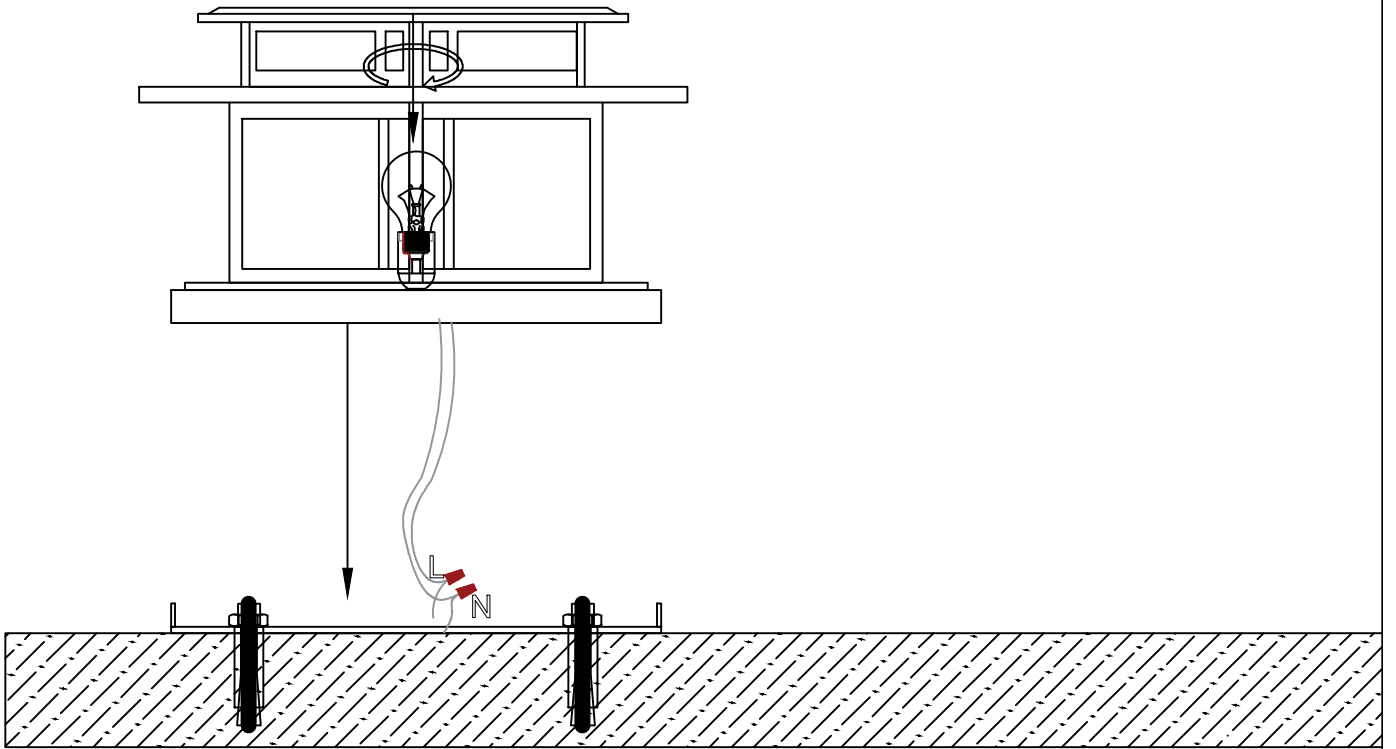
Use pliers to hold the hardware down on the acrylic



1



2



3

