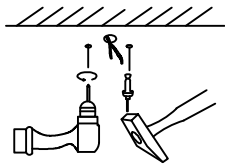


1

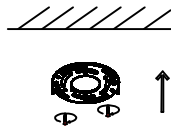
2

Put the lamp body together first



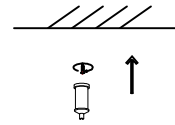
Drill holes in the ceiling and insert expansion screws

3



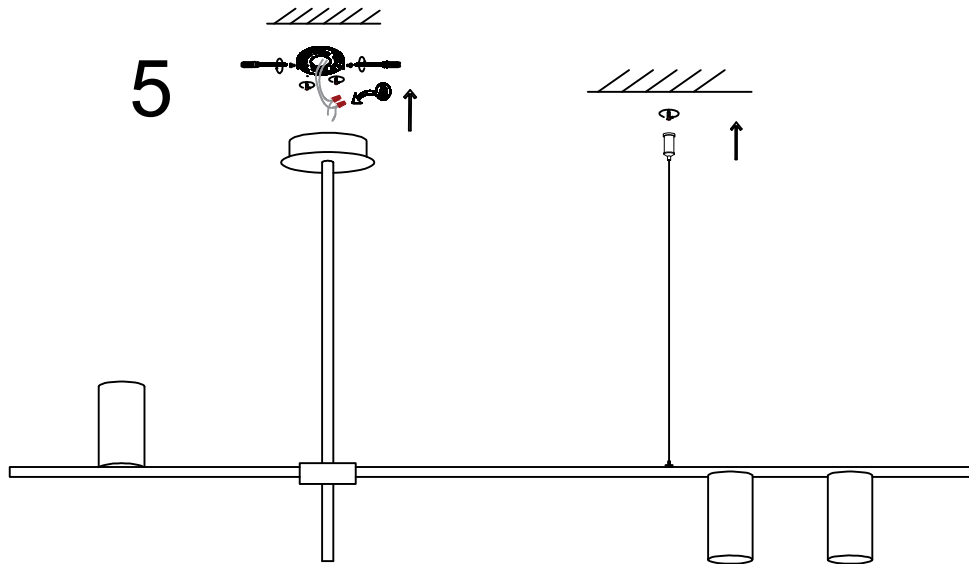
Install the hanging plate on the ceiling

4



After confirming the distance, install a small ceiling on the other side of the ceiling

5



Install the lamp body on the hanging plate

Note: Please turn off the power before installing the lamp