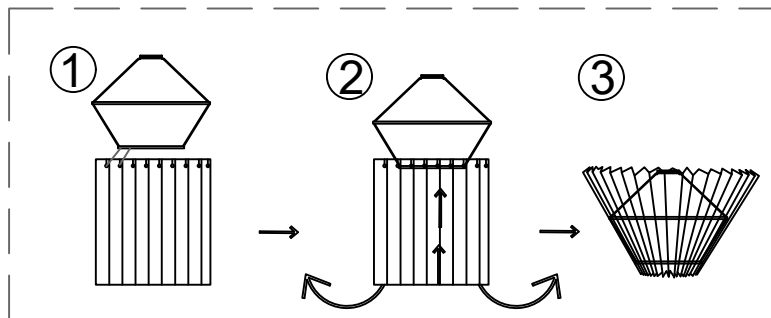


- 1 Take all the accessories out of the packaging first
- 2 Assembly of lamp body
- 3 Install bulb and lampshade
- 4 The plug is plugged into the socket and the electricity is turned on



Pleated lampshade installation steps

