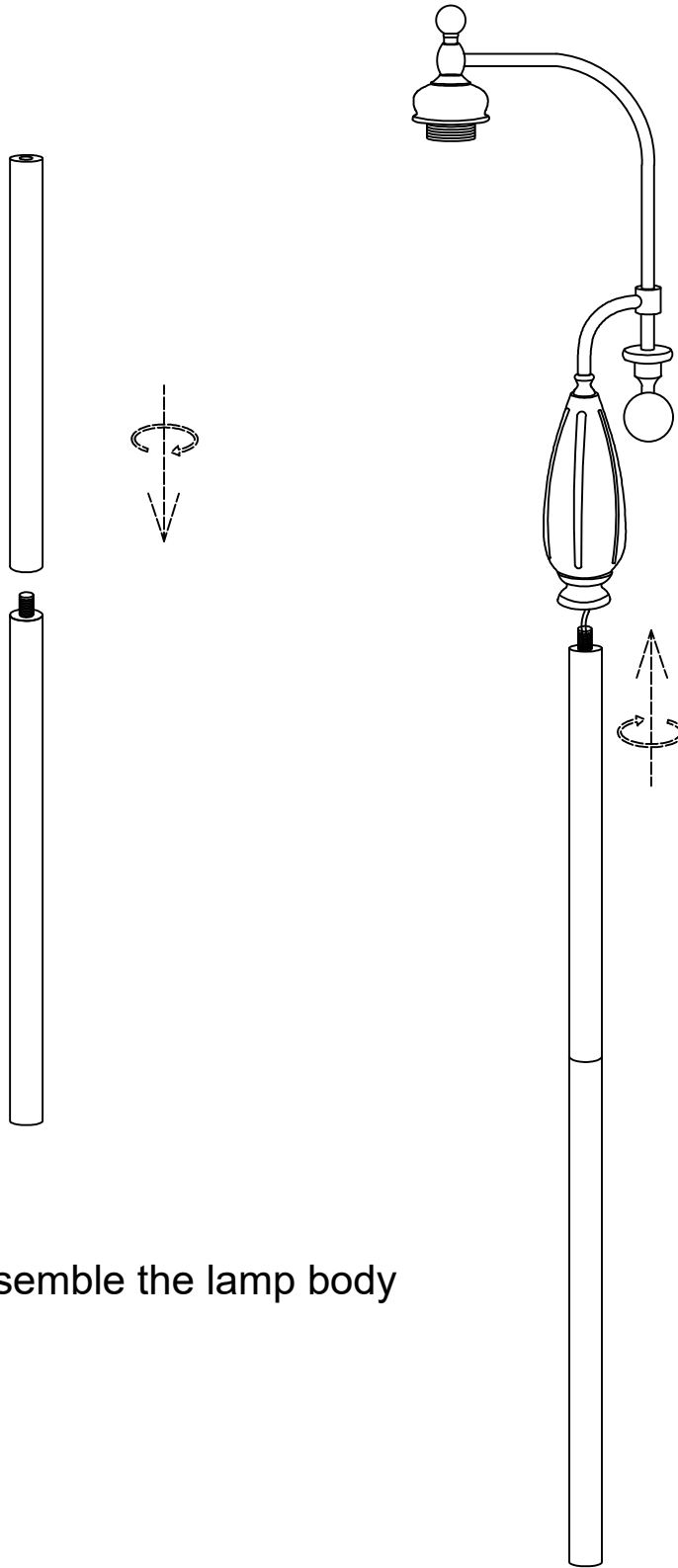
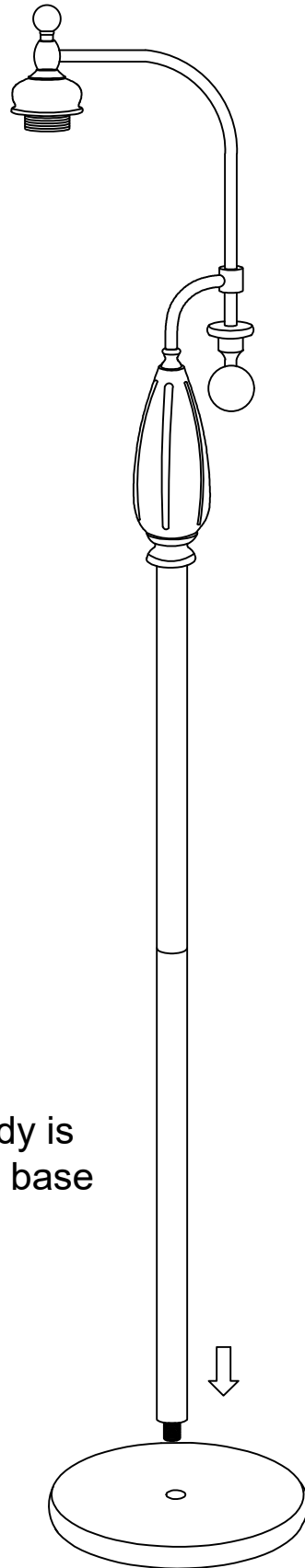


1



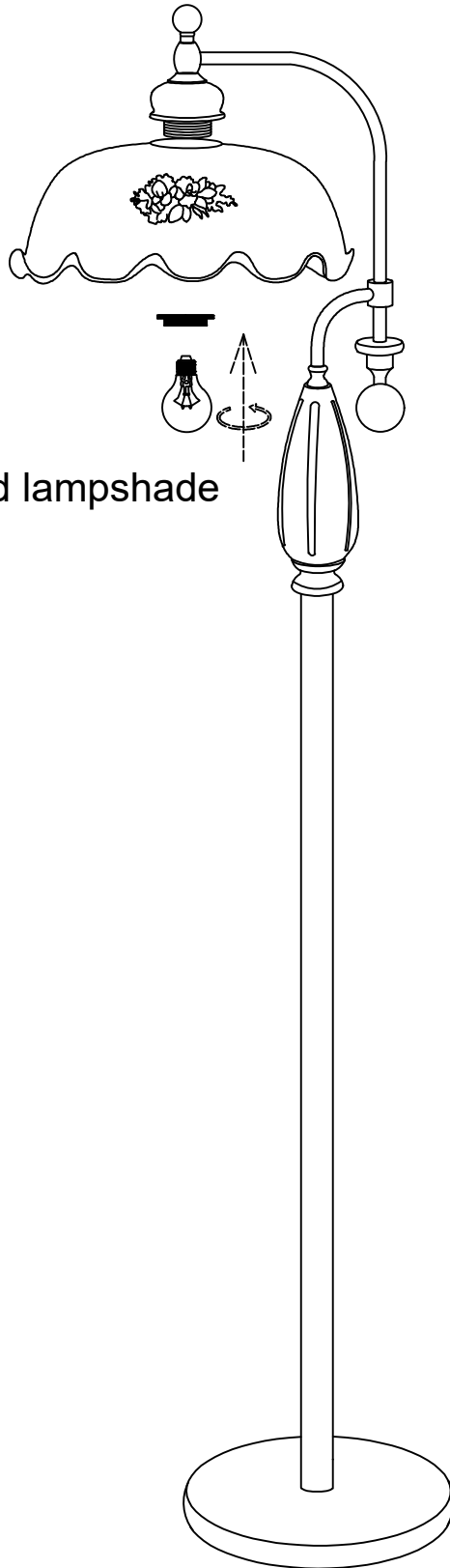
Assemble the lamp body

2



The assembled lamp body is then assembled with the base

3



Installing light source and lampshade