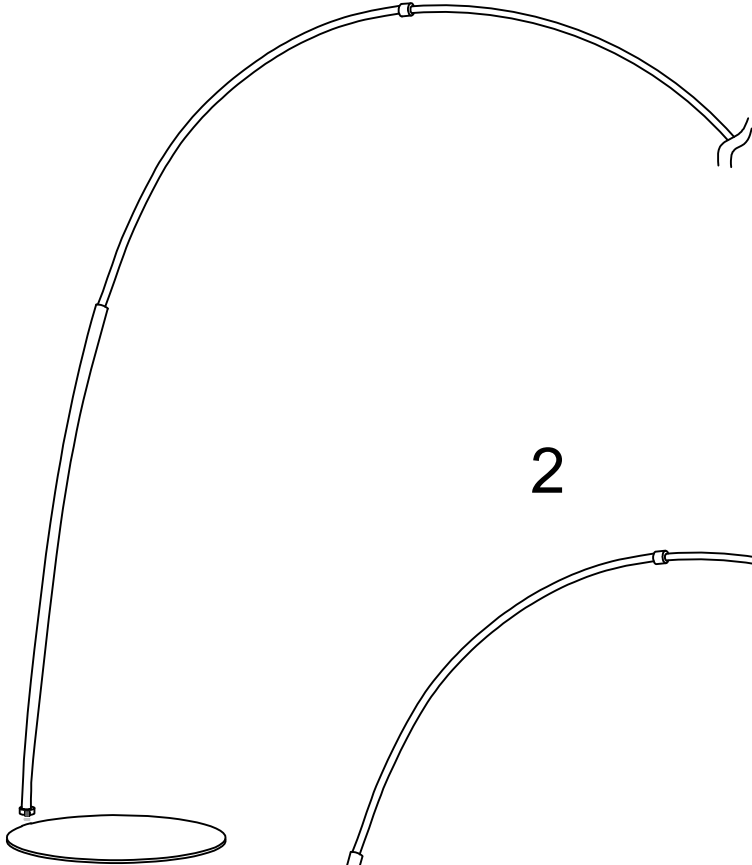
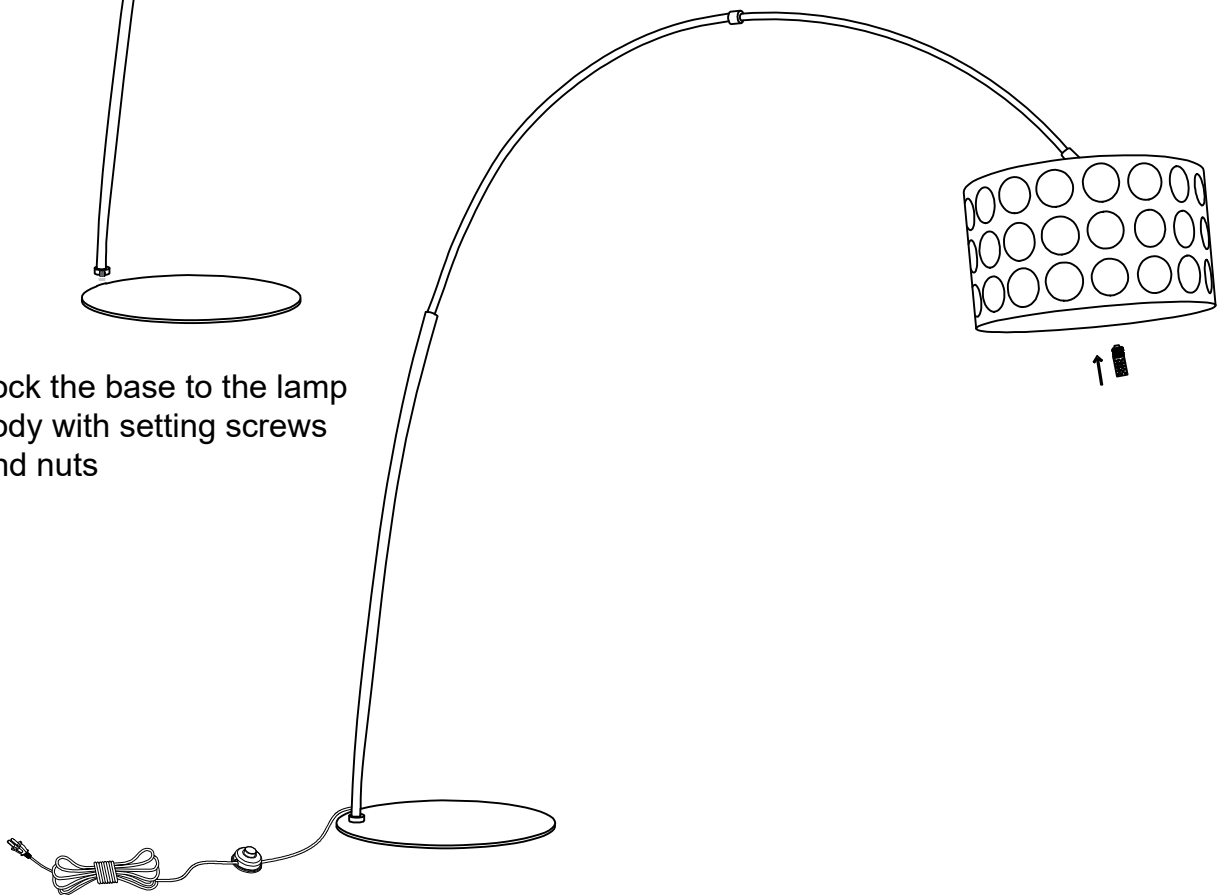


1



2



Lock the base to the lamp body with setting screws and nuts

Install bulbs and lampshades