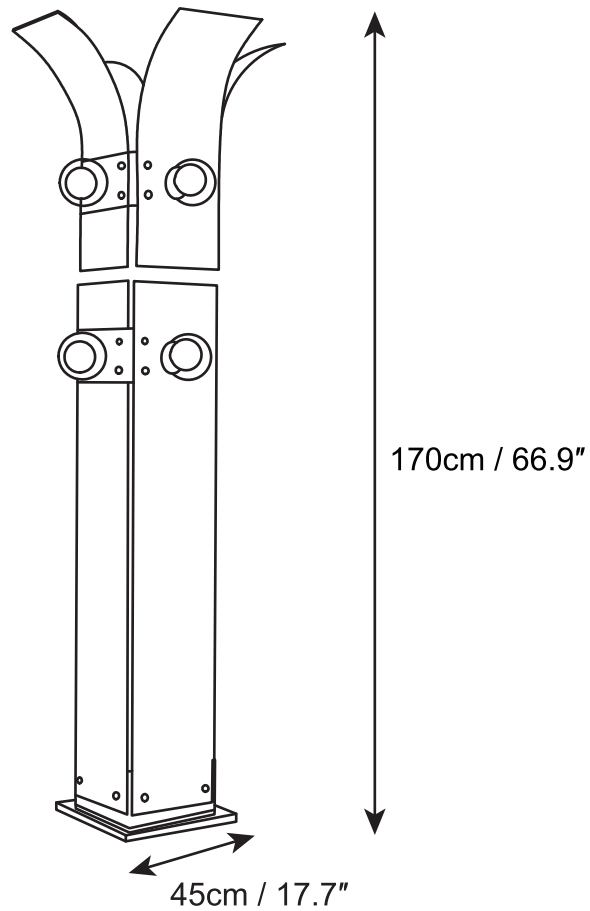


SPECIFICATION SHEET



SPECIFICATION DETAILS

*For custom options, consult factory for details

| | |
|-----------------------------|---|
| Fixture Dimensions | D 17.7" x H 66.9" |
| Light source | G9 |
| Wattage | Max 5W |
| Voltage | AC 110-240V |
| Color Temperature | Based on the purchase of light bulbs |
| CRI(Ra) | 80CRI |
| Mounting | Floor |
| Driver Required | NO |
| Optional Color Temps | Buy bulbs as needed |
| LED Rated Life | Based on bulb life (we do not supply bulbs) |
| Dimming | Dimming is not supported |
| Finishes | Green, Orange, Smoke Gray, Red |
| Shade Details | White |
| Material | Metal, Acrylic |
| Wire Length | 98.4" |
| Wire Type | Wire with switch plug |