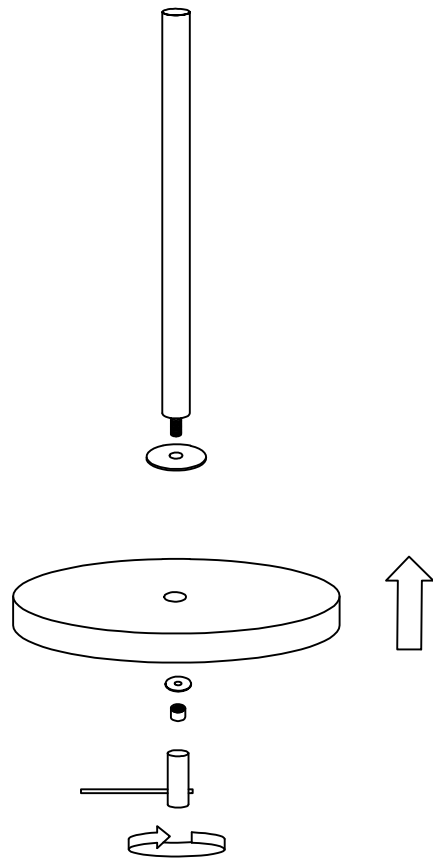
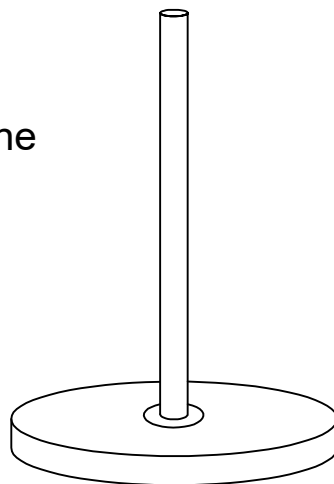


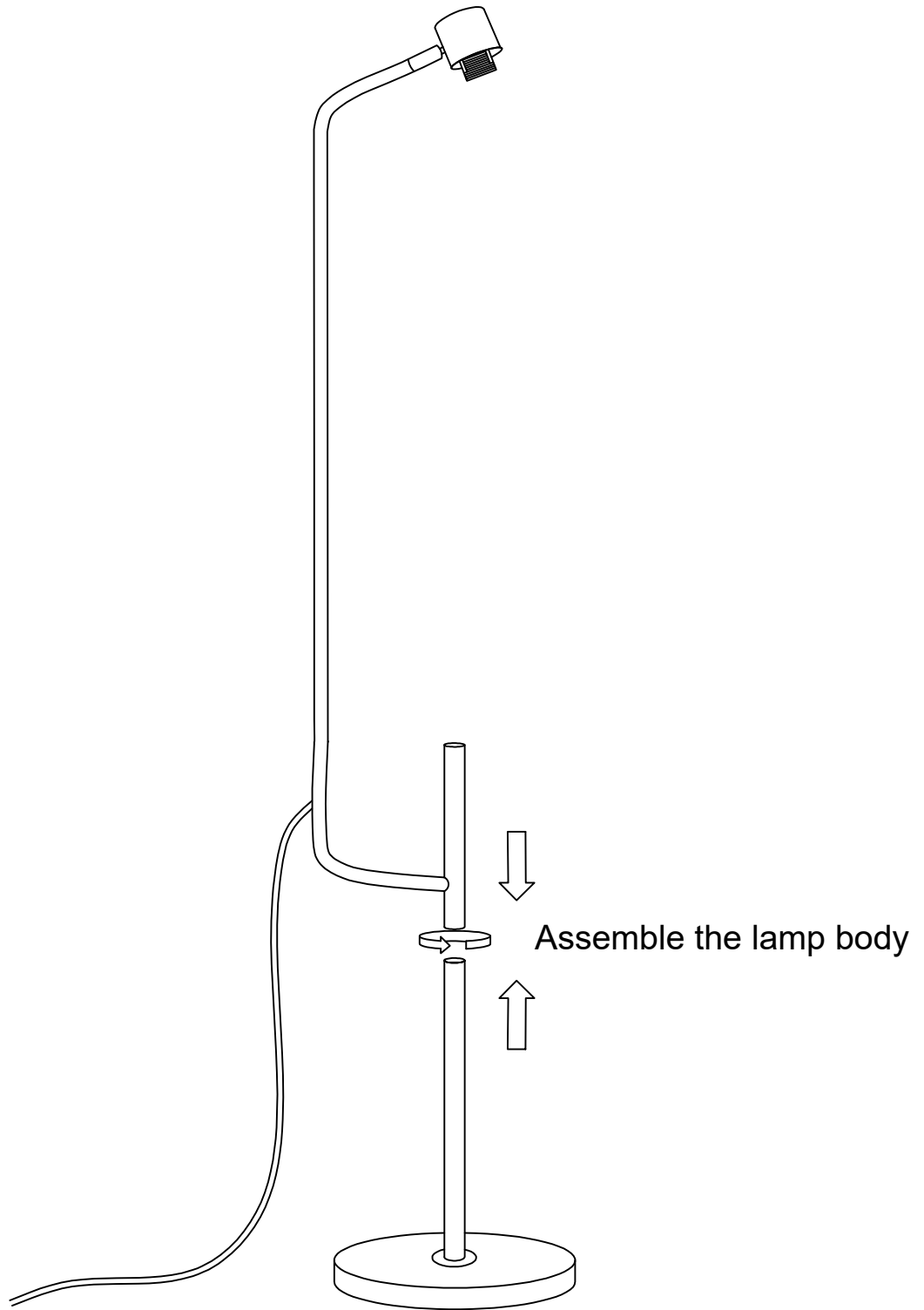
# 1



Use a nut to fix the lower part of the lamp body and the base together



2



3

