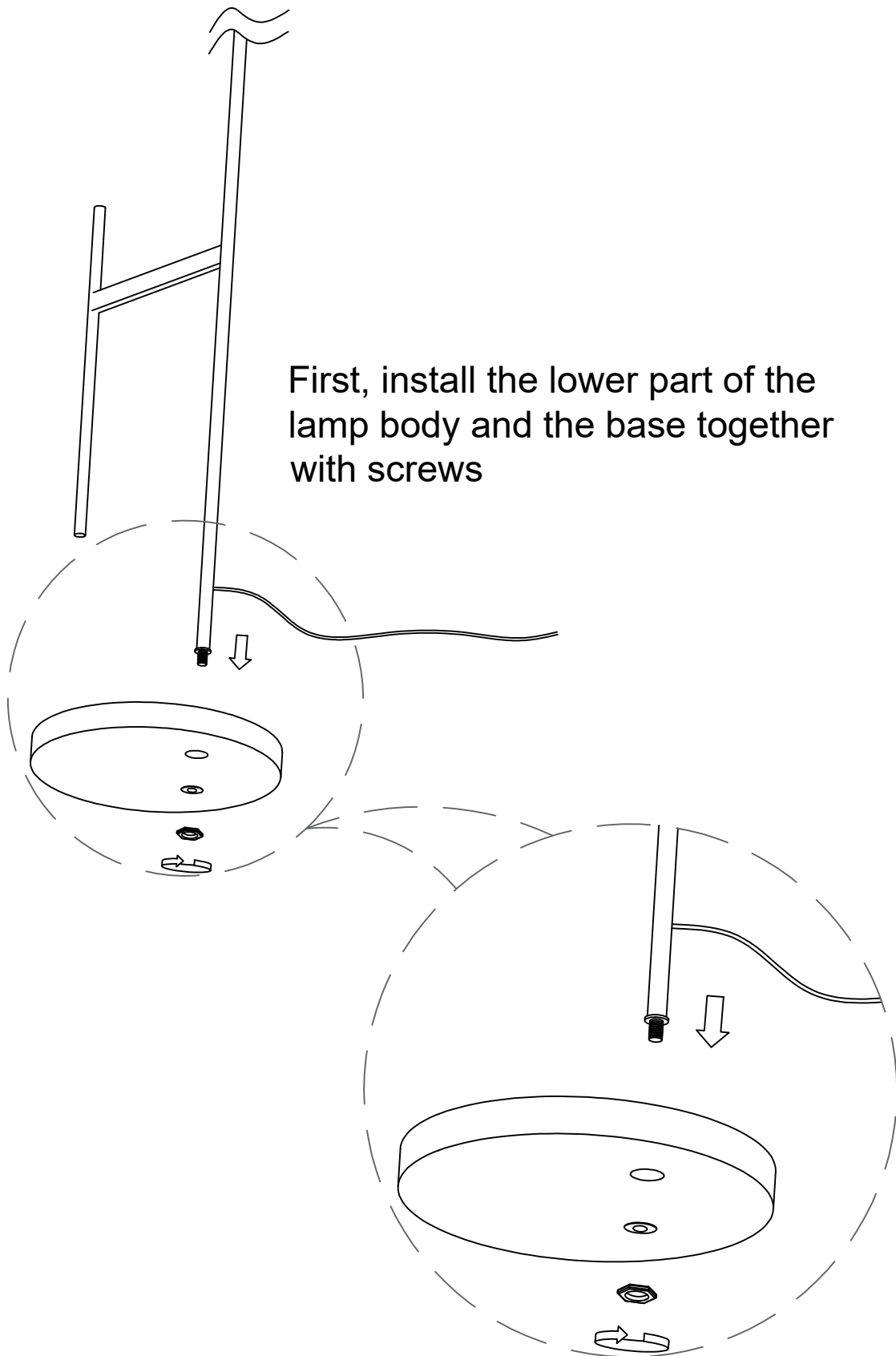
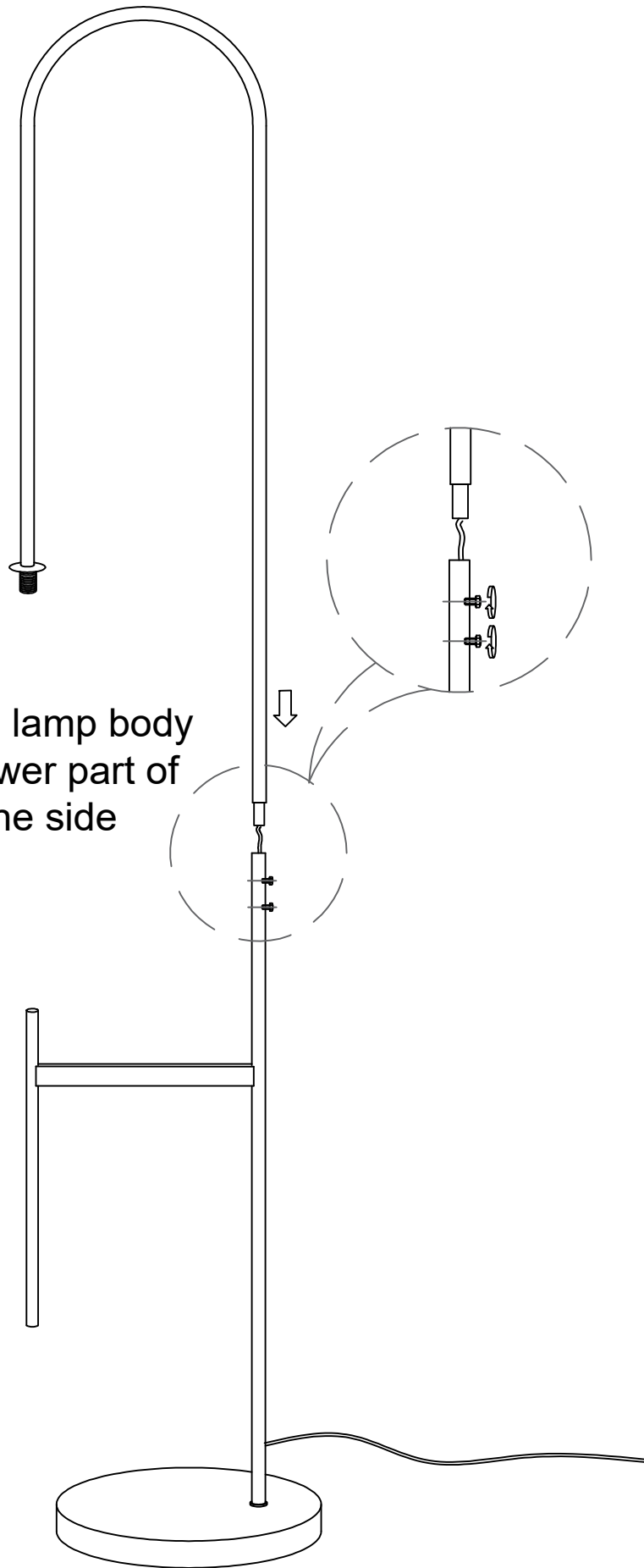


1

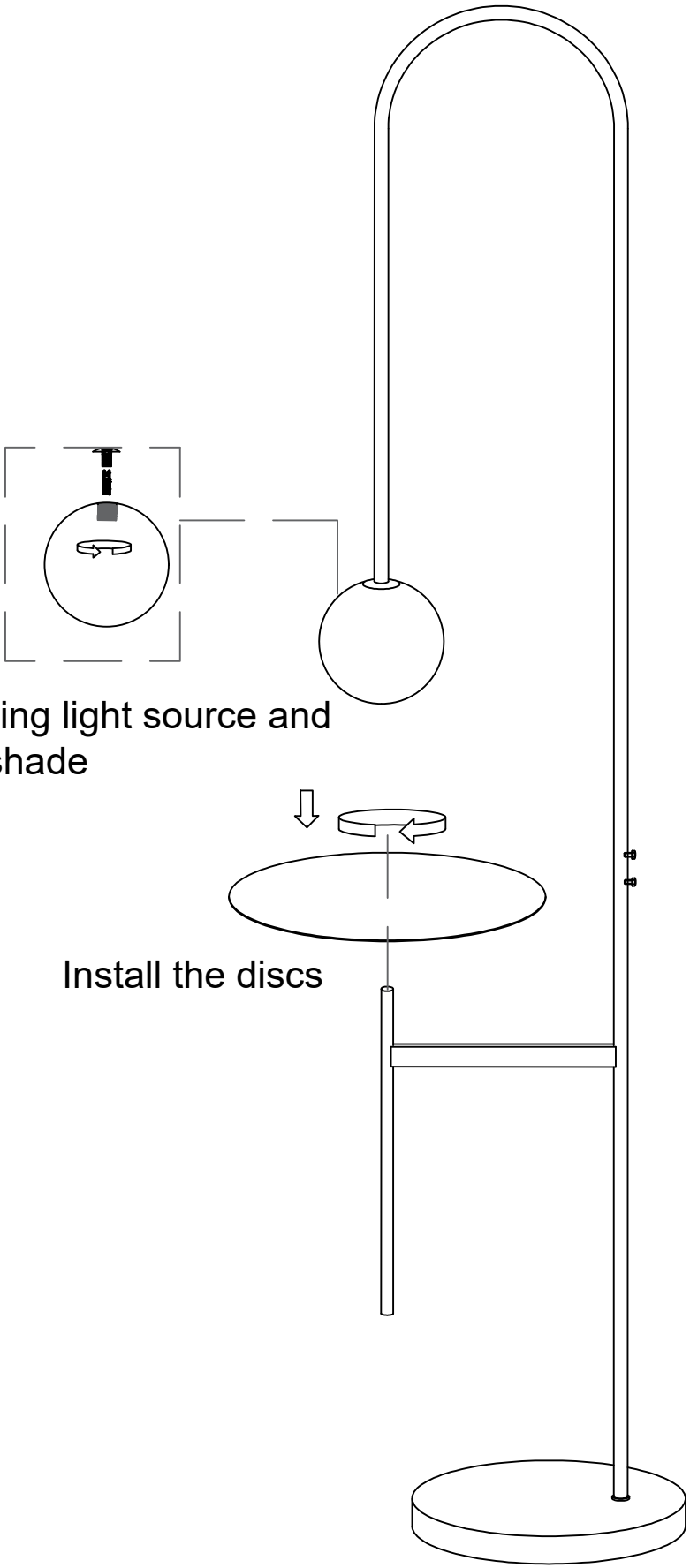


# 2



The upper part of the lamp body is inserted into the lower part of the lamp body, and the side screws are locked

# 3



Installing light source and  
lampshade

Install the discs