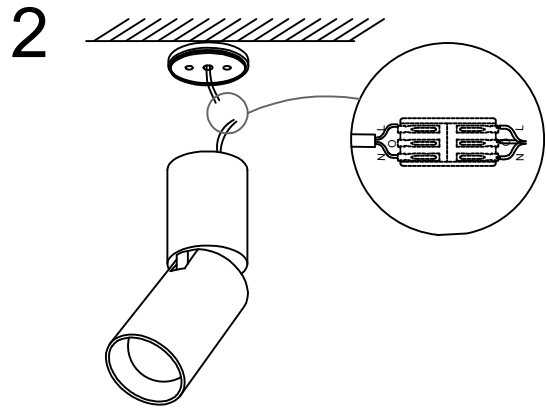
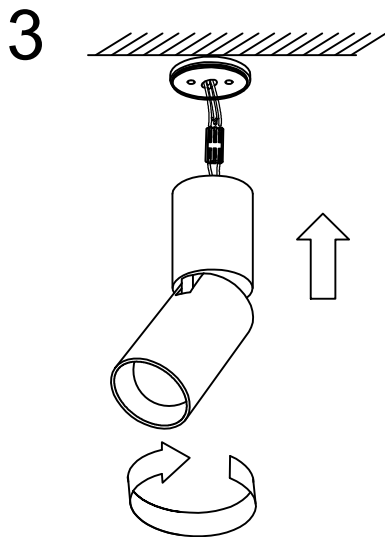


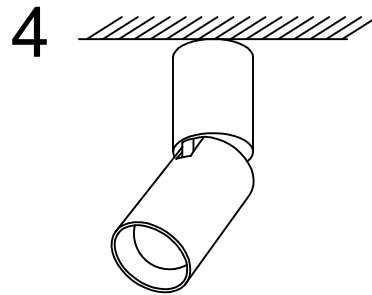
Install the screws to fix the chassis



The electric wires in the home connect to the light fixtures



Rotate the lamp clockwise to connect it to the chassis



Installation completed, turn on the light for testing