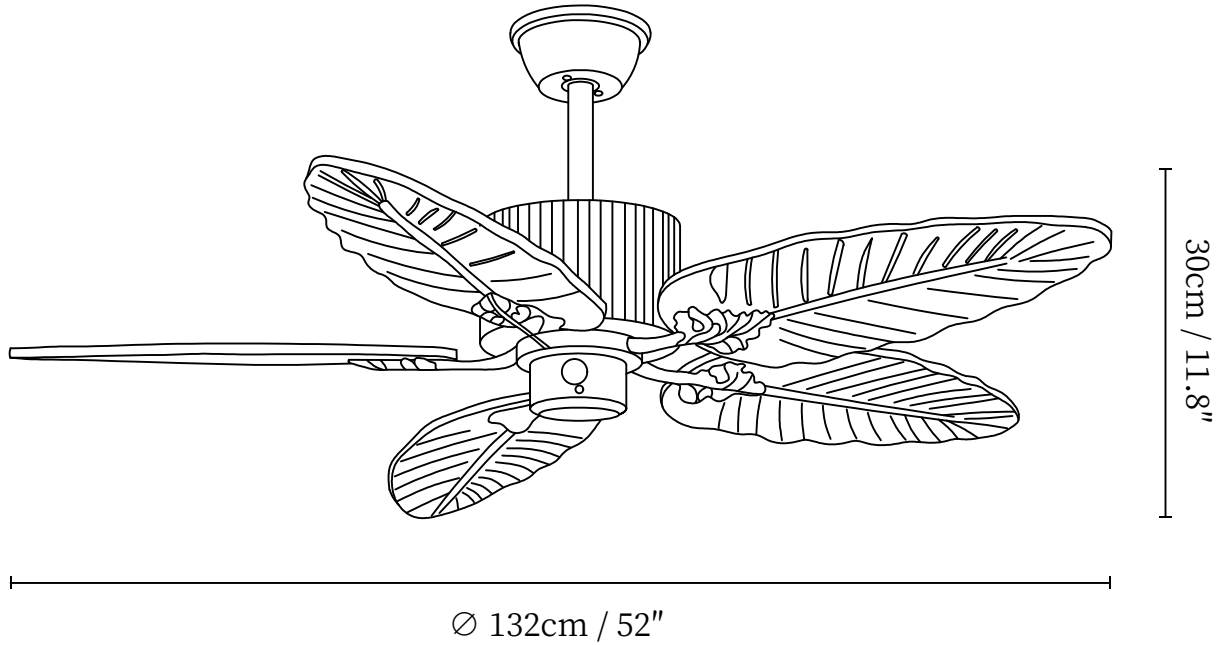


SPECIFICATION SHEET

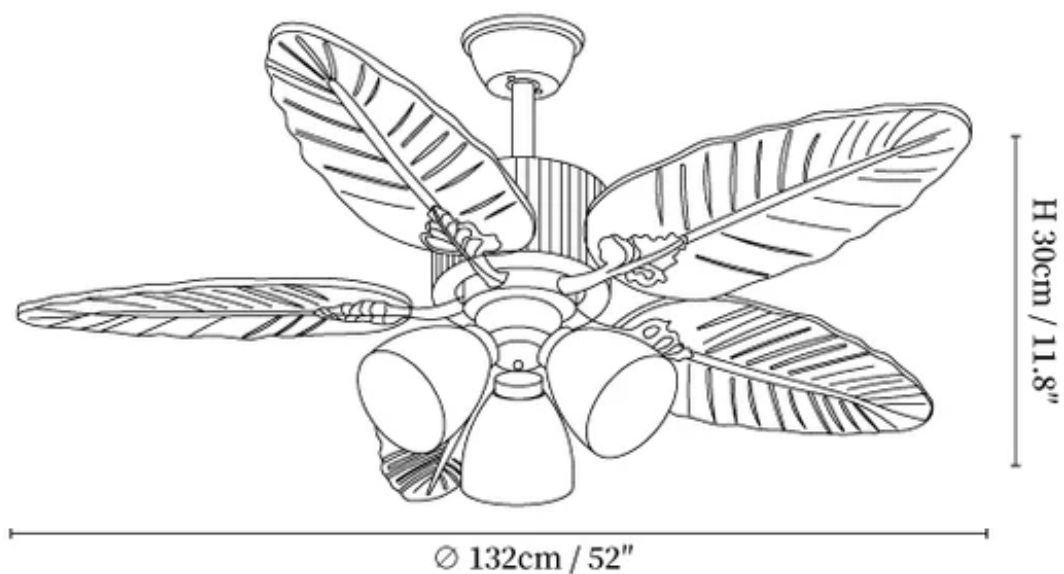


SPECIFICATION DETAILS

*For custom options, consult factory for details

Fixture Dimensions	Ø48" x H 11.8", Ø 52" x H 11.8"
Light source	E26 or E27. (bulb not included)
Wattage	MAX 40W incandescent bulb or LED equivalent.
Voltage	AC 110-120V, 60Hz.
Mounting	Ceiling
Control method	Compatible with common wall switches(not included)
Dimming	Compatible with dimmable bulbs (bulb not included)
Finishes	Walnut Wood, Black.
Shade Details	Clear.
Material	Metal frame, ABS blades, glass shade, pure copper motor.
Rod Length	Suspension rod is 30cm/11.8", and can be spliced as needed.

SPECIFICATION SHEET

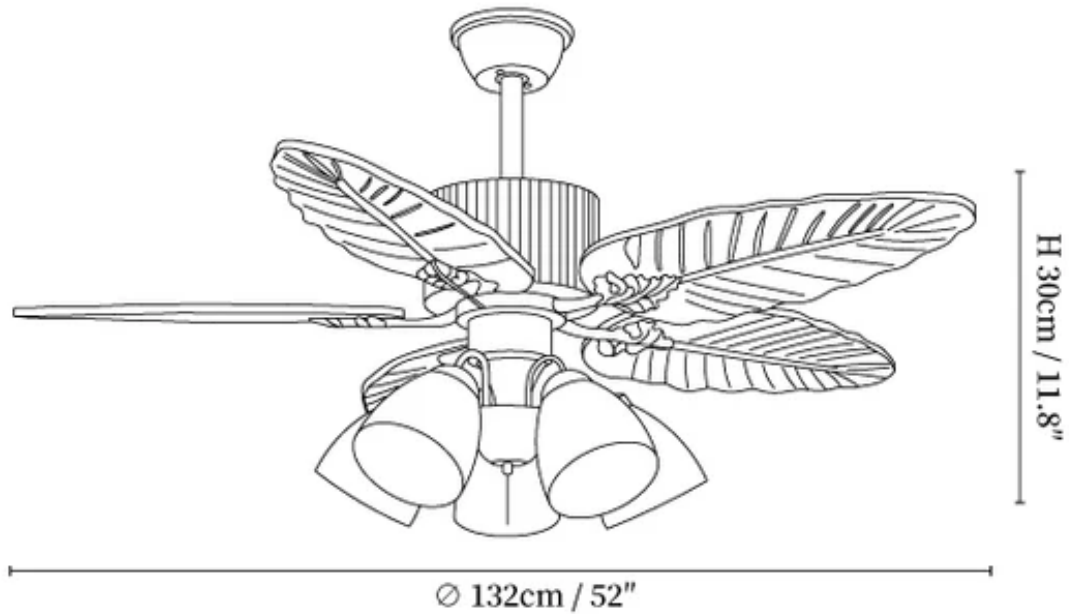


SPECIFICATION DETAILS

*For custom options, consult factory for details

Fixture Dimensions	Ø48" x H 11.8", Ø 52" x H 11.8"
Light source	E26 or E27. (bulb not included)
Wattage	MAX 40W incandescent bulb or LED equivalent.
Voltage	AC 110-120V, 60Hz.
Mounting	Ceiling
Control method	Compatible with common wall switches(not included)
Dimming	Compatible with dimmable bulbs (bulb not included)
Finishes	Walnut Wood, Black.
Shade Details	Clear.
Material	Metal frame, ABS blades, glass shade, pure copper motor.
Rod Length	Suspension rod is 30cm/11.8", and can be spliced as needed.

SPECIFICATION SHEET

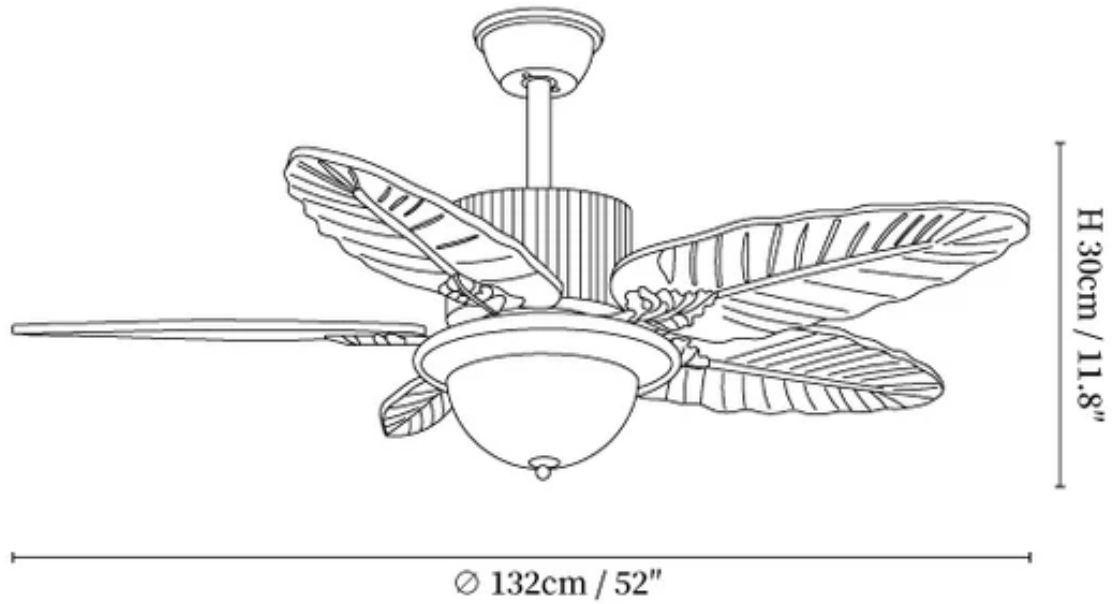


SPECIFICATION DETAILS

*For custom options, consult factory for details

Fixture Dimensions	Ø48" x H 11.8", Ø 52" x H 11.8"
Light source	E26 or E27. (bulb not included)
Wattage	MAX 40W incandescent bulb or LED equivalent.
Voltage	AC 110-120V, 60Hz.
Mounting	Ceiling
Control method	Compatible with common wall switches(not included)
Dimming	Compatible with dimmable bulbs (bulb not included)
Finishes	Walnut Wood, Black.
Shade Details	Clear.
Material	Metal frame, ABS blades, glass shade, pure copper motor.
Rod Length	Suspension rod is 30cm/11.8", and can be spliced as needed.

SPECIFICATION SHEET

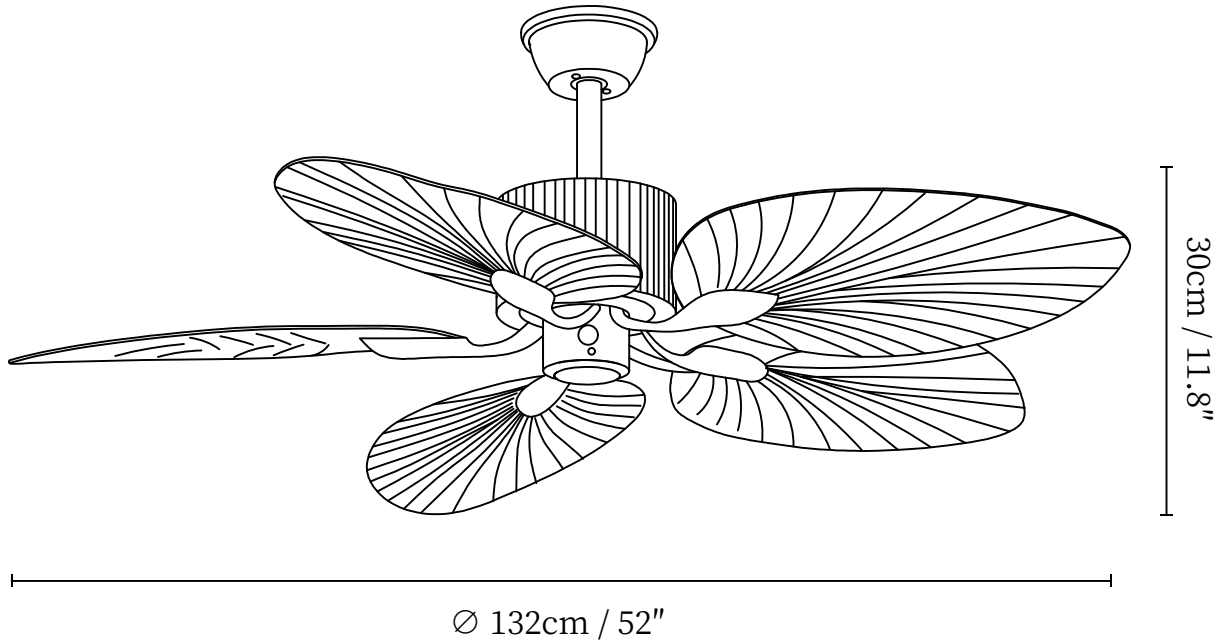


SPECIFICATION DETAILS

*For custom options, consult factory for details

Fixture Dimensions	$\text{Ø } 48'' \times \text{H } 11.8''$, $\text{Ø } 52'' \times \text{H } 11.8''$
Light source	E26 or E27. (bulb not included)
Wattage	MAX 40W incandescent bulb or LED equivalent.
Voltage	AC 110-120V, 60Hz.
Mounting	Ceiling
Control method	Compatible with common wall switches(not included)
Dimming	Compatible with dimmable bulbs (bulb not included)
Finishes	Walnut Wood, Black.
Shade Details	Clear.
Material	Metal frame, ABS blades, glass shade, pure copper motor.
Rod Length	Suspension rod is 30cm/11.8", and can be spliced as needed.

SPECIFICATION SHEET

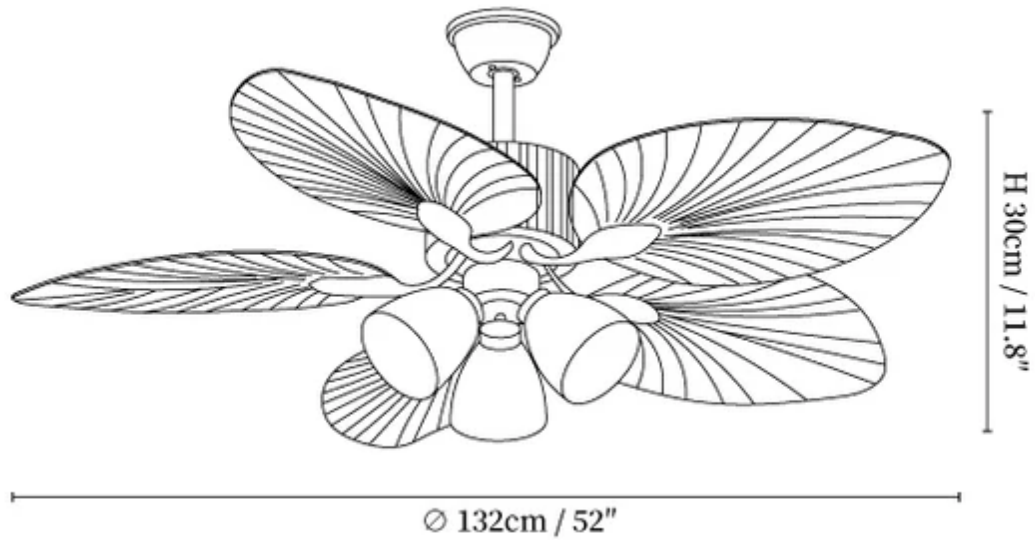


SPECIFICATION DETAILS

*For custom options, consult factory for details

Fixture Dimensions	∅48" x H 11.8", ∅ 52" x H 11.8"
Light source	E26 or E27. (bulb not included)
Wattage	MAX 40W incandescent bulb or LED equivalent.
Voltage	AC 110-120V, 60Hz.
Mounting	Ceiling
Control method	Compatible with common wall switches(not included)
Dimming	Compatible with dimmable bulbs (bulb not included)
Finishes	Walnut Wood, Black.
Shade Details	Clear.
Material	Metal frame, ABS blades, glass shade, pure copper motor.
Rod Length	Suspension rod is 30cm/11.8", and can be spliced as needed.

SPECIFICATION SHEET

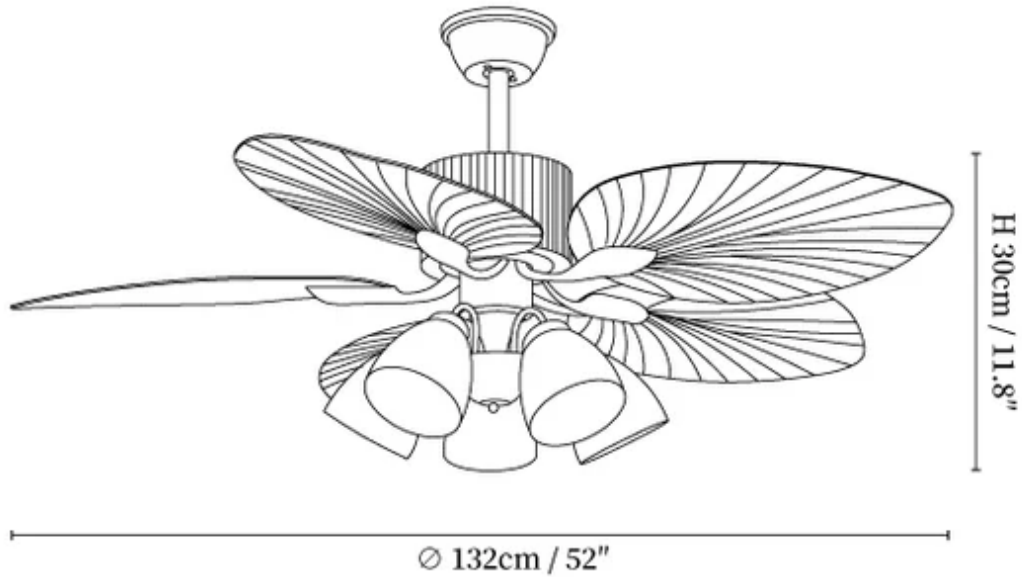


SPECIFICATION DETAILS

*For custom options, consult factory for details

Fixture Dimensions	\varnothing 48" x H 11.8", \varnothing 52" x H 11.8"
Light source	E26 or E27. (bulb not included)
Wattage	MAX 40W incandescent bulb or LED equivalent.
Voltage	AC 110-120V, 60Hz.
Mounting	Ceiling
Control method	Compatible with common wall switches(not included)
Dimming	Compatible with dimmable bulbs (bulb not included)
Finishes	Walnut Wood, Black.
Shade Details	Clear.
Material	Metal frame, ABS blades, glass shade, pure copper motor.
Rod Length	Suspension rod is 30cm/11.8", and can be spliced as needed.

SPECIFICATION SHEET

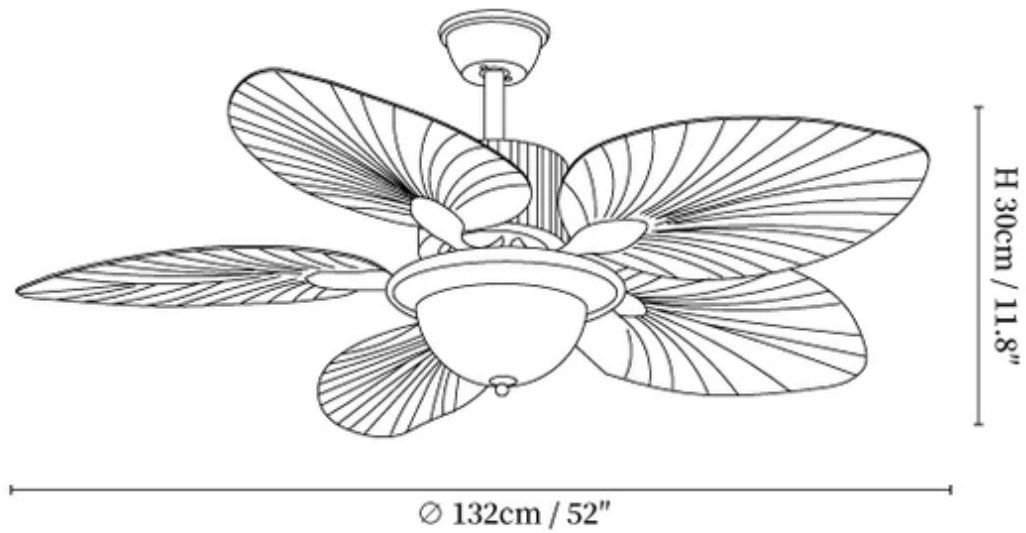


SPECIFICATION DETAILS

*For custom options, consult factory for details

Fixture Dimensions	Ø 48" x H 11.8", Ø 52" x H 11.8"
Light source	E26 or E27. (bulb not included)
Wattage	MAX 40W incandescent bulb or LED equivalent.
Voltage	AC 110-120V, 60Hz.
Mounting	Ceiling
Control method	Compatible with common wall switches(not included)
Dimming	Compatible with dimmable bulbs (bulb not included)
Finishes	Walnut Wood, Black.
Shade Details	Clear.
Material	Metal frame, ABS blades, glass shade, pure copper motor.
Rod Length	Suspension rod is 30cm/11.8", and can be spliced as needed.

SPECIFICATION SHEET



SPECIFICATION DETAILS

*For custom options, consult factory for details

Fixture Dimensions	Ø 48" x H 11.8", Ø 52" x H 11.8"
Light source	E26 or E27. (bulb not included)
Wattage	MAX 40W incandescent bulb or LED equivalent.
Voltage	AC 110-120V, 60Hz.
Mounting	Ceiling
Control method	Compatible with common wall switches(not included)
Dimming	Compatible with dimmable bulbs (bulb not included)
Finishes	Walnut Wood, Black.
Shade Details	Clear.
Material	Metal frame, ABS blades, glass shade, pure copper motor.
Rod Length	Suspension rod is 30cm/11.8", and can be spliced as needed.