

IMPORTANT SAFETY INSTRUCTIONS

INSTALLATION BY A LICENSED ELECTRICIAN IS STRONGLY

Note: Turn off the power to the main circuit panel before starting.



STRUCTURAL SUPPORT REQUIREMENT

Ensure the junction box or mounting surface is independent of the drywall and rated for heavy-duty fixtures.

Secure the mounting bracket directly to a ceiling joist or a structural support member capable of supporting at least 2x the fixture weight.



WARNINGS

When unpacking, be careful not to pull wires, as a bad connection may result. Do not connect electricity until your fixture is fully assembled. To reduce the risk of fire, electrical shock, or personal injury, always turn off fixture and allow it to cool prior to replacing the lightbulb. Do not touch or look directly at the bulb when fixture is illuminated. Keep flammable materials away from lit bulb.



WARNINGS

Choking hazard. Keep the power cord at least 3 feet away from cribs, bassinets, and toddler beds.



WIRING SAFETY NOTES

When connecting wires, please follow the standard color coding: black to black (live), white to white (neutral), and green/bare copper wire to ground.

RECOMMENDED

Please refer to the rated power at the lamp head, and do not exceed the recommended wattage to avoid fire hazards. When checking the circuit connections, the curtains need to be removed



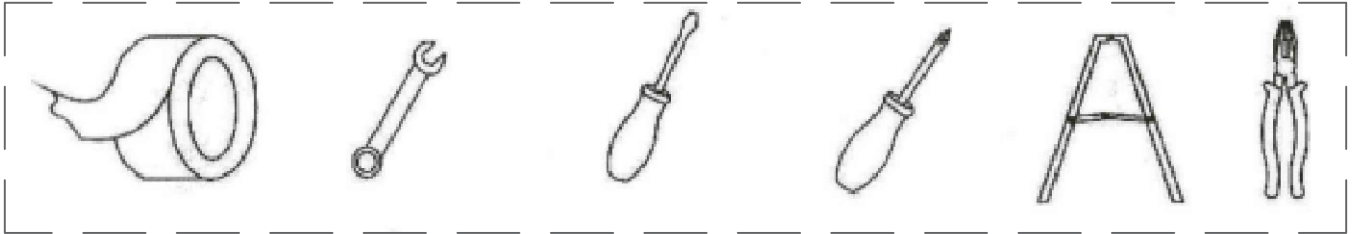
CARE AND MAINTENANCE

Handle with Care: Please exercise caution during assembly and cleaning to avoid scratches or breakage.

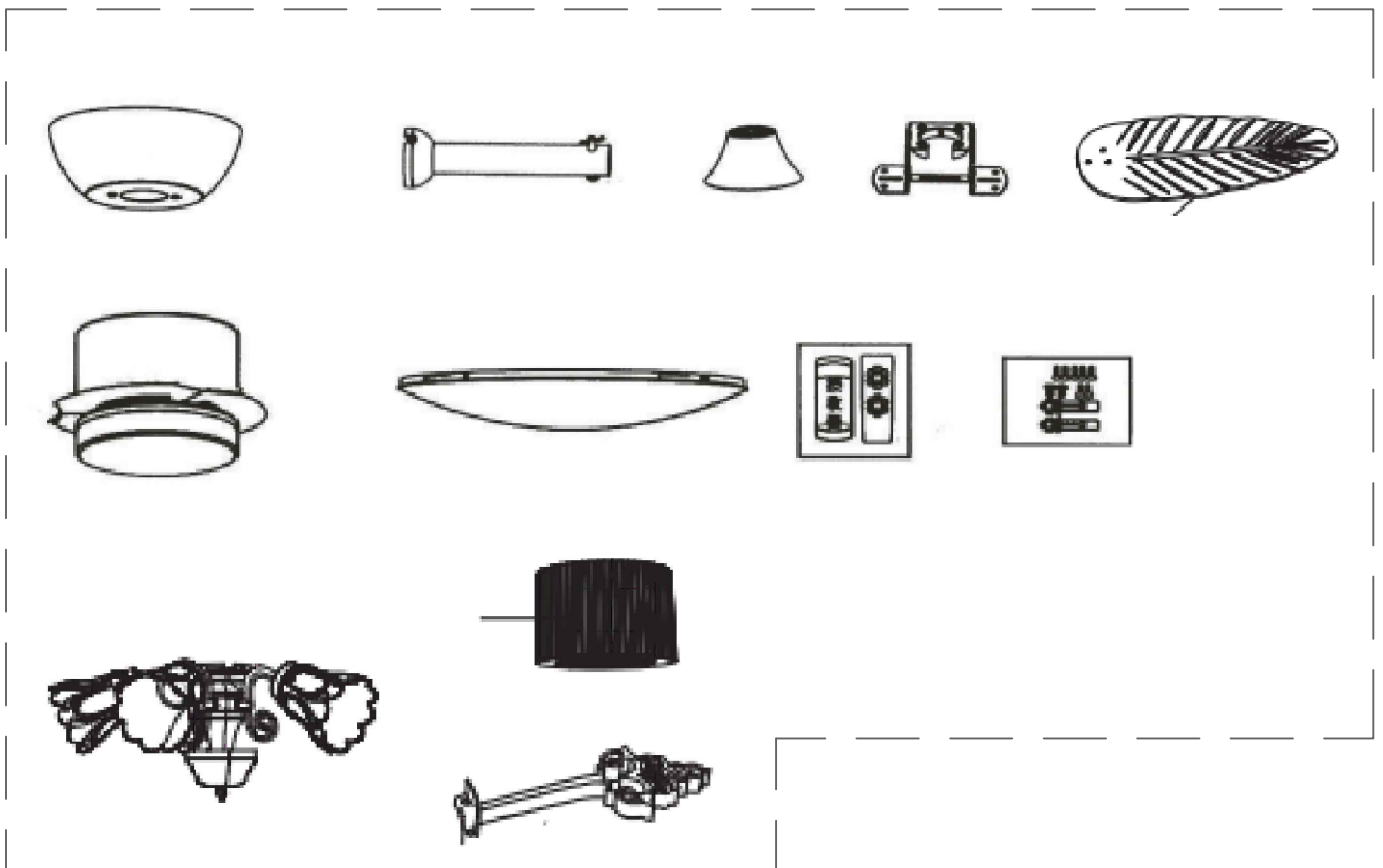
Cleaning Instructions: Do not use any chemical solvents or abrasive cleaners on the lampshade, as they may damage the finish. Use only a soft, dry cloth to remove dust.

1

Prepare the tool before installation

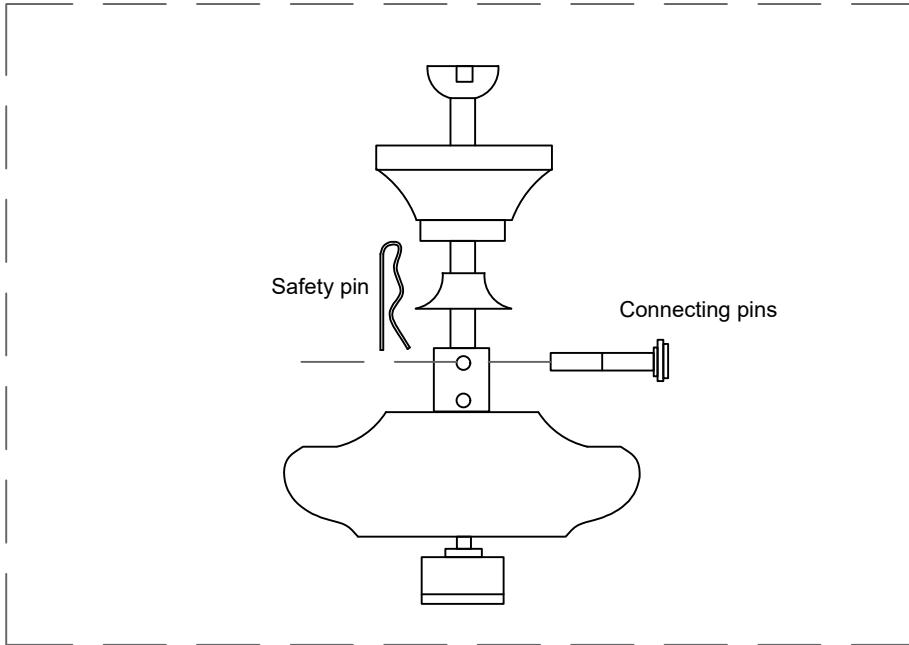


The components of the ceiling fan are as follows

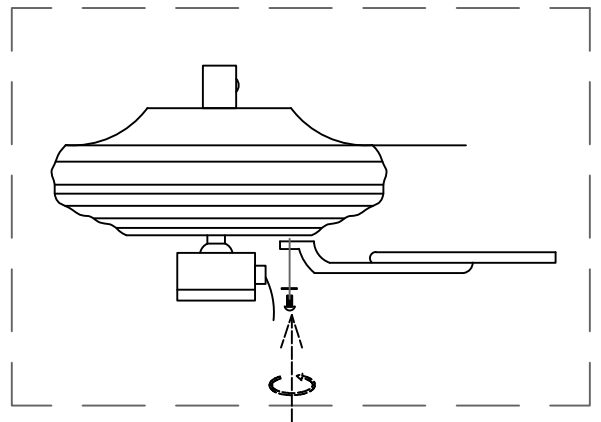
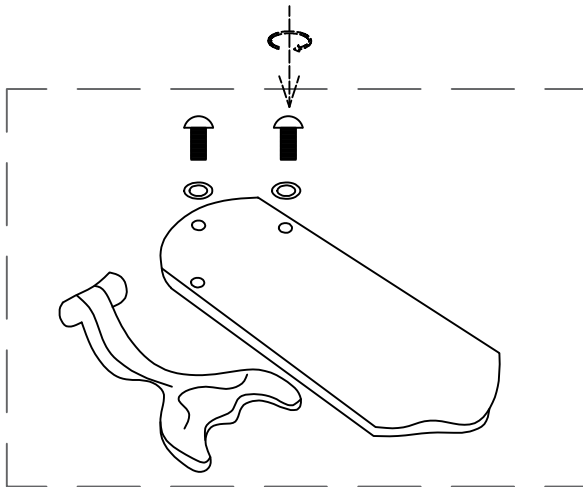


2

Install the hanging pipe

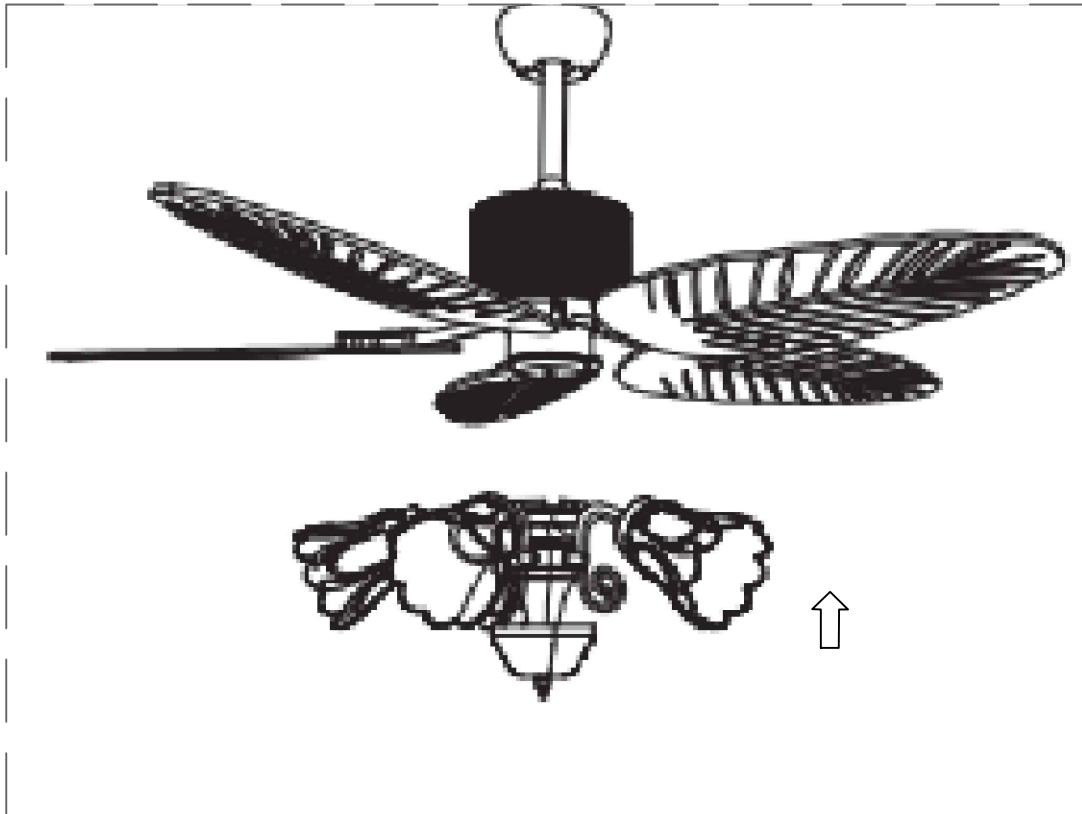


Install blades



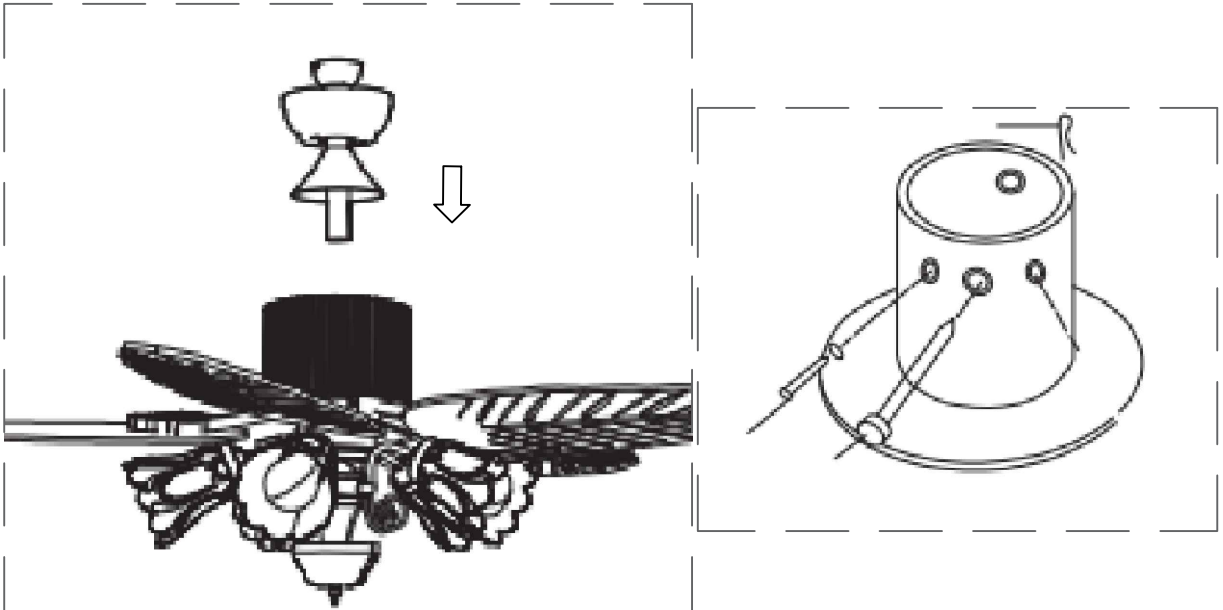
3

Install the lamp body



1. Connect the corresponding wires at the bottom of the lamp to the motor.
2. Tighten the three screws on the edge of the switch cover.
3. Remove the decorative nut, nut, iron washer, and plastic ring that are locked onto the light tube.
4. Install the glass in sequence, and tighten the plastic washer, iron washer and nut.
5. Install the decorative frame and tighten the decorative nuts.

4



1) Choose a suitable drop bar based on the ceiling height; it can be 5 inches or 10 inches.

Pass the ceiling and decorative cover through the drop bar;

2) Remove the locking pin and the long pin, then remove the two lower rod fixing screws;

3) Fix the lower rod assembly to the fan body and lock the lower rod to the fan body with fixing screws.

4) Install the bracket onto the export box using screws, spring washers, and flat washers.

5) Hang the ball joint and fan on the bracket, ensuring that the guide pin of the bracket is installed in the groove of the ball joint.

6) Insert the remote control receiver between the bracket and the lower rod.

Connect to the terminal block.

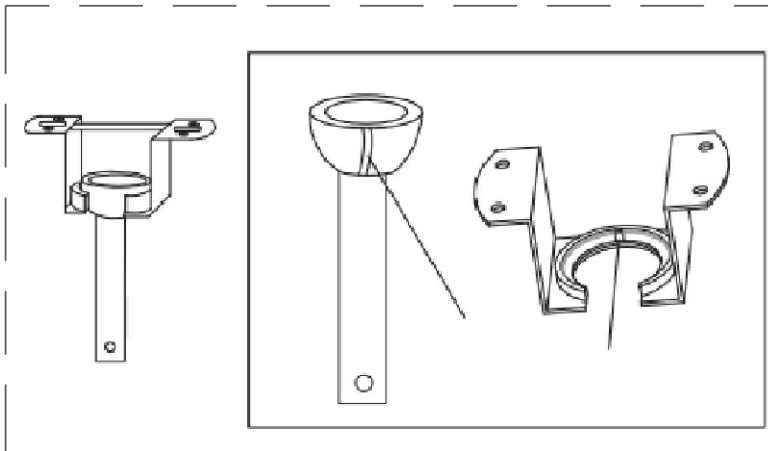
7) Connect the power supply and the wires on the bracket to the terminal blocks.

Connect the canopy to the bracket by aligning the canopy holes with the bracket holes in the following manner.

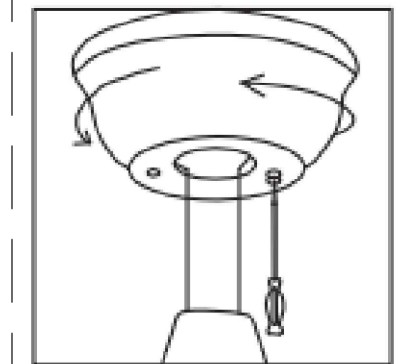
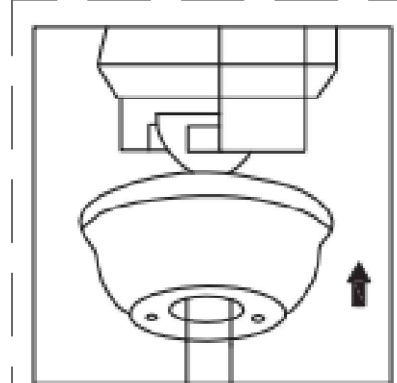
Secure the canopy to the bracket using fixing screws.

9) Install the blade support and blades with screws.

5



Place the crack in the hanger, rotate the tube so that the groove on the crack engages with the thread on the dome (inside the hanger). The earlobe joint must engage with the hanger earlobe.



Connect the power cord

