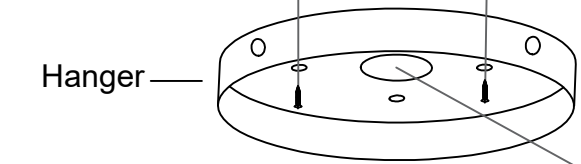


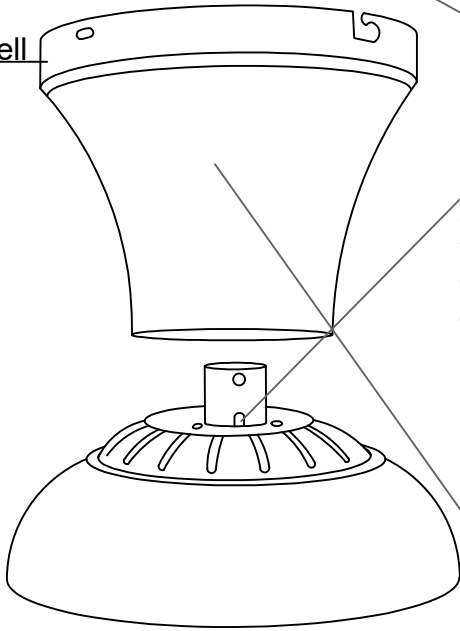
ceiling



1: The wooden ceiling is fixed to the ceiling using 4 self-tapping screws

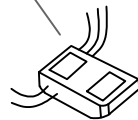
1: The cement ceiling is fixed to the ceiling with 2 expansion screws

Hanging Bell

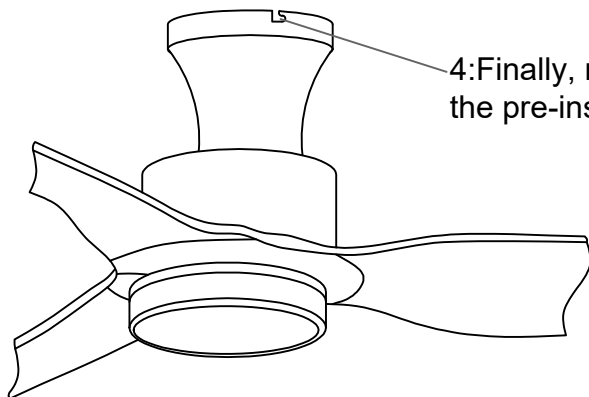
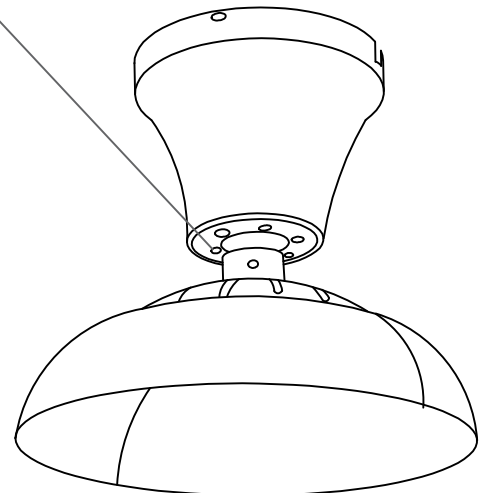


Home zero live wire reserved hole

2: Remove the three screws on the host and align them with the three small holes at the bottom of the pendant clock. Tighten the screws again to fix the pendant clock to the host.



3: Put the receiver into the pendant clock and connect the host to the neutral and live wires in your home.



4: Finally, rotate and fix the assembled fan light on the pre-installed hanger and tighten it with screws.