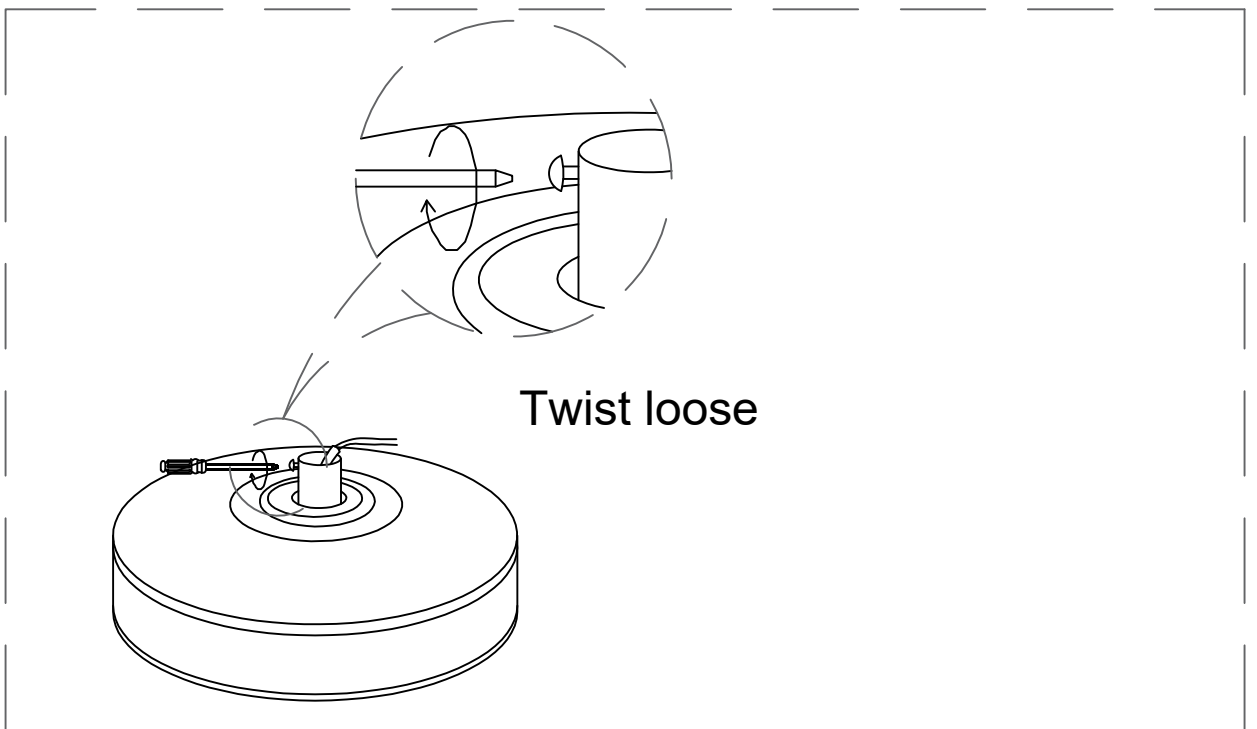
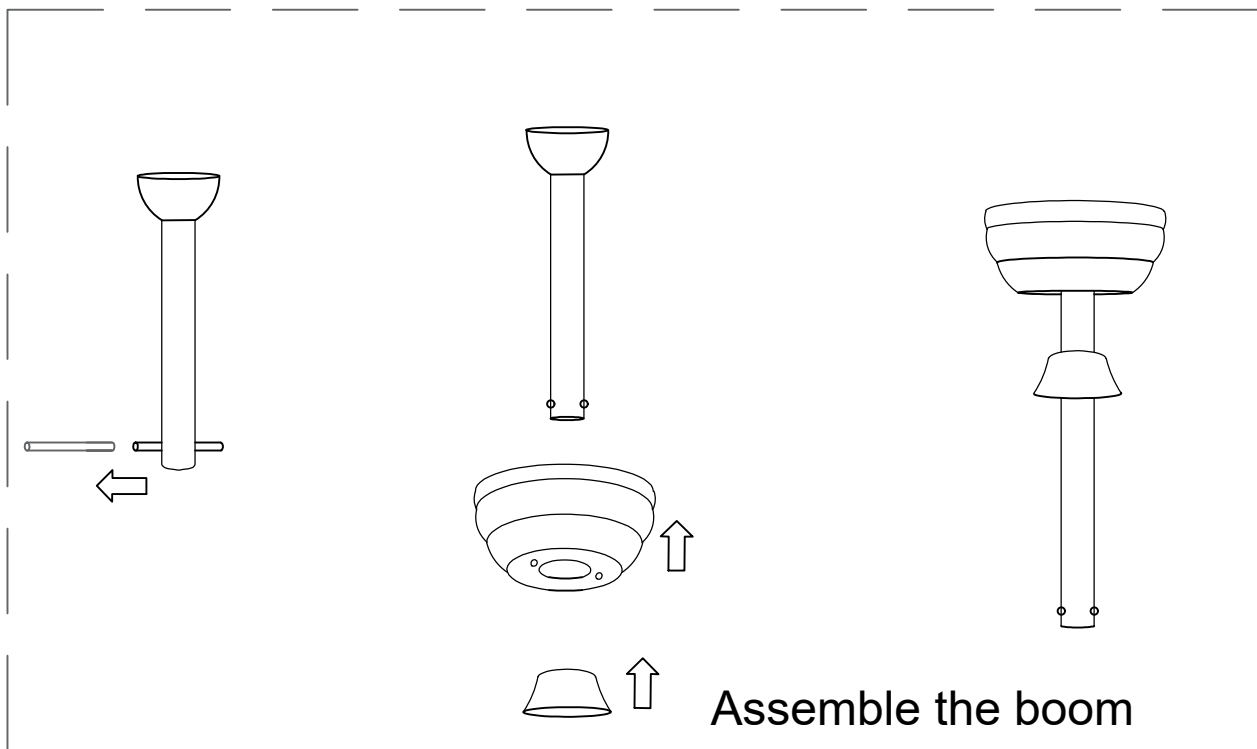
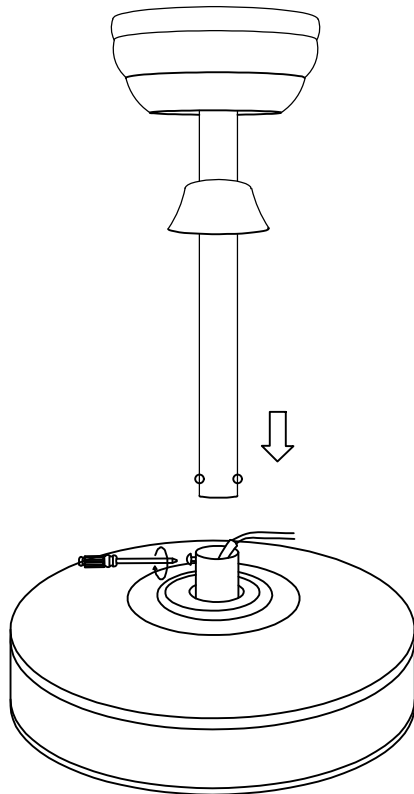


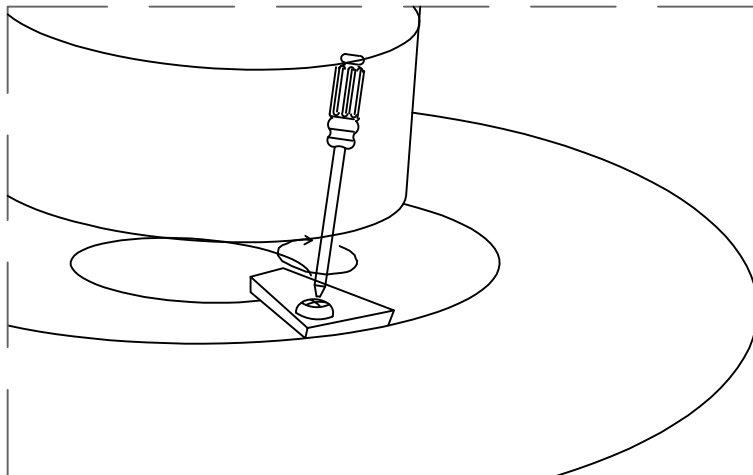
1



2

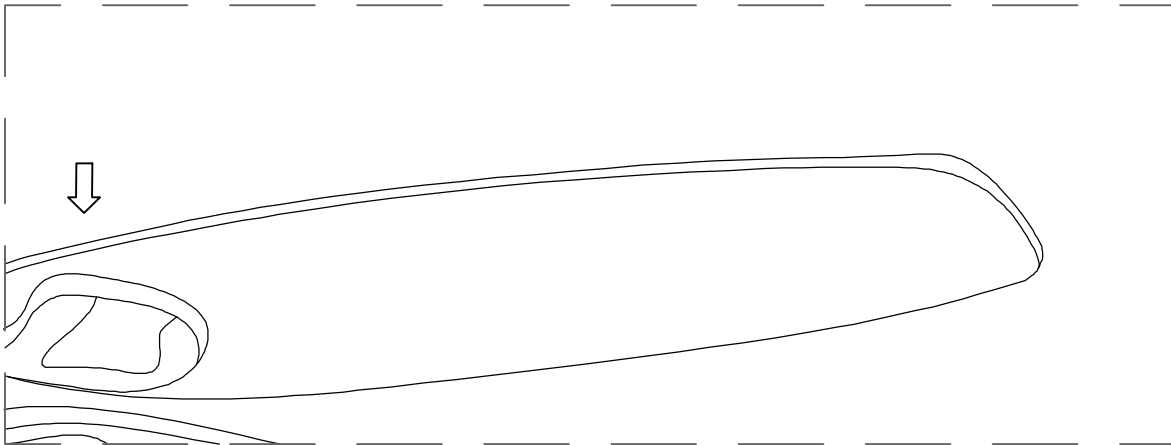
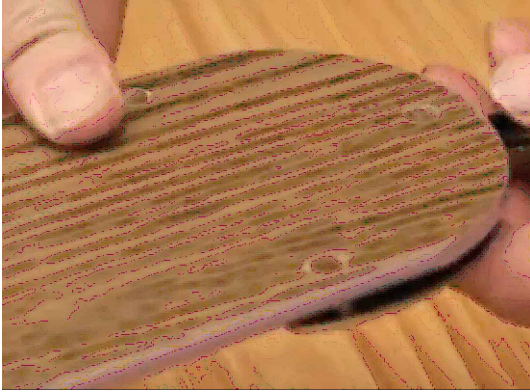


Assemble the boom  
and main unit



Remove the fixing tab

3



Assemble the fan blades

4



Lamp holder wiring and assembly

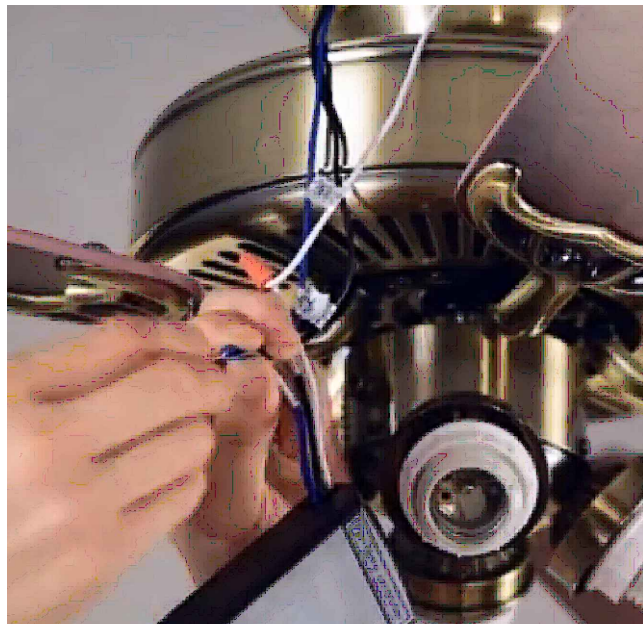


Mounting brackets

5

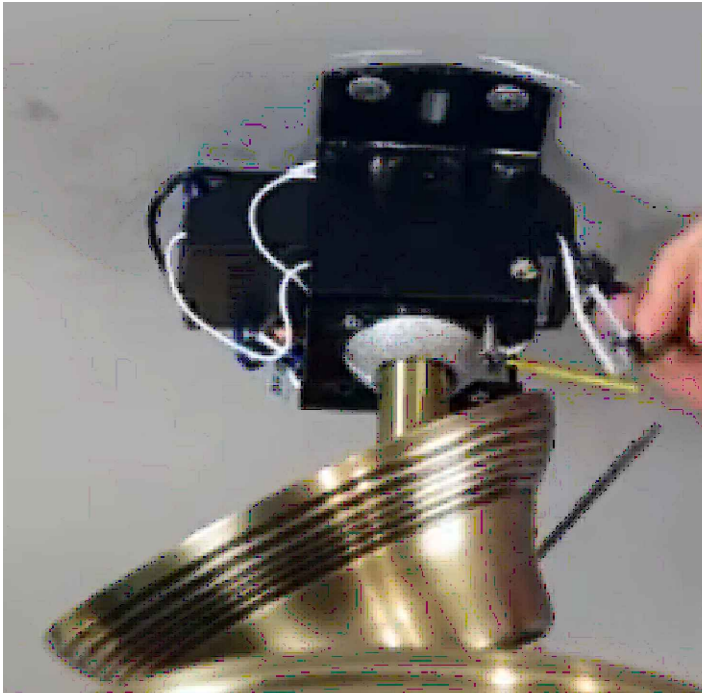


Align the gap and hang the lamp in



Motor wiring (refer to the label on the line one by one)

6

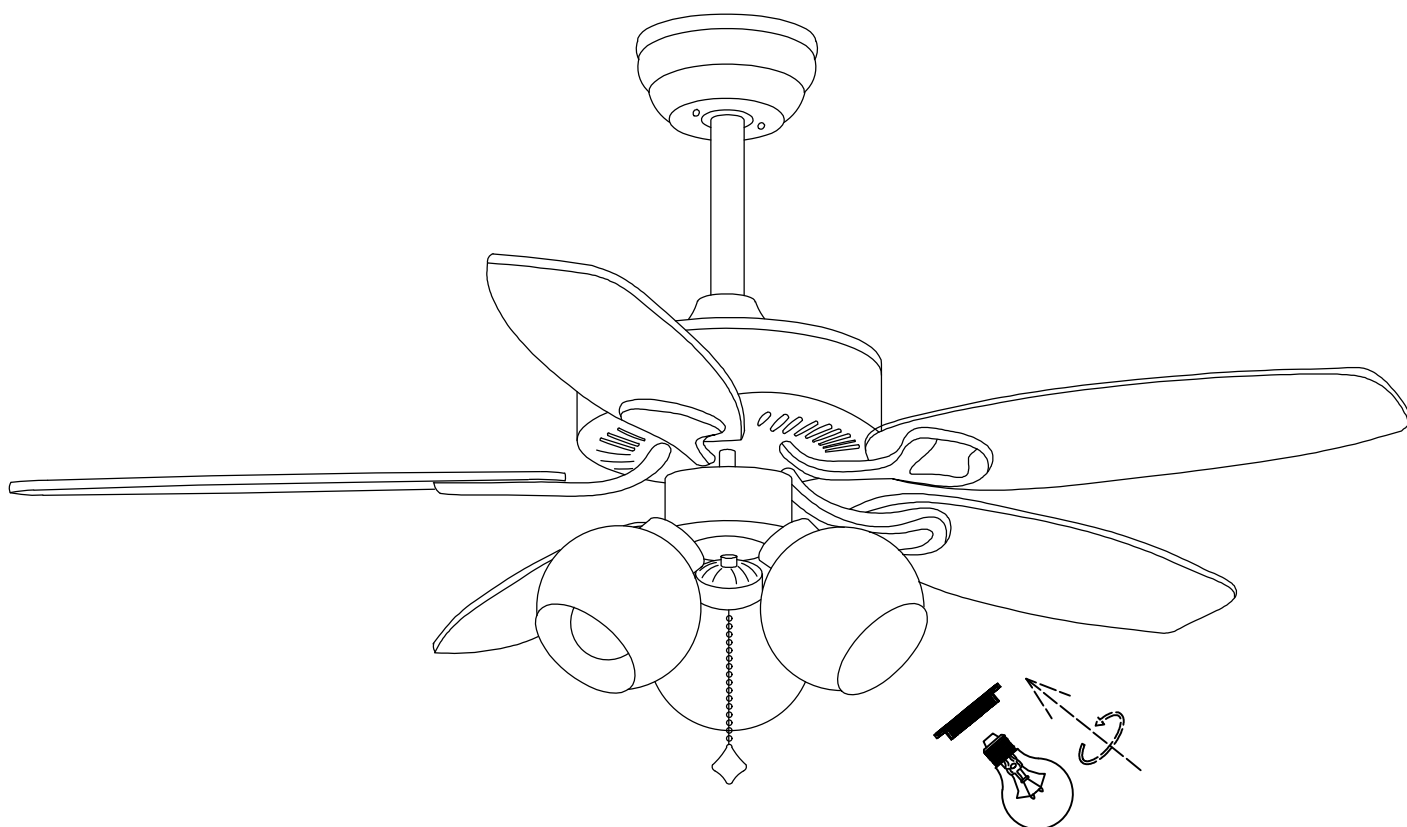


Tuck the control box into the bracket and wire it



Mounting base housing (alignment screw rotation)

7



Installing light source and lampshade