

SAFETY RULES

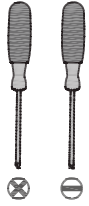
1. Always ensure power is completely disconnected before working. Simply turning off a light switch does not suffice—either remove the fuse or turn off the circuit breaker to avoid electrical hazards.
2. Installation should be handled solely by a professional and licensed electrician.
3. Ensure the mounting box and its supporting structure can reliably bear at least 50 pounds. Only use mounting boxes certified as UL (or CUL for Canadian installations) and labeled "FOR FAN SUPPORT".
4. Ensure a minimum gap of 7 feet from the tip of the fan blades to the ground.
5. If your fan has a reversing switch, do not change the direction while the blades are moving. Always halt the fan before making adjustments.
6. Never put any items or objects in the path of the rotating blades.
7. Exercise caution when maintaining or operating around the fan top to prevent personal injury or damage.
8. For cleaning purposes, refrain from using water or strong detergents. A simple dry or slightly damp soft cloth is adequate.
9. After connecting wires, ensure they are oriented upwards and securely placed inside the outlet box. Separate the grounded wire from the others.
10. Take note: provided electrical diagrams are general. Different fanlights might come with distinct shades and bulbs.
11. Strictly use the replacement parts provided by us. This device adheres to the class B digital device limits as per FCC Rules part.
12. This ensures minimal interference in residential setups. Incorrect installation may lead to unwanted radio communication disturbance.

INSTALL

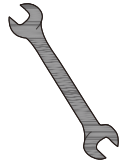
Tools You Need



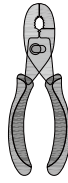
Ladder



Screwdrivers



11mm wrench



Pliers



Wire Strippers

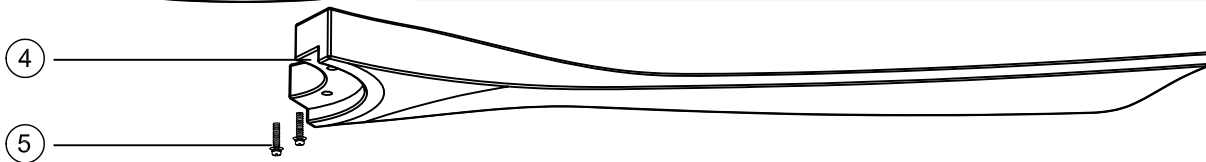
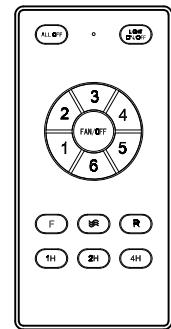
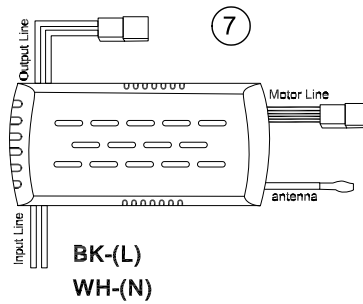
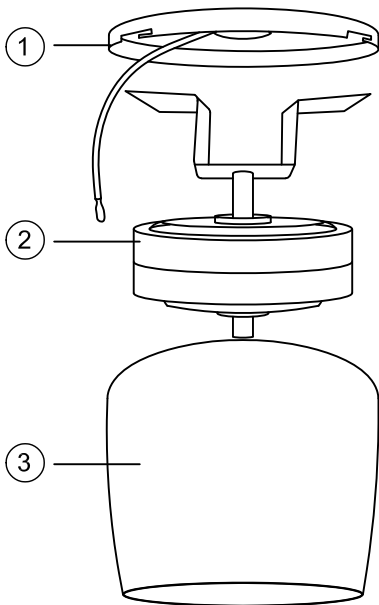


Power Drill
(optional)

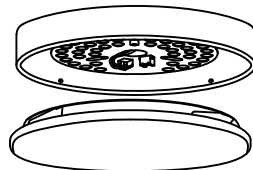


Drill Bit
(optional)

Half Hanging Type



or



Lamp cover + LED

Lampshade

9	10	11	12	13
Screw *6	Balance sticker *2	Explosion Screw *2	Gasket *2	Self-tapping screws *6

1.Hanger	2.Motor	3.Motor shel	4.Blade	5.Blade screw
6.Decorative cover	7.Receiver	8.Remote control	9.Screw	10.Balance sticker
11.Explosion screw	12.Gasket	13.Self-tapping screws		

Notes:

Other parts may be assembled together in the package.

INSTALL

INSTALL THE FAN

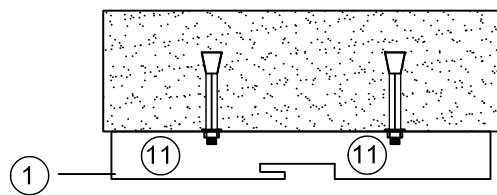
Tools Required Phillips Screwdriver, Pair of Pliers, Straight slot screwdriver, Adjustable Wrench, Step Ladder and Wire Cutters.

INSTALL THE MOUNTING BRACKET

To prevent personal injury and damage, ensure that the hanging location allows the blade a clearance of 7.5 feet (2.3metets)from the floor and 18 inches(45.72 centimeters)from any wall or obstruction.

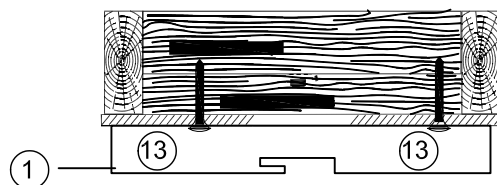
For the concrete ceiling: Mark the location for the ceiling fan first,then drill two holes in the ceiling to aid in securing ceiling bracket with two expansion screws provided, and secure the mounting bracket to the building structure with two expansion screws provided, tighten the screws.(Fig. 1)

(Fig. 1)



For the Wood Ceiling: Mark the location for the ceiling fan first, secure the mounting bracket to the building structure with four wood screws provided. (Fig.2)

(Fig. 2)



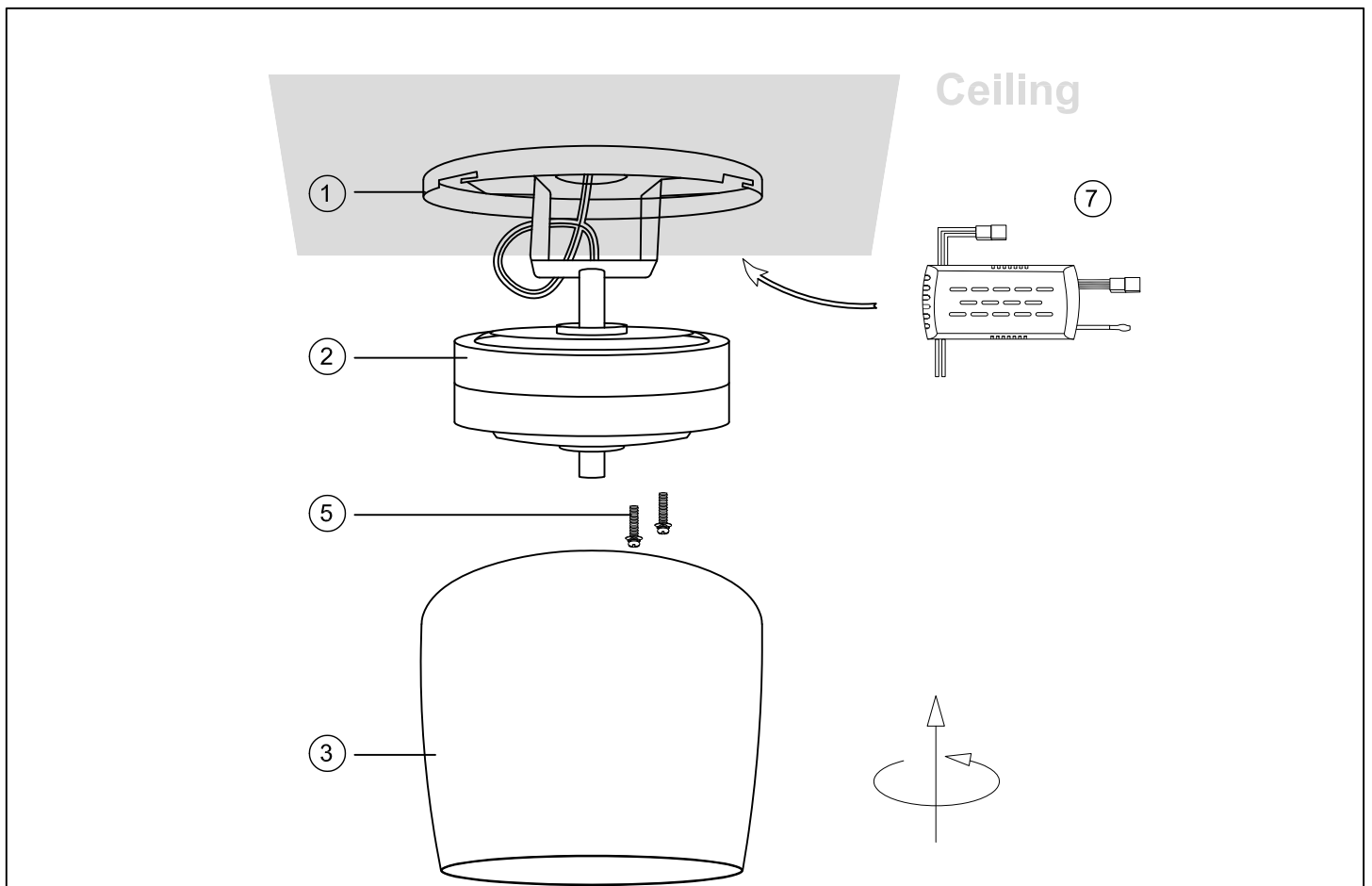
NOTE:Hanger after the installation must be able to withstand the weight of 45 kgs or more.

INSTALL

INSTALLING RECEIVER

NOTE: Hanger after the installation must be able to install ceiling fan, follow the steps below.

1. Install the motor: unscrew the four screws of the ceiling mounting bracket, connect the motor to the ceiling mounting bracket and lock it with the screws.
2. Install the remote control: Connect the wires on the motor and the wires on the receiver to the corresponding colors.
(Please refer to the remote control manual.)
3. Install the shell: put the shell on the motor, rotate it to the right, and clamp it on the mounting bracket.

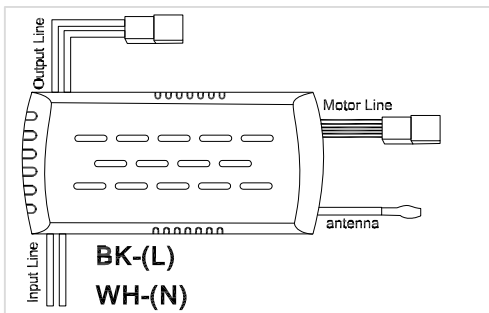
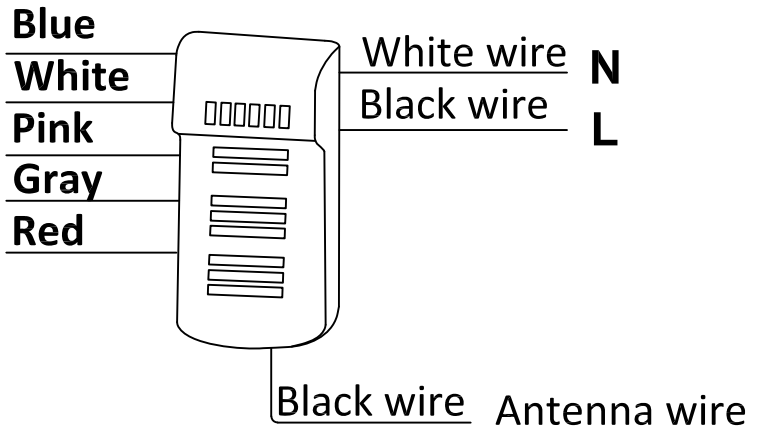


INSTALL

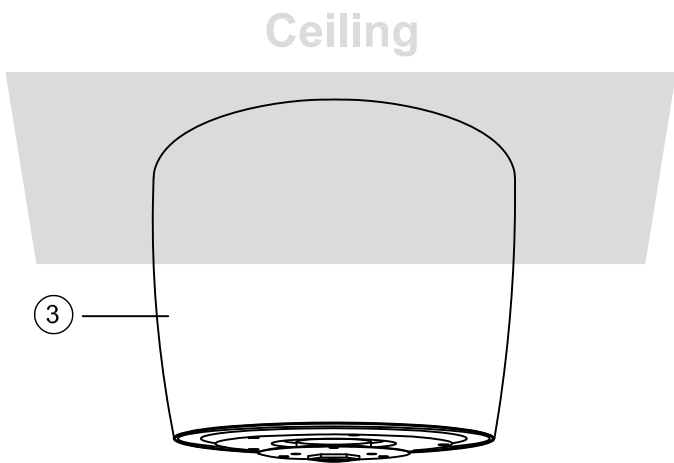
MAKE THE ELECTRIC CONNECTIONS

Note: the remote receiver must match the same code control .

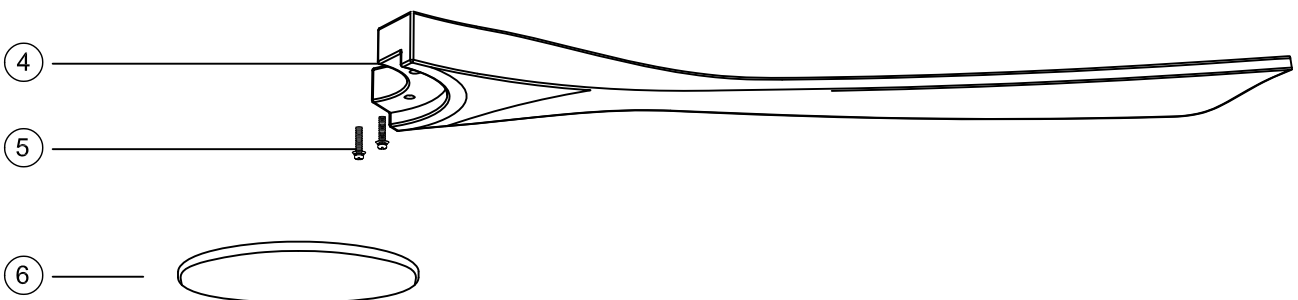
Light live-wire
Light neutral-wire
To motor wire
To motor wire
To motor wire



INSTALLATION WITHOUT LAMP



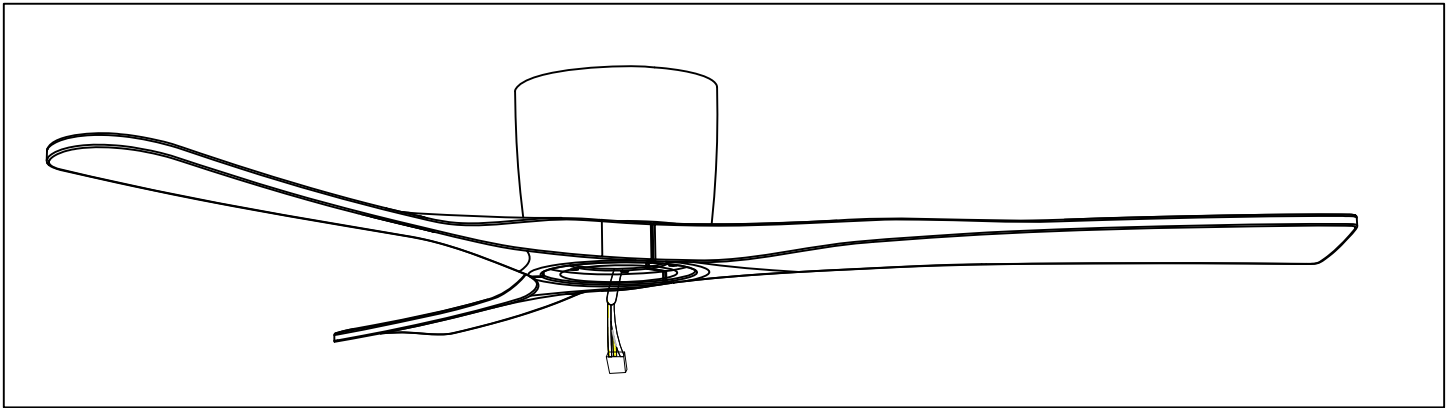
4. Install the blade: lock the fan blade on the motor with screws, and lock the three blades in turn.
5. Install the decorative cover: Tighten the decorative cover onto the motor.
6. complete the installation.



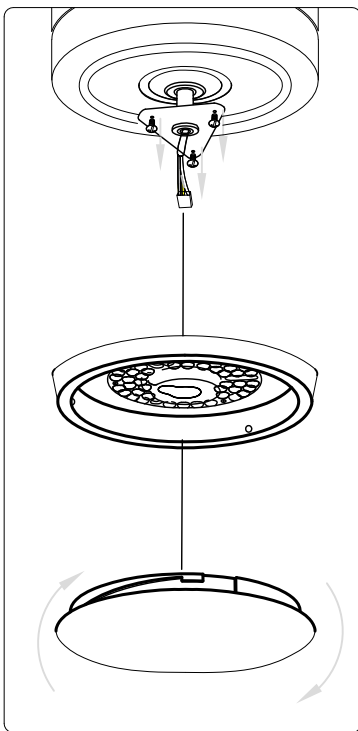
INSTALL

INSTALLATION WITH LAMP

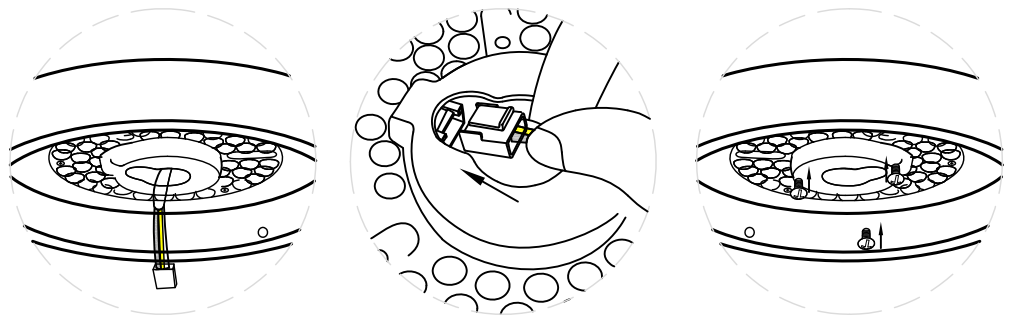
1. After locking the blade, install the lamp kit. (Do not install the blade in the opposite direction)
2. After locking the lamp kit insert the LED wire ends.
3. Last step: rotate the glass to the right to tighten it and check whether it is loose. Complete the installation.

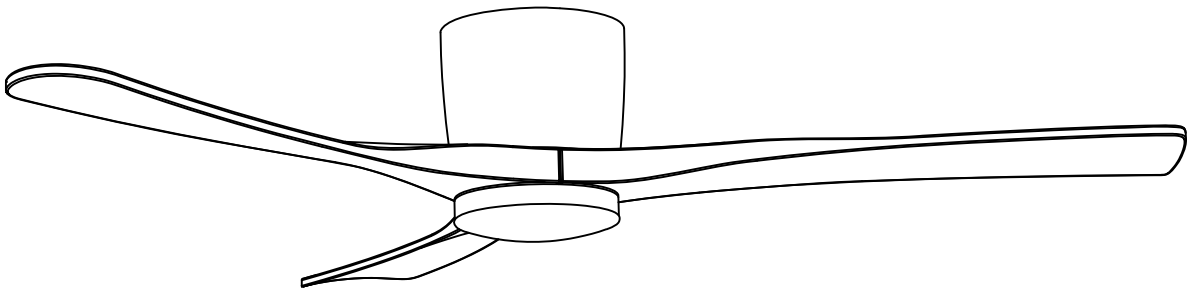


Installation details



Connect the light fixture. Unscrew the 3 screws from the center triangle as shown, insert the light wires with connector through the light fixture's middle hole and plug into the light, then use these 3 screws to fix the light fixture onto the center triangle. Install the lamp shade by twisting it clockwise.





Warm Tips: Ceiling Fan Maintenance

1, because the ceiling fan is functioning product, so please regularly check the hanger, blade, leaf frame and various other parts are loose, And timely fastening it to ensure safety.

2, regular cleaning of the ceiling fan, only wipe lightly with a soft brush or lint-free cleaning cloth, do not use a damp cloth or other Destructive cleaning agents.

3, can not be any part of this product to add oil or lubricant.