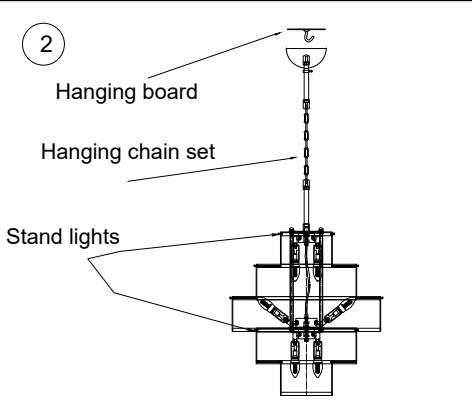


- 1 Drill holes in the ceiling first according to the hole spacing of the hanging board
- 2 Insert the plastic expansion screw
- 3 Drive the self-tapping screws through the holes in the hanging board and into the plastic expansion screws to fix the hanging board.
- 4 Connect the wires
- 5 Connect the bucket ring to the boom and hang it on the hook, push the semicircle up and secure it with the ring.



- 1 According to the picture above, the lamp body is installed
- 2 Install the bulb
- 3 Hang the entire lamp body on the ceiling
- 4 Hang glass pieces



Warning: In order to prevent accidents that threaten personal safety such as lamp damage, falling, electric shock, and fire! This product must be installed by a professional electrician in strict accordance with the instructions! Make sure each connection is secure.