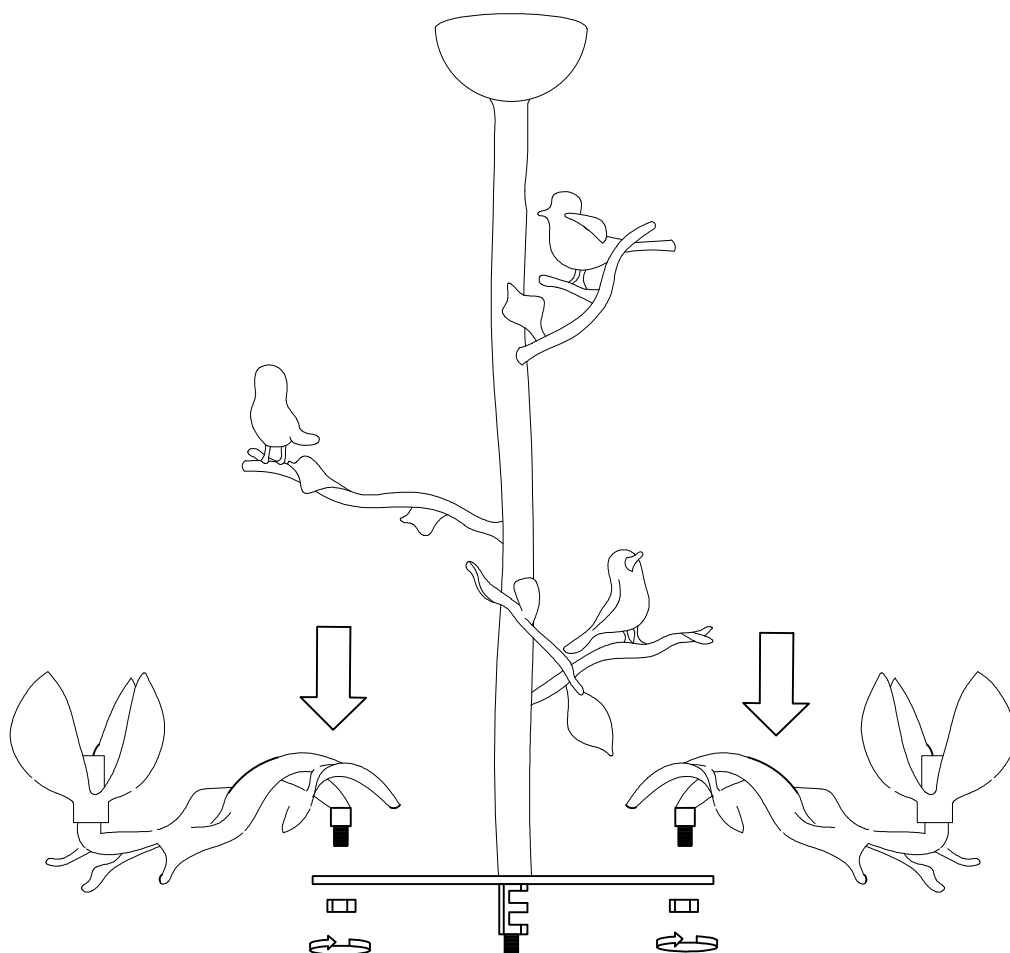


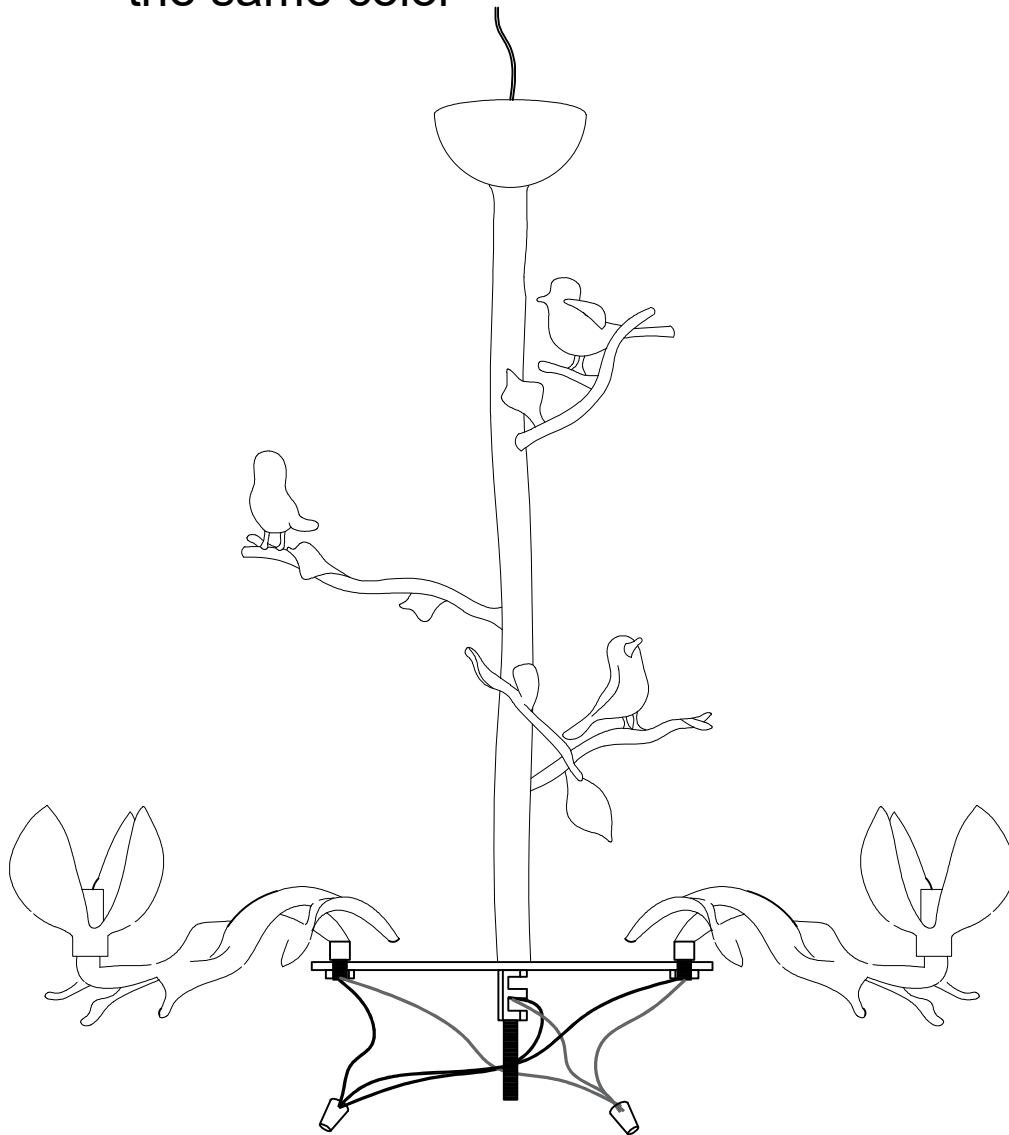
1



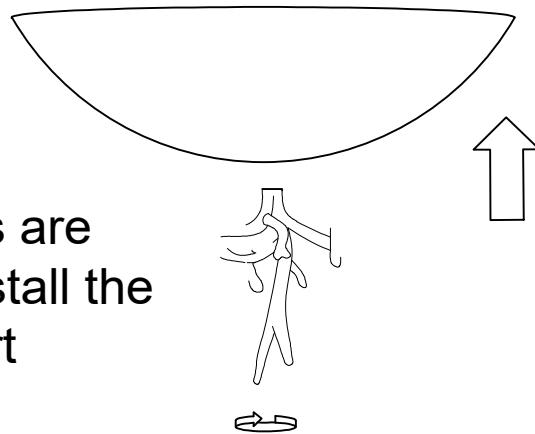
The lamp arm is locked to the lamp body

2

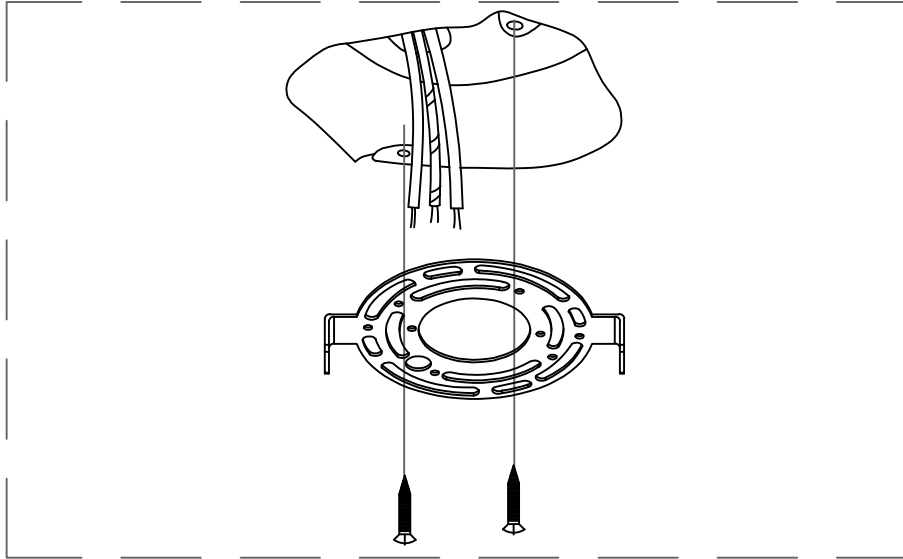
The main line is connected to the wires of the same color



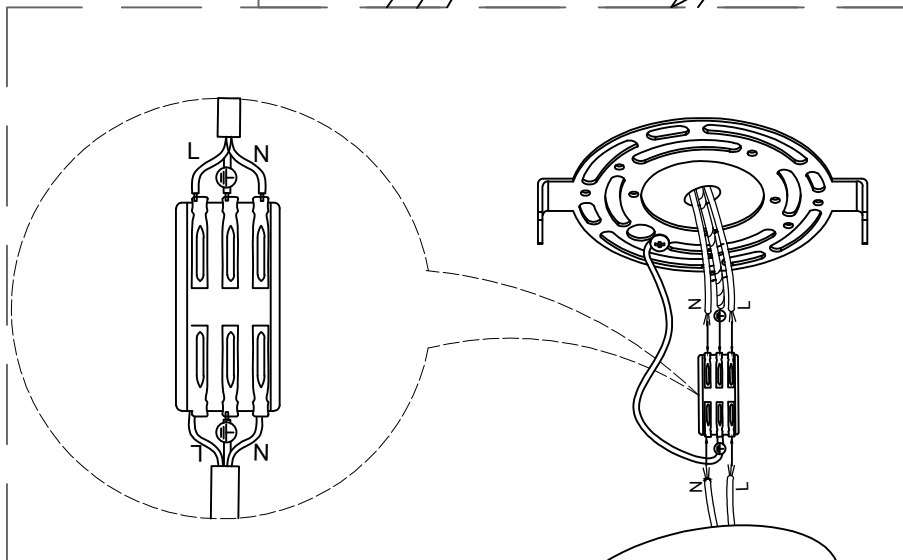
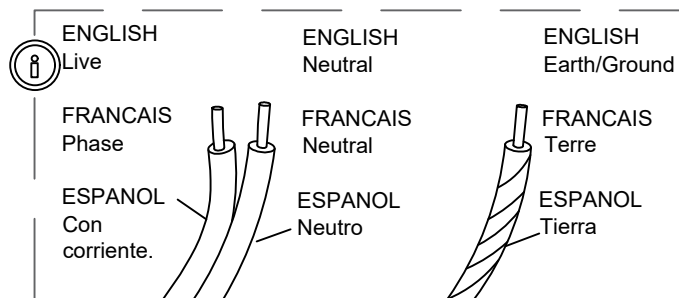
After the wires are connected, install the bottom support



3



Fasten the hanging board to the ceiling with screws



The wires in the home are connected to the wires in the lamps through the wire terminals

4

