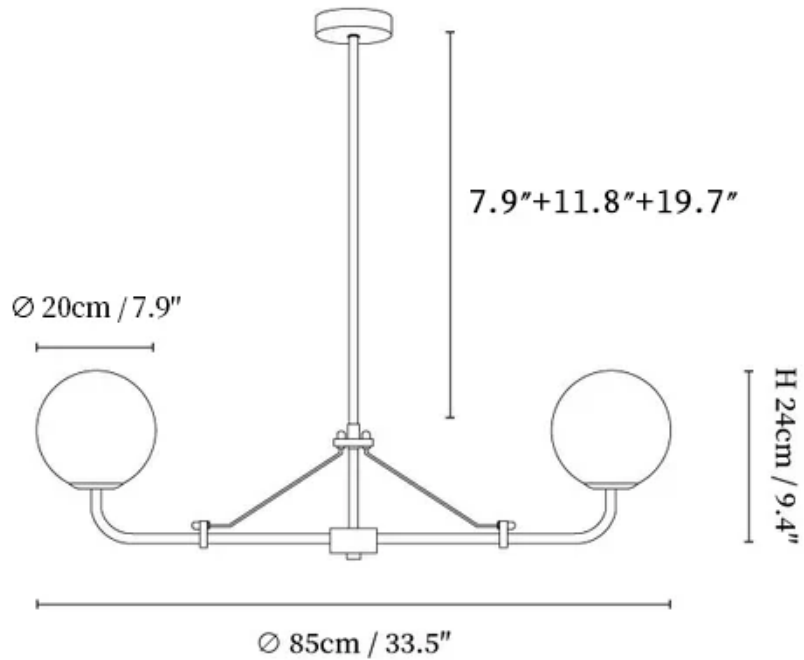


# SPECIFICATION SHEET

---



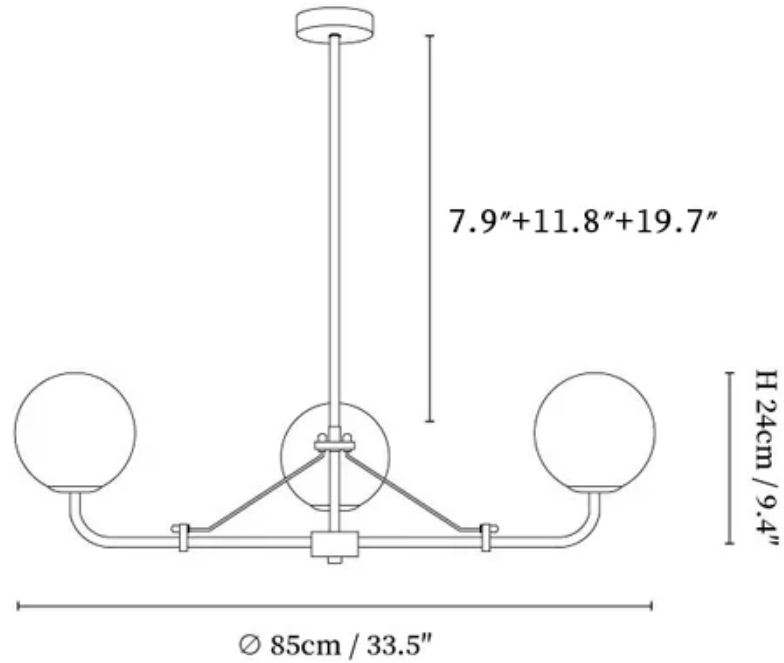
## SPECIFICATION DETAILS

\*For custom options, consult factory for details

<b>Fixture Dimensions</b>	$\varnothing 33.5'' \times H 9.4''$
<b>Light source</b>	E26 or E27.
<b>Wattage</b>	MAX 40W incandescent bulb or LED equivalent.
<b>Voltage</b>	AC 110-240V
<b>Mounting</b>	Hardwired.
<b>Dimming</b>	Compatible with dimmable bulbs (bulb not included)
<b>Control method</b>	Compatible with common wall switches(not included)
<b>Finishes</b>	Gold.
<b>Shade Details</b>	White.
<b>Material</b>	Metal, Glass.
<b>Rod Length</b>	Suspension rod is $7.9'' + 11.8'' + 19.7''$ , and can be spliced as needed.

# SPECIFICATION SHEET

---



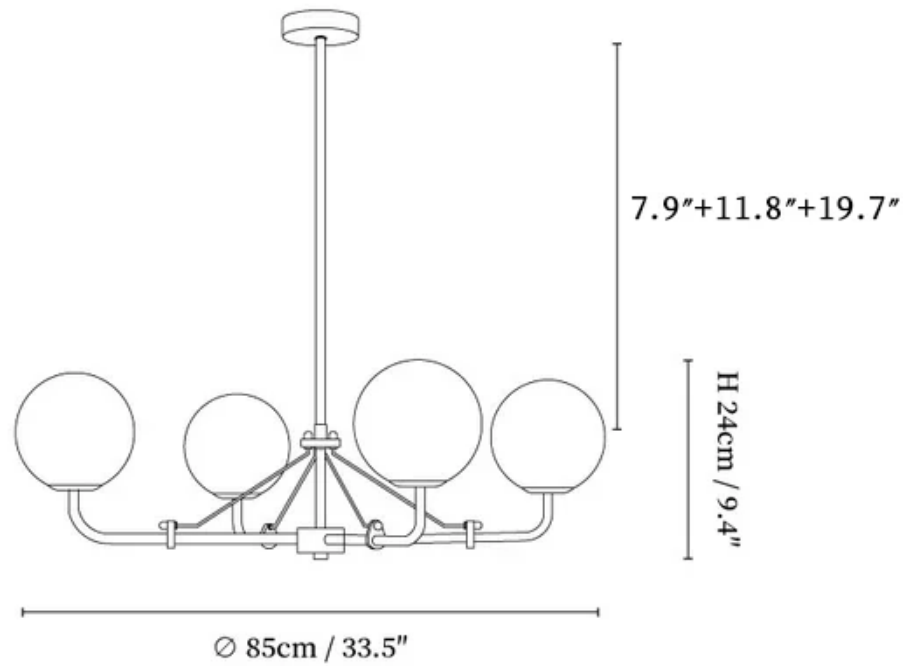
## SPECIFICATION DETAILS

\*For custom options, consult factory for details

<b>Fixture Dimensions</b>	$\varnothing 33.5'' \times H 9.4''$
<b>Light source</b>	E26 or E27.
<b>Wattage</b>	MAX 40W incandescent bulb or LED equivalent.
<b>Voltage</b>	AC 110-240V
<b>Mounting</b>	Hardwired.
<b>Dimming</b>	Compatible with dimmable bulbs (bulb not included)
<b>Control method</b>	Compatible with common wall switches (
<b>Finishes</b>	Gold.
<b>Shade Details</b>	White.
<b>Material</b>	Metal, Glass.
<b>Rod Length</b>	Suspension rod is $7.9'' + 11.8'' + 19.7''$ spliced as needed.

# SPECIFICATION SHEET

---



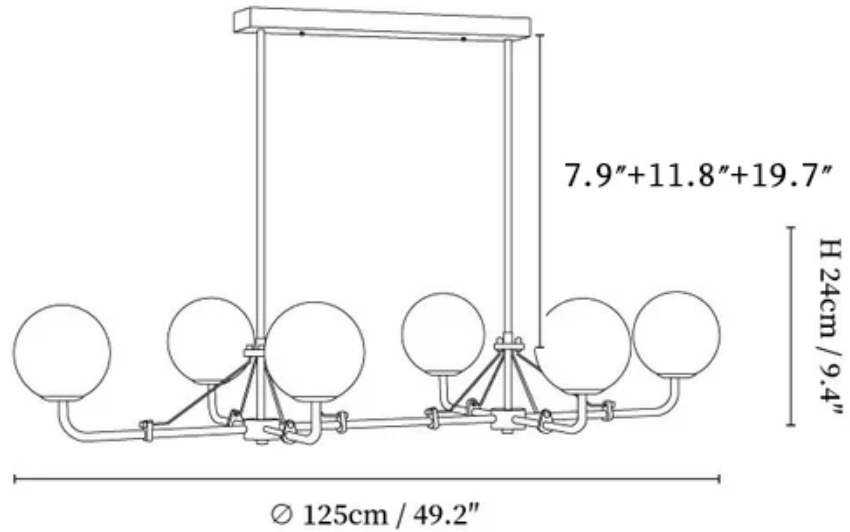
## SPECIFICATION DETAILS

\*For custom options, consult factory for details

<b>Fixture Dimensions</b>	Ø 33.5" x H 9.4"
<b>Light source</b>	E26 or E27.
<b>Wattage</b>	MAX 40W incandescent bulb or LED equivalent.
<b>Voltage</b>	AC 110-240V
<b>Mounting</b>	Hardwired.
<b>Dimming</b>	Compatible with dimmable bulbs (bulb not included)
<b>Control method</b>	Compatible with common wall switches(
<b>Finishes</b>	Gold.
<b>Shade Details</b>	White.
<b>Material</b>	Metal, Glass.
<b>Rod Length</b>	Suspension rod is 7.9" +11.8" +19.7", spliced as needed.

# SPECIFICATION SHEET

---



## SPECIFICATION DETAILS

\*For custom options, consult factory for details

<b>Fixture Dimensions</b>	L 49.2" x H 9.4"
<b>Light source</b>	E26 or E27.
<b>Wattage</b>	MAX 40W incandescent bulb or LED equivalent.
<b>Voltage</b>	AC 110-240V
<b>Mounting</b>	Hardwired.
<b>Dimming</b>	Compatible with dimmable bulbs (bulb not included)
<b>Control method</b>	Compatible with common wall switches (
<b>Finishes</b>	Gold.
<b>Shade Details</b>	White.
<b>Material</b>	Metal, Glass.
<b>Rod Length</b>	Suspension rod is 7.9" +11.8" +19.7" spliced as needed.