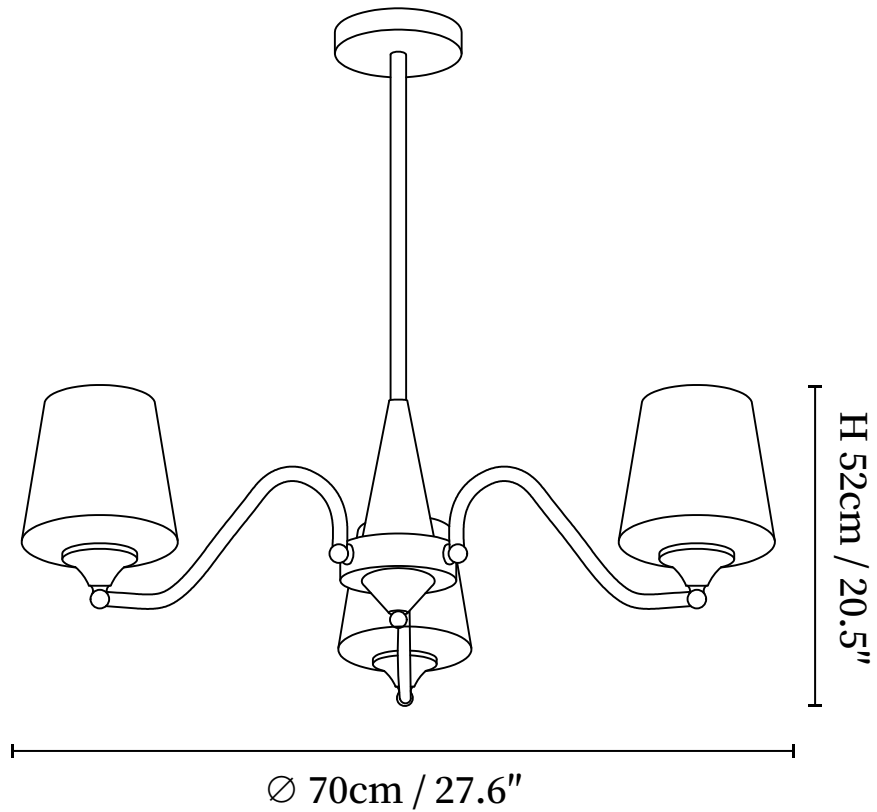


SPECIFICATION SHEET

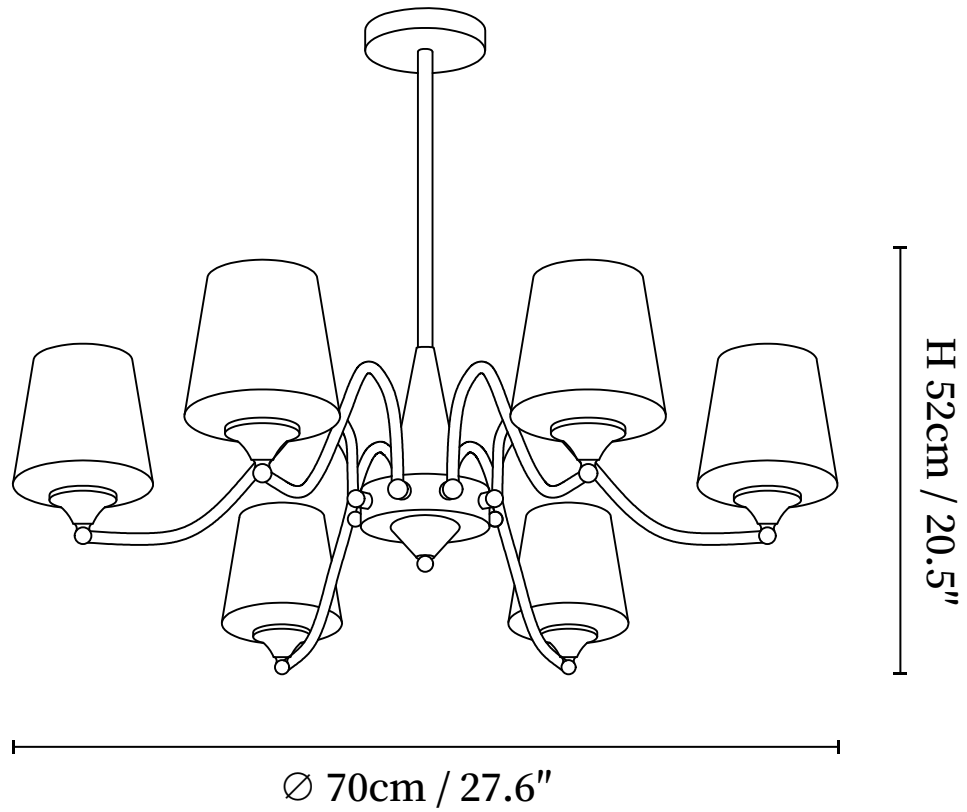


SPECIFICATION DETAILS

*For custom options, consult factory for details

| | |
|---------------------------|--|
| Fixture Dimensions | D 27.6" x H 20.5" (3heads) |
| Light source | E26 or E27 (bulb not included) |
| Wattage | MAX 40W incandescent bulb or LED equivalent. |
| Voltage | AC 110-240V |
| Mounting | Hardwired. |
| Dimming | Compatible with dimmable bulbs (bulb not included) |
| Control method | Compatible with common wall switches (not included) |
| Finishes | Brown. |
| Shade Details | White. |
| Material | Metal, Glass |
| Rod Length | Suspension rod is 19.7", and can be spliced as needed. |

SPECIFICATION SHEET

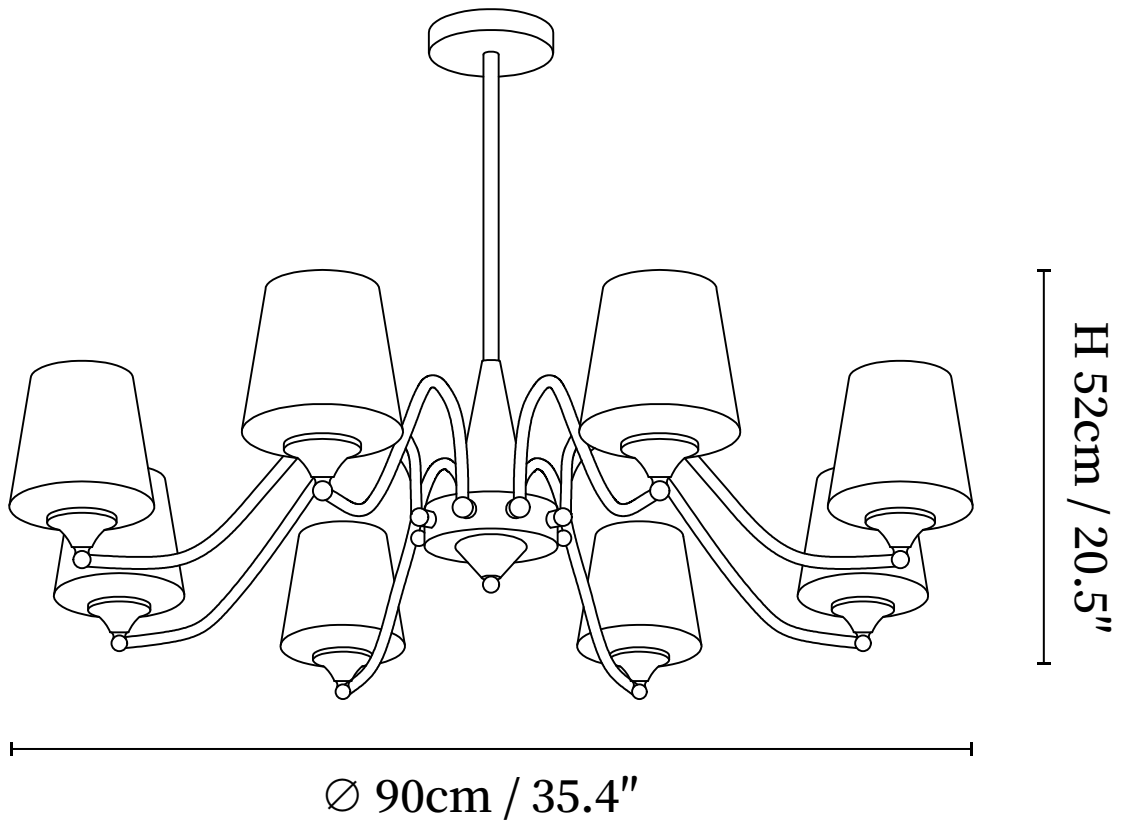


SPECIFICATION DETAILS

*For custom options, consult factory for details

| | |
|---------------------------|--|
| Fixture Dimensions | D 27.6" x H 20.5" (6heads) |
| Light source | E26 or E27 (bulb not included) |
| Wattage | MAX 40W incandescent bulb or LED equivalent. |
| Voltage | AC 110-240V |
| Mounting | Hardwired. |
| Dimming | Compatible with dimmable bulbs (bulb not included) |
| Control method | Compatible with common wall switches(not included) |
| Finishes | Brown. |
| Shade Details | White. |
| Material | Metal, Glass |
| Rod Length | Suspension rod is 19.7", and can be spliced as needed. |

SPECIFICATION SHEET



SPECIFICATION DETAILS

*For custom options, consult factory for details

| | |
|---------------------------|--|
| Fixture Dimensions | D 35.4" x H 20.5" (8heads) |
| Light source | E26 or E27 (bulb not included) |
| Wattage | MAX 40W incandescent bulb or LED equivalent. |
| Voltage | AC 110-240V |
| Mounting | Hardwired. |
| Dimming | Compatible with dimmable bulbs (bulb not included) |
| Control method | Compatible with common wall switches(not included) |
| Finishes | Brown. |
| Shade Details | White. |
| Material | Metal, Glass |
| Rod Length | Suspension rod is 19.7", and can be spliced as needed. |