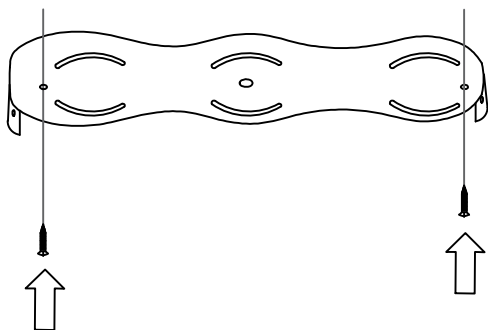
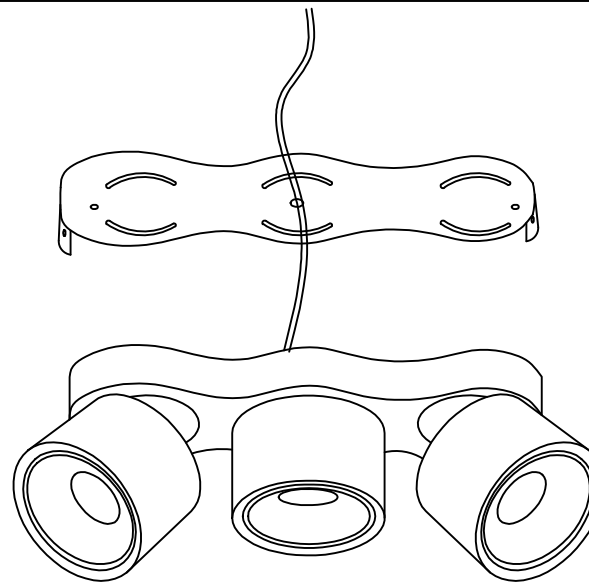


1



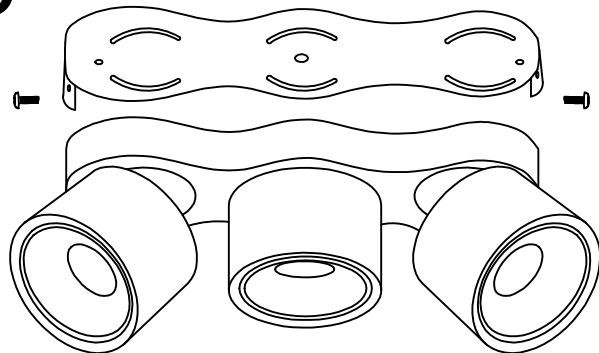
The ceiling tray is mounted on the ceiling with screws

2



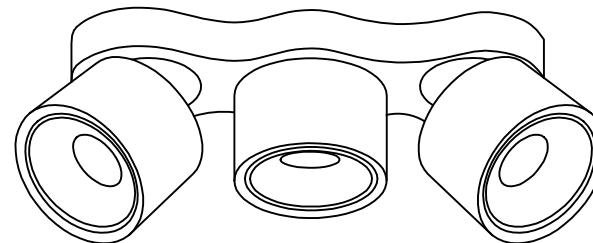
Connected power supply power-on test

3



Merge the ceiling discs of the luminaires together and lock them with the side screws

4



The installation is complete, and the lights are turned on for testing