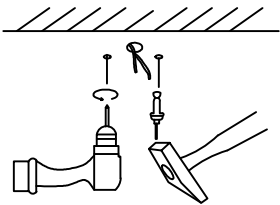
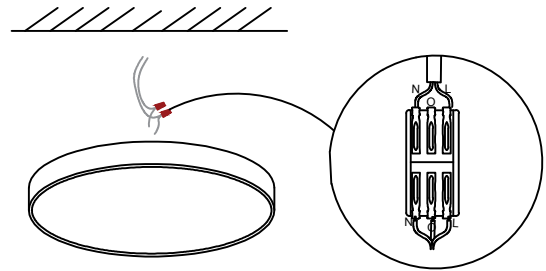


1



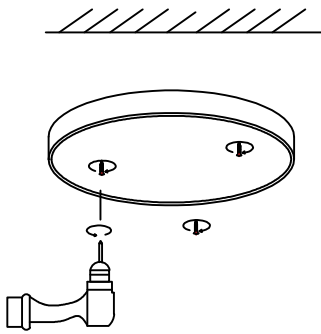
Drill holes in the ceiling and
insert expansion screws

2



The electric wires in the home
connect to the light fixtures

3



Screw the lamp body to the ceiling

4

