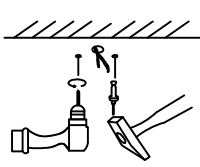
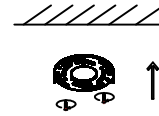


1



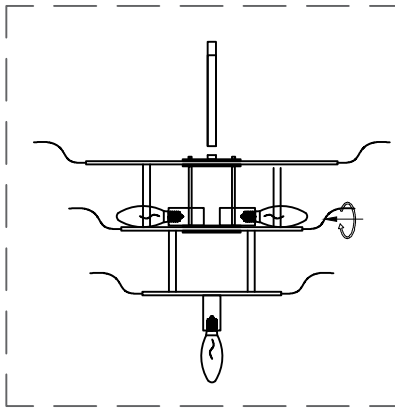
Drill holes in the ceiling and
insert expansion screws

2



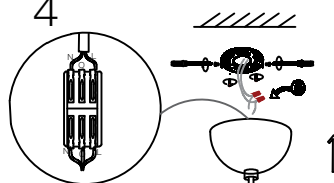
Install the hanging
plate on the ceiling

3

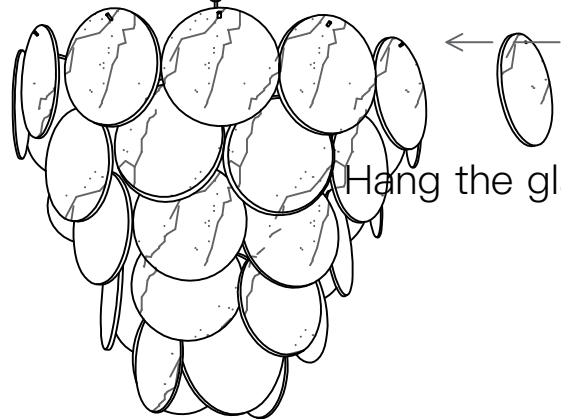


Mounting lamp body

4



The electric wires in the home
connect to the light fixtures



Hang the glass

Install the lamp body on the
hanging plate